



BOSCH

Rotary tool

7350 | F 013 735 000

Table of Content

Spare parts list.....	2
Lubrication instructions for product.....	3
Product information.....	4
Illustration - Type.....	5

Spare parts list

Item	Part Number	Description	Illustration	Price	Quantity	Price Group
4	1 605 A00 0CT	Electronic Assembly	1	-	1	
8	1 605 A00 0CW	Label	1	-	1	
22	1 600 A01 A54	Dust seal	1	\$0.80 *	1	10
23	1 605 A00 0D0	Switch Actuator	1	-	1	
24	1 600 A01 8W9	Battery	1	-	1	
25	2 610 013 397	Screw	1	\$0.80 *	6	10
26	2 610 031 890	Pad	1	-	1	
27	2 610 052 109	O-Ring	1	-	4	
31	2 610 014 582	Nut	1	\$1.32 *	1	11
32	2 615 110 480	contour sleeve 1/8"	1	\$1.32 *	1	11
653	2 615 051 0AA	Charger Dremel 510 USA / 100-120V / 5V / 1A	1	\$5.05 *	1	18
655	2 610 930 692	Chuck Wrench	1	\$2.00 *	1	13
801	1 605 A00 0HV	Housing Assembly	1	-	1	
802	1 605 A00 0HX	Motor assembly	1	-	1	
828	1 605 A00 048	shaft lock	1	\$0.80 *	1	10

* Prices shown are suggested retail prices

Lubrication instructions for product : Rotary tool - 7350 - F 013 735 000

NO Lubrication instructions available for this product

Product information : Rotary tool - 7350 - F 013 735 000

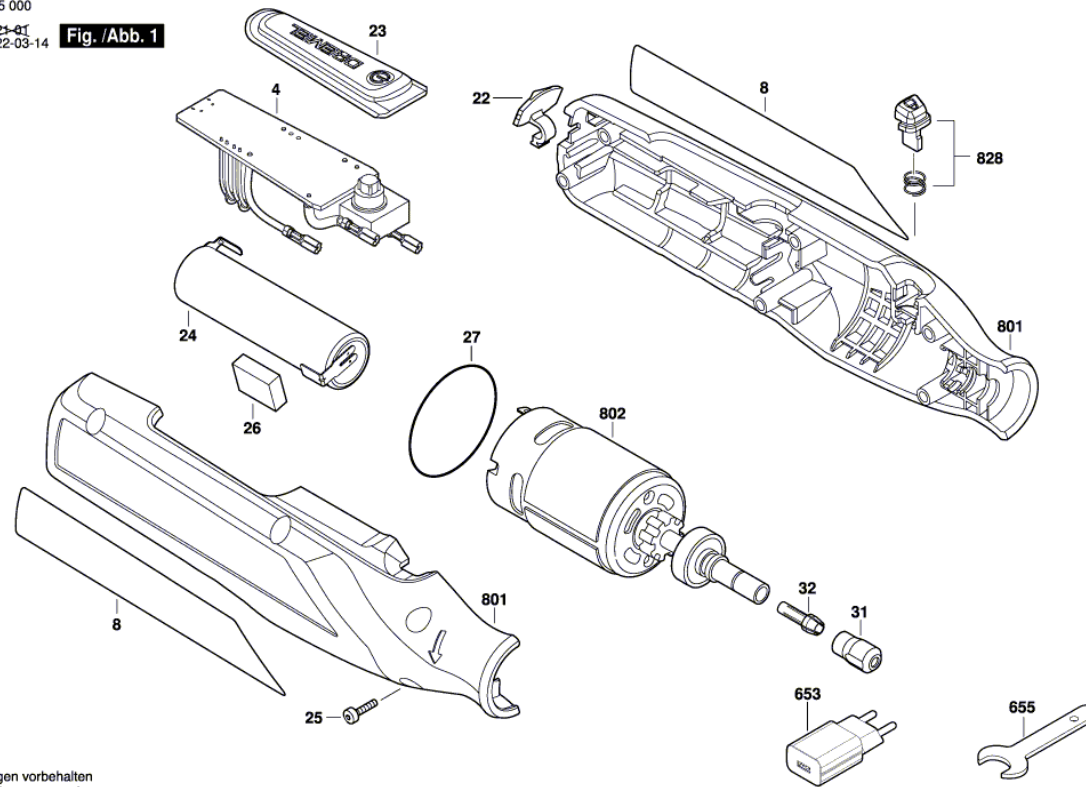
Product No	F 013 735 000
Description	Rotary tool
DIN-Text	
ID_Text_Ext	
Tool name	7350
Voltage_1	3.6 V
ID Country Product	USA

Illustration - Type - E

F 013 735 000

Stand } 21-01
Issue } 22-03-14

Fig./Abb. 1



Änderungen vorbehalten
Modifications reserved
Modifications réservées
Salvo modificaciones