



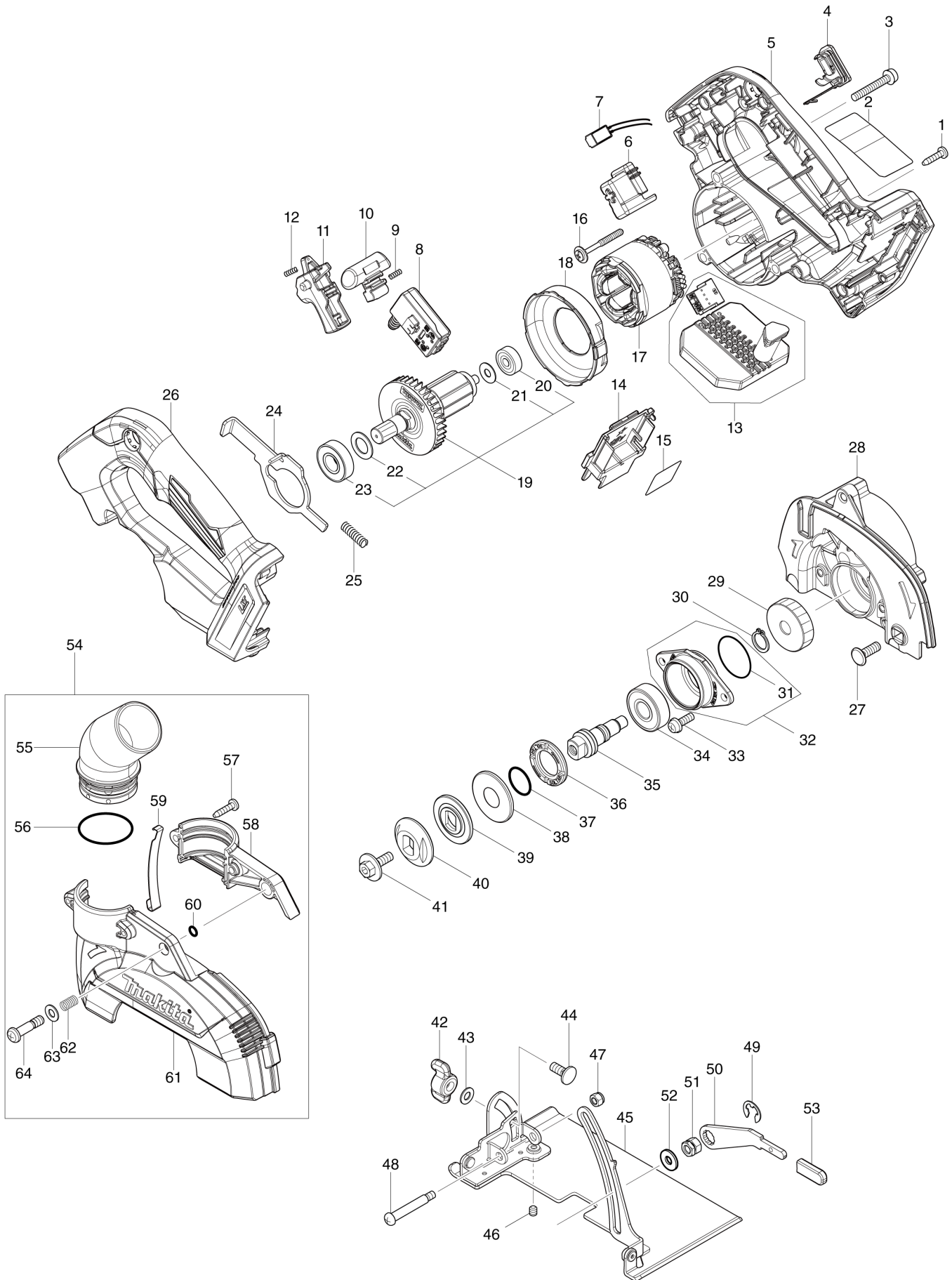
IN	INDIA
----	-------

Diagram / Parts List

DCC500

125MM CORDLESS DUSTLESS CUTTER

(IN) DCC500 / 125MM CORDLESS DUSTLESS CUTTER



IN

INDIA

DCC500 / 125MM CORDLESS DUSTLESS CUTTER

Item	Sub	Parts No.	Parts Description	Qty	I/C	E/C No.	Close No.	Remark
001		266326-2	TAPPING SCREW 4X18	6				
002		858D79-7	DCC500 NAME PLATE	1				
003		911258-5	PAN HEAD SCREW M5X35	3				
004		140F99-0	CAP COMPLETE	1				
	C10	213218-6	O RING 16	1				
	C20	818H07-8	CAP LABEL	1				
005		140Y20-3	MOTOR HOUSING COMPLETE	1				
	C10	263005-3	RUBBER PIN 6	3				
006		459256-6	HOLDER	1				
007		620936-3	LED CIRCUIT	1				
008		651083-9	SWITCH C3XA-1PSPM	1				
009		231433-0	COMPRESSION SPRING 4	1				
010		459264-7	LOCK OFF BUTTON	1				
011		458594-3	SWITCH LEVER	1				
012		231433-0	COMPRESSION SPRING 4	1				
013		620E44-0	CONTROLLER	1				
014		643874-2	TERMINAL	1				
015		858D86-0	DCC500 SERIAL NO. LABEL	1				
016		265679-6	TAPPING SCREW 4X40	2				
017		629A39-6	STATOR	1				
018		413291-8	BAFFLE PLATE	1				
019		519665-2	ROTOR ASS'Y	1				
	D10		INC. 20-23					
020		210022-4	BALL BEARING 626DDW	1				
021		253332-6	THIN WASHER 6	1				
022		253744-3	FLAT WASHER 12	1				
023		211131-2	BALL BEARING 6001DDW	1				
024		347785-0	SHAFT LOCK	1				
025		232667-8	COMPRESSION SPRING 6	1				
026		140Y24-5	HANDLE COVER COMPLETE	1				
	C10	263005-3	RUBBER PIN 6	2				
027		251586-9	FLAT HEAD SQUARE NECK BOLT M6X	1				
028		140Y21-1	GEAR HOUSING COMPLETE	1				
	C10	213430-8	O RING 28	1				
029		227855-0	HELICAL GEAR 45	1				
030		961052-5	RETAINING RING S-12	1				
031		213444-7	O RING 30	1				
032		135948-8	BEARING BOX ASSEMBLY	1				
	D10		INC. 31					
033		911223-4	PAN HEAD SCREW M5X16	2				
034		211129-9	BALL BEARING 6201DDW	1				
035		325603-2	SPINDLE	1				
036		285858-0	BEARING RETAINER 19-33	1				
037		213279-6	O RING 18	1				
038		253397-8	CUP WASHER 15	1				
039		224423-0	INNER FLANGE 36	1				
040		224424-8	OUTER FLANGE 36	1				
041		266510-9	HEX. SOCKET HEX. BOLT M6X18	1				
042		252649-4	THUMB NUT M6	1				
043		941151-9	FLAT WASHER 6	1				
044		265939-6	FLAT HEAD SQ. NECK BOLT M6X14	1				
045		162951-6	BASE	1				
046		266264-8	H.S.SET SCREW(FLAT POINT)M5X6	1				
047		252103-8	HEX. LOCK NUT M5-8	1				
048		266515-9	+ PAN HEAD SCREW M5	1				
049		257982-9	BOW STOP RING E-8	1				
050		347399-5	LEVER PLATE	1				
051		264103-6	HEX. NUT M6	1				
052		253111-2	FLAT WASHER 6	1				
053		286036-5	CAP	1				
054		127750-3	DUST COVER ASSEMBLY A	1				
	D10		INC. 55-64					
055		416741-2	ELBOW	1				
056		213460-9	O RING 35	1				
057		266326-2	TAPPING SCREW 4X18	2				

B:DCC500RTE(H)

Interchange

O : Yes

X : No

< : the new part can be substituted for the current.

> : the current part can be substituted for the new.

S : Interchangeable as a set.

