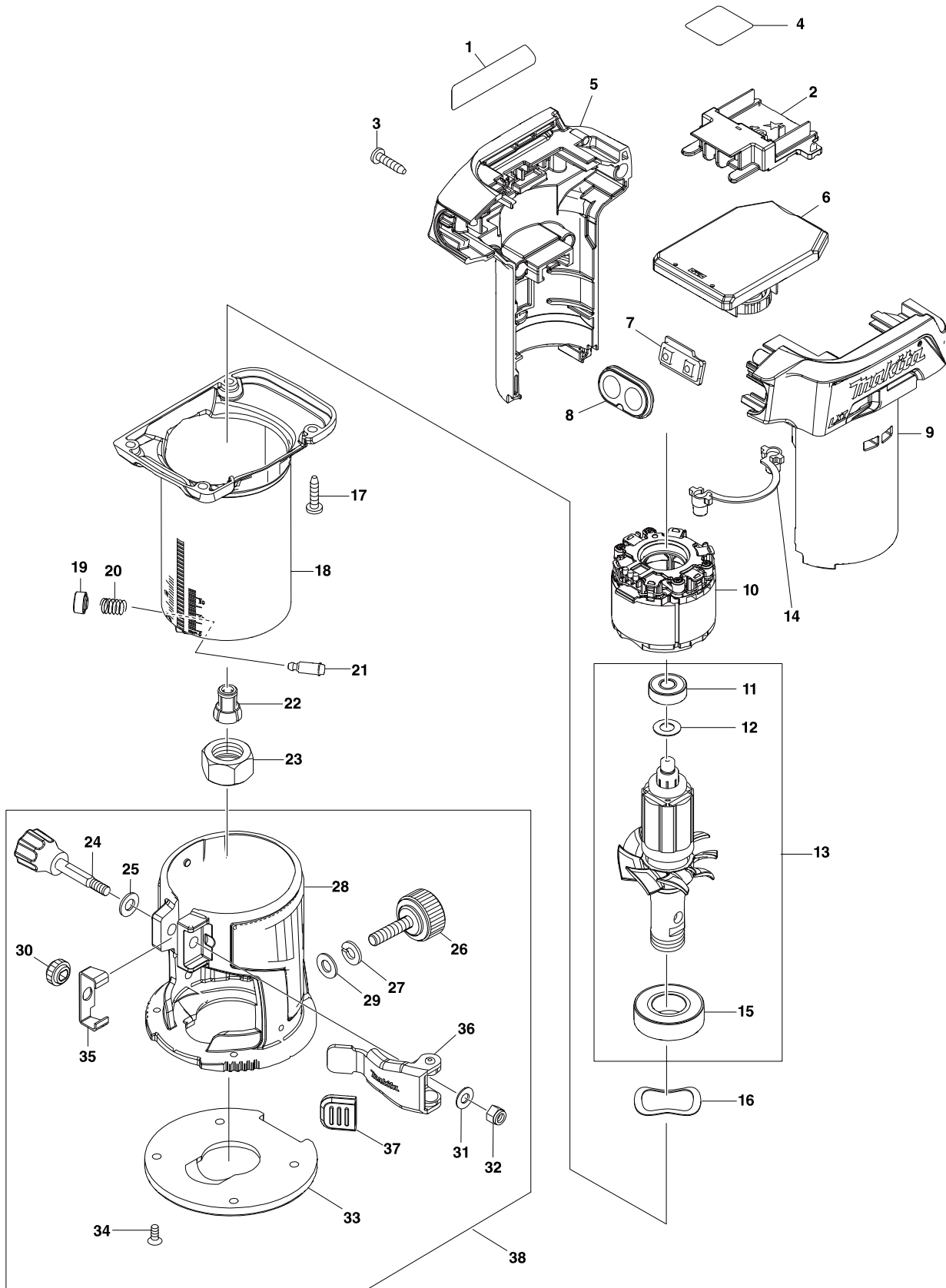


# Model No. DRT50 CORDLESS TRIMMER



# Model No. DRT50 CORDLESS TRIMMER

Item	Parts No.	Description	I/C	QTY	N/O	Opt. 1	Opt. 2	NOTE
001	853N00-1	DRT50 NAME PLATE		1				
002	643874-2	TERMINAL		1		73182990		
003	266326-2	TAPPING SCREW 4X18		4		73181500		
004	853N19-0	DRT50 SERIAL NO. LABEL		1				
005	183G76-5	HOUSING SET		1				
C10	263005-3	RUBBER PIN 6		2		40169390		
D10		INC. 9						
006	620720-6	CONTROLLER A		1				
007	632K92-3	SWITCH UNIT		1				
008	144662-5	SWITCH PLATE COMPLETE		1				
009	183G76-5	HOUSING SET		1				
C10	263005-3	RUBBER PIN 6		2		40169390		
D10		INC. 5						
010	629280-5	STATOR		1				
011	210017-7	BALL BEARING 607DDW		1		84821090		
012	253186-1	FLAT WASHER 7		1		84679900		
013	519449-8	ROTOR ASSY		1				
D10		INC. 11,12,15						
014	620721-4	LED CIRCUIT		1				
015	210301-0	BALL BEARING 6003DDW		1		84821090		
016	253906-3	WAVE WASHER 26		1		84679900		
017	266326-2	TAPPING SCREW 4X18		4		73181500		
018	144661-7	OUTER HOUSING COMPLETE		1				
019	452468-0	PUSH BUTTON		1		73182990		
020	233127-3	COMPRESSION SPRING 7		1		73209090		
021	256437-1	PIN 4		1		73182990		
022	763636-3	COLLET CONE 6MM		1		82079090		
023	763615-1	COLLET NUT		1		73181500		
024	265792-0	THUMB SCREW M5X35		1		73181500		
025	941151-9	FLAT WASHER 6		1		73182200		
026	265763-7	THUMB SCREW M6X25		1		73181500		
027	942151-2	SPRING WASHER 6		1		73182200		
028	142403-3	TRIMMER BASE COMPLETE		1		84679900		
029	941151-9	FLAT WASHER 6		1		73182200		
030	227262-7	SPUR GEAR 16		1		84679900		
031	941101-4	FLAT WASHER 5		1		73182200		
032	252103-8	HEX. LOCK NUT M5-8		1		73181500		
033	454842-8	BASE PROTECTOR		1		84679900		
034	912112-6	COUNTERSUNK HEAD SCREW M4X10		4		73181500		
035	346392-6	CAM PLATE		1		73182200		
036	163524-8	LOCK LEVER COMPLETE		1		84679900		
037	424396-9	RUBBER CAP		1		84679900		
038	196612-6	TRIMMER BASE SET		1		84679900		
D10		INC. 24-37						
A01	122965-7	STRAIGHT GUIDE ASSEMBLY		1		84679900		
C10	252649-4	THUMB NUT M6		1		73181500		
C20	266339-3	CAP SQUARE NECK BOLT M6X20		1		73181500		
C30	346382-9	GUIDE PLATE		1		73182200		

