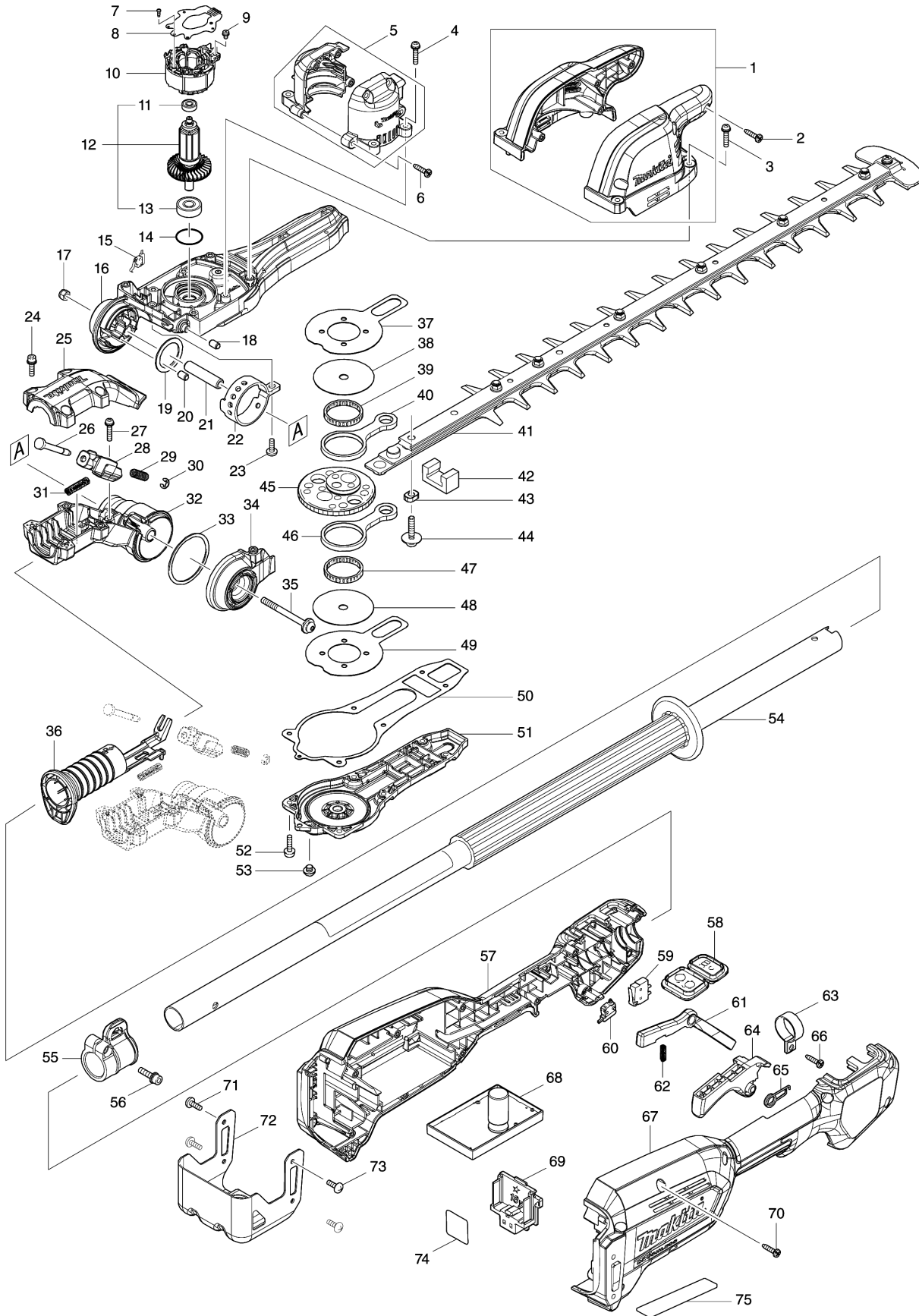


Model No.DUN500W CORDLESS POLE HEDGE TRIMMER



Model No.DUN500W CORDLESS POLE HEDGE TRIMMER

Item	Parts No.	Description	I/C	Qty	New/Old	Opt. 1	Opt. 2	Note
001	183N85-6	HOUSING SET		1				
002	266326-2	TAPPING SCREW 4X18		4				
003	911138-5	P.H.SCREW M4X20 WITH WR		4				
004	911138-5	P.H.SCREW M4X20 WITH WR		4				
005	183N83-0	MOTOR HOUSING SET		1				
006	266326-2	TAPPING SCREW 4X18		4				
007	266490-9	TAPPING SCREW PT 2X6		3				
008	620B02-8	CONTROLLER B		1				
009	652069-6	FLAT HEAD SCREW M3X6		3				
010	629352-6	STATOR		1				
011	211157-4	BALL BEARING 695ZZ		1				
012	519598-1	ROTOR ASSY		1				
D10		INC. 11,13						
013	210005-4	BALL BEARING 608DDW		1				
014	213961-7	O RING 22		1				
015	632P71-1	SWITCH UNIT		1				
016	140R17-0	GEAR HOUSING COMPLETE		1				
017	252103-8	HEX. LOCK NUT M5-8		1				
018	263005-3	RUBBER PIN 6		1				
019	267304-5	FLAT WASHER 25		1				
020	263005-3	RUBBER PIN 6		3				
021	257761-5	SLEEVE 6		1				
022	347656-1	ANGULAR HOLDER		1				
023	265487-5	H.S. BUTTON HEAD BOLT M5X16		1				
024	922128-3	HEX. SOCKET HEAD BOLT M4X16		4				
025	319952-7	PIPE HOLDER COVER 24		1				
026	327514-7	STOPPER PIN		1				
027	911138-5	P.H.SCREW M4X20 WITH WR		1				
028	412295-7	STOPPER PIN HOLDER		1				
029	233096-8	COMPRESSION SPRING 5		1				
030	961011-9	STOP RING E-4		1				
031	232299-1	COMPRESSION SPRING 5		1				
032	319950-1	PIPE HOLDER 24		1				
033	267190-4	FLAT WASHER 45		1				
034	319951-9	SIDE COVER		1				
035	265A90-8	H.S.B. HEAD BOLT M5X60 WITH WR		1				
036	412296-5	SLIDE GRIP 24		1				
037	347361-0	FRICTION PLATE		1				
038	347661-8	PLATE		1				
039	212229-8	NEEDLE CAGE 315		1				
040	347662-6	CONNECTING ROD		1				

Please order the parts with part number.

Print Date 27/3/2020

Model No.DUN500W CORDLESS POLE HEDGE TRIMMER

Item	Parts No.	Description	I/C	Qty	New/Old	Opt. 1	Opt. 2	Note
041	191C14-9	SHEAR BLADE 500 SET		1				
C10	197438-9	GREASE VESSEL SET(D)		1				
C20	345205-8	BRANCH CATCHER		1				
C30	911208-0	PAN HEAD SCREW M5X10		1				
D10		INC. 43						
042	443159-4	SEAL		1				
043	257439-0	SLEEVE 5		2				
044	265A89-3	H.S.H.BOLT M5X25 WITH WR		2				
045	226958-7	HELICAL GEAR 68		1				
046	347662-6	CONNECTING ROD		1				
047	212229-8	NEEDLE CAGE 315		1				
048	347661-8	PLATE		1				
049	347361-0	FRICTION PLATE		1				
050	422568-0	GEAR HOUSING GASKET		1				
051	319949-6	GEAR HOUSING COVER		1				
052	922128-3	HEX. SOCKET HEAD BOLT M4X16		6				
053	266559-9	H.S.BUTTON HEAD BOLT M6X4		1				
054	140R22-7	PIPE 24 COMPLETE		1				
C10	8008A7-9	CAUTION LABEL		1				
055	168478-4	HANGER		1				
056	922228-9	H.S.H.BOLT M5X18 WITH WR		1				
057	183N92-9	GRIP HOUSING SET		1				
C10	263005-3	RUBBER PIN 6		2				
C20	252126-6	HEX. LOCK NUT M4-7		4				
D10		INC. 67						
058	140R24-3	SUB CONTROLLER COMPLETE		1				
C10	8008M5-7	SWITCH LABEL		1				
059	632E26-0	SWITCH UNIT		1				
060	632L49-0	SWITCH UNIT		1				
061	457773-0	LOCK OFF LEVER		1				
062	233101-1	COMPRESSION SPRING 4		1				
063	346248-3	CLAMP 24		1				
064	412285-0	SWITCH LEVER		1				
065	233612-6	TORSION SPRING 10		1				
066	266326-2	TAPPING SCREW 4X18		1				
067	183N92-9	GRIP HOUSING SET		1				
C10	263005-3	RUBBER PIN 6		2				
C20	252126-6	HEX. LOCK NUT M4-7		4				
D10		INC. 57						
068	620C77-3	CONTROLLER		1				
069	644809-6	TERMINAL		1				

Please order the parts with part number.

Print Date 27/3/2020

Model No.DUN500W CORDLESS POLE HEDGE TRIMMER

Item	Parts No.	Description	I/C	Qty	New/Old	Opt. 1	Opt. 2	Note
070	266326-2	TAPPING SCREW 4X18		9				
071	251314-2	+ SCREW M4X12		2				
072	347655-3	BATTERY GUARD		1				
073	251314-2	+ SCREW M4X12		2				
074	856T84-4	DUN500W SERIAL NO. LABEL		1				
075	856T79-7	DUN500W NAME PLATE		1				
A01	125516-5	BAND ASSEMBLY		1				
A02	458413-3	BLADE COVER 500		1				
E01	807E85-5	SOUND 92DB LABEL		1				

Please order the parts with part number.

Print Date 27/3/2020