

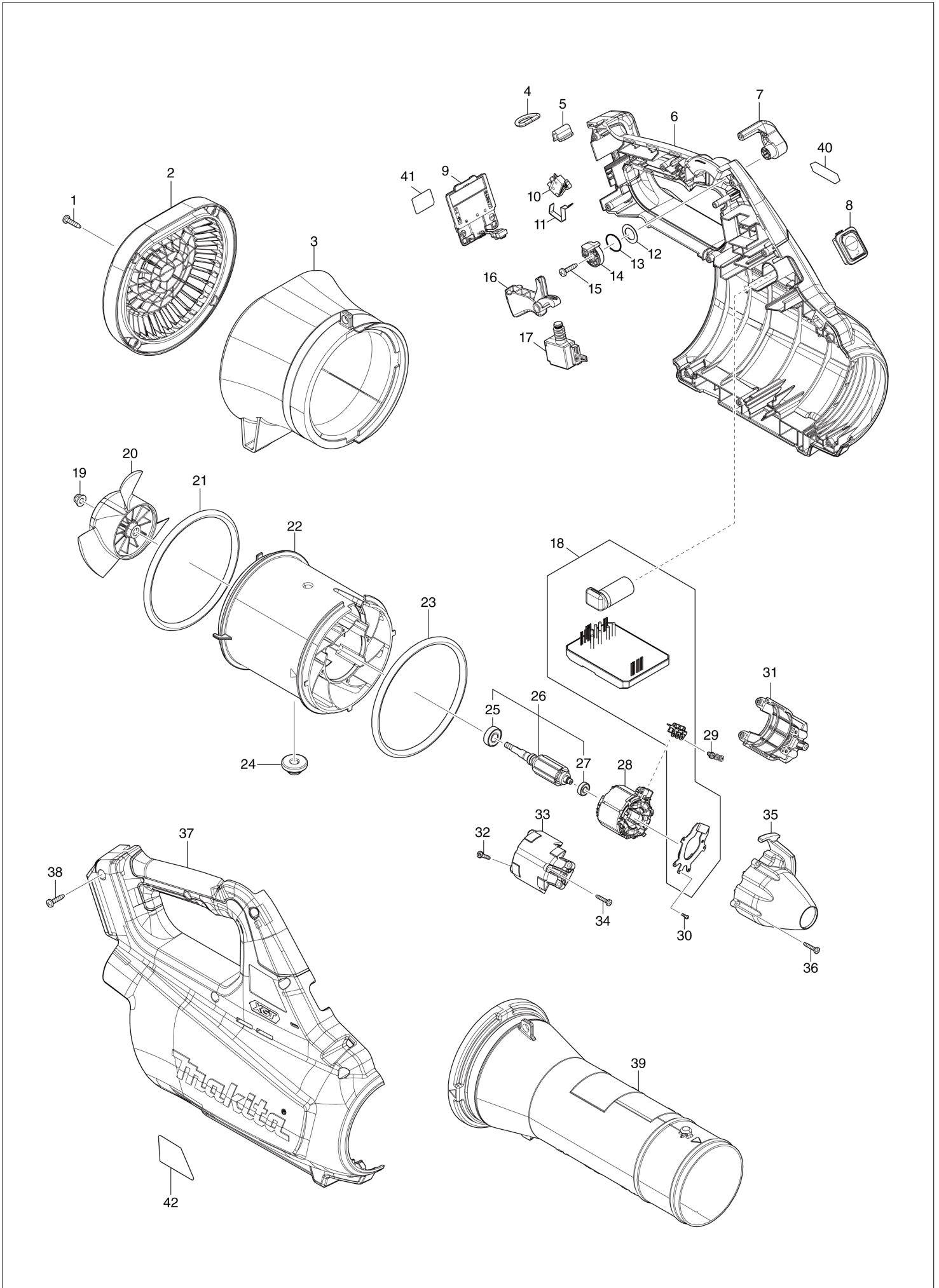


Diagram / Parts List

UB001G

CORDLESS BLOWER

(IN) UB001G / CORDLESS BLOWER



IN INDIA**UB001G / CORDLESS BLOWER**

Item	Sub	Parts No.	Parts Description	Qty	I/C	E/C No.	Close No.	Remark
001		266326-2	TAPPING SCREW 4X18	4				
002		413368-9	REAR COVER	1				
003		140Y68-5	REAR HOUSING COMPLETE	1				
	C10	422668-6	SPONGE	4				
004		327742-4	D RING 20	1				
005		347783-4	RING SUPPORT	1				
006		183T07-2	HOUSING SET	1				
	C10	263005-3	RUBBER PIN 6	2				
	C20	8011Y4-4	CAUTION LABEL	1				
	D10		INC. 37					
007		412755-9	CONTROL LEVER	1				
008		140X08-7	SWITCH CIRCUIT COMPLETE	1				
	C10	810D46-0	SWITCH LABEL	1				
009		632P65-6	TERMINAL UNIT	1				
010		632L48-2	SWITCH UNIT	1				
011		232634-3	LEAF SPRING	1				
012		253798-0	FLAT WASHER 13	1				
013		213154-6	O RING 14	1				
014		412754-1	LINK	1				
015		266326-2	TAPPING SCREW 4X18	1				
016		412756-7	SWITCH LEVER	1				
017		651496-4	SWITCH C3JR-1AT-PAXD3	1				
018		620E14-9	CONTROLLER	1				
019		252286-4	COLLARED HEX.LOCK NUT M5-8	1				
020		240177-1	FAN 110	1				
021		424721-4	RUBBER RING 115	1				
022		413366-3	FAN HOUSING	1				
023		424721-4	RUBBER RING 115	1				
024		424194-1	RUBBER RING 8	1				
025		210040-2	BALL BEARING 698LLU	1				
026		519580-0	ROTOR ASSY	1				
	D10		INC. 25,27					
027		211157-4	BALL BEARING 695ZZ	1				
028		629A49-3	STATOR	1				
029		652069-6	FLAT HEAD SCREW M3X6	3				
030		266490-9	TAPPING SCREW PT 2X6	3				
031		183M64-8	MOTOR HOUSING SET	1				
	D10		INC. 33					
032		266130-9	TAPPING SCREW BIND PT 3X16	4				
033		183M64-8	MOTOR HOUSING SET	1				
	D10		INC. 31					
034		266130-9	TAPPING SCREW BIND PT 3X16	2				
035		413365-5	CAP	1				
036		266130-9	TAPPING SCREW BIND PT 3X16	4				
037		183T07-2	HOUSING SET	1				
	C10	263005-3	RUBBER PIN 6	2				
	C20	8011Y4-4	CAUTION LABEL	1				
	D10		INC. 6					
038		266326-2	TAPPING SCREW 4X18	10				
039		413367-1	FRONT PIPE	1				
040		8030S0-0	XGT LOGO LABEL	1				
041		811D71-4	UB001G SERIAL NO. LABEL	1				
042		811D64-1	UB001G NAME PLATE	1				
A01		166094-6	SHOULDER BELT	1				
A02		412758-3	END NOZZLE 80	1				
A03		191L96-5	ADAPTER PIPE 85-72 SET	1				
A04		183P97-1	EXTENSION NOZZLE SET	1				
A05		183P98-9	FLAT NOZZLE SET	1				
A06B		***DC40RA	DC40RA FAST CHARGER	1				
	D10		COMPO-PARTS					
A07B		412393-7	BATTERY COVER	1				
A08B		191B31-3	BATTERY BL4040 SET	1				

B:UB001GM101(H)

Interchange

O : Yes

X : No

< : the new part can be substituted for the current.

> : the current part can be substituted for the new.

S : Interchangeable as a set.