

18.08.22

KWB421 Wheel balancer

Container part

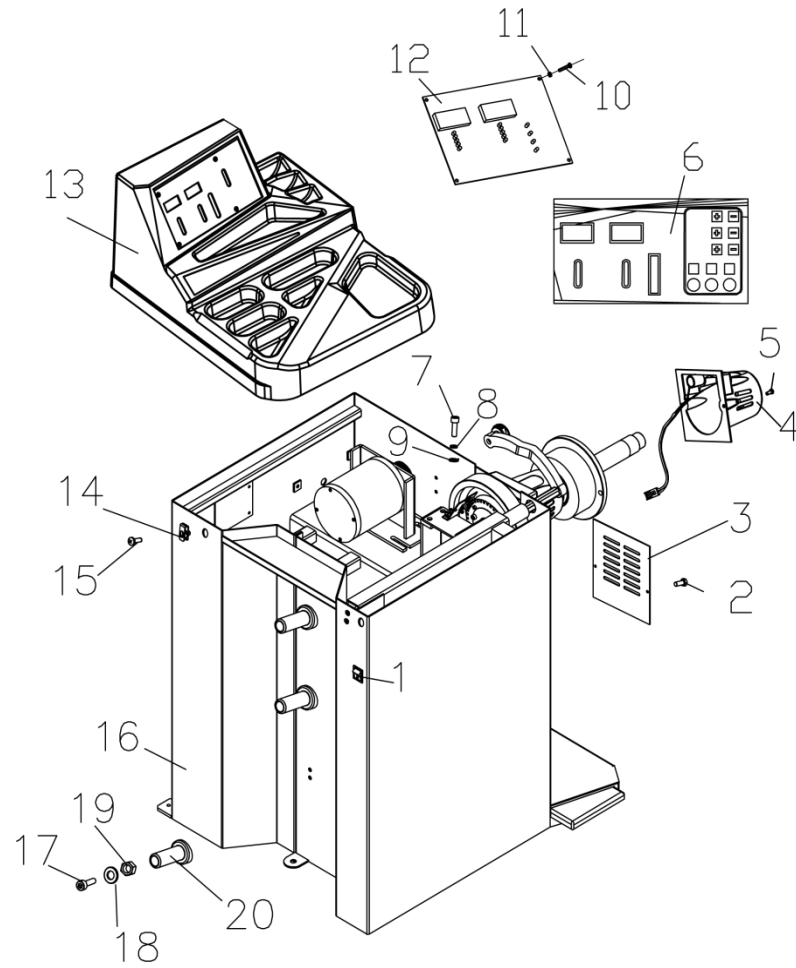
Configuration NO	CLASS	No	material	Englisgh Description	中文描述	Remark
	●	1	020601007	Ship type switch	船型开关	
		2	05020030214	Baffle	挡板	
		3	030201334	SHCS M4X10	十字槽半圆头螺钉	
	●	4	060229005	Main shaft cover	主轴罩	
		5	030201335	SHCS M4X12	十字槽盘头螺钉	
	●	6	021101042	Membrane Switch	显示面膜	
		7	030201063	SHCS M8X12	内六角圆柱头螺钉	
		8	030502005	Spring spacer ϕ 8	弹性垫圈	
		9	030501005	Spacer ϕ 12	平垫圈	
		10	030201613	SHCS M3X20	十字槽沉头螺钉	
		11	030301013	HHB M3	六角螺母	
	●	12	021003011	Computer board	电脑板	
	●	13	020602102	Weight Tray;	铅块罩	
		14	022102033	B type reed nut	B形簧片螺母	
		15	030204150	HHB M6*20	内六角半圆头法兰面螺钉	
		16	05020030240	Chassis Body	箱体	
		17	030201046	HHB M6*30	内六角圆柱头螺钉	
		18	030501004	Spacer ϕ 6	平垫圈	
		19	030301105	HHB M3	六角螺母	
		20	020601008	Cone Hanger	工装柄	

18.08.22

KWB421 Wheel balancer

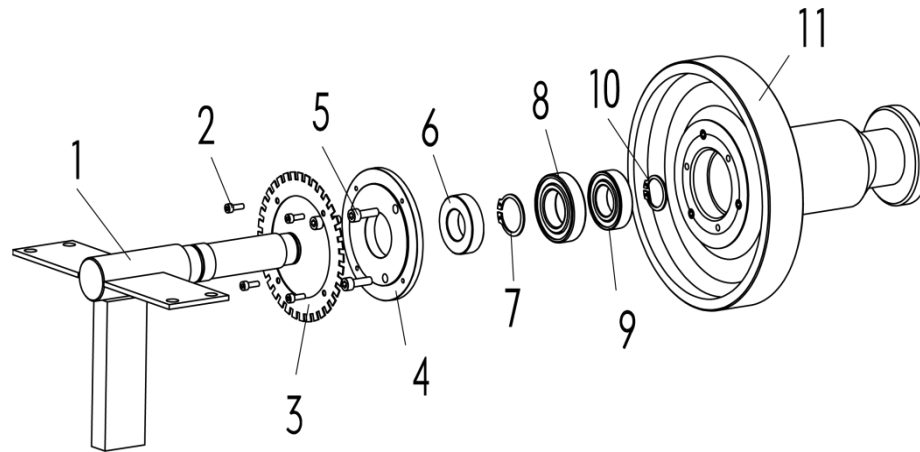
Container part

Configuration NO	CLASS	No	material	English Description	中文描述	Remark
------------------	-------	----	----------	---------------------	------	--------



18.08.22 **KWB421 Wheel balancer** **Main shaft** 18

configurationNO	CLASS	No	material	Englisch Description	中文描述	Remark
		1	05020070004	Deformation of Beams	变形梁	
		2	030201004	HHS M4*12	内六角圆柱头螺钉 M4×12	
		3	05020070008	Tootch 32T	光电齿32T	
		4	05020070005	Bearing Cover	轴承端盖	
		5	030201044	HHS M6*20	内六角圆柱头螺钉 M6×20	
		6	030303101	Round nut	圆螺母	
		7	030604023	Ring for shaft 30	轴用弹性挡圈 30	
		8	030802002	Bearing; 6006	深沟球轴承 6006	
		9	030802001	Bearing; 6005	深沟球轴承 6005	
		10	030604105	Ring for shaft 25	轴用弹性挡圈 25	
		11	05020070006	Spindle Bushing Weldment;	轴套组件	

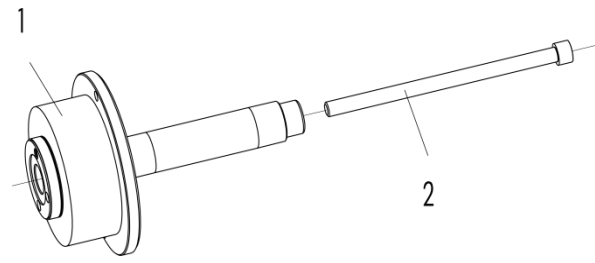


18.08.22

KWB421 Wheel balancer

Thread Shaft

configurationNO	CLASS	No	material	Englisgh Description	中文描述	Remark
	●	1	05020070054	Thread Shaft/Spindle	匹配器	
		2	030201172	SHCS M14X260mm	内六角圆柱头螺钉	



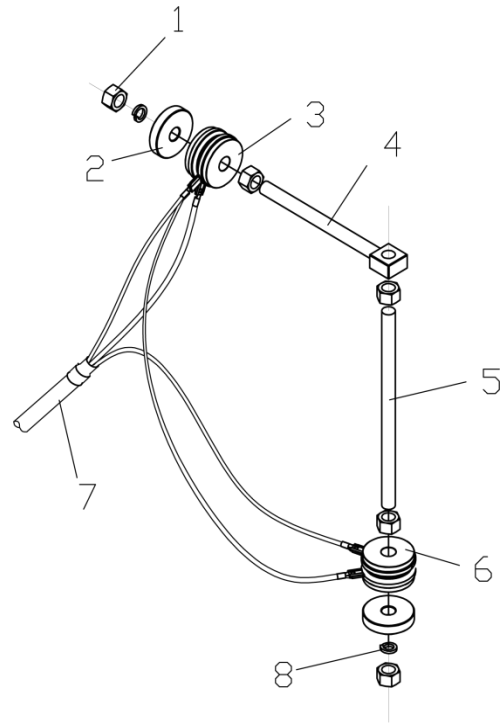
18.08.22

KWB421 Wheel balancer

Sensor

18-5

configurationNO	CLASS	No	material	Englisgh Description	中文描述	Remark
		1	030301003	Hex nut M10	六角螺母	
		2	05020070043	Sensor pad	传感器平垫	
	●	3	021006032	Sensor(Horizontal)	小平传感器(水平)	
		4	021301007	horizon bar	水平杆	
		5	021301008	Vertical Shaft	垂直杆	
	●	6	021006033	Sensor(Vertical)	小平传感器(垂直)	
	●	7	020402061	Sensor wire	传感器线	
		8	030502006	Elastic washer	弹性垫圈	

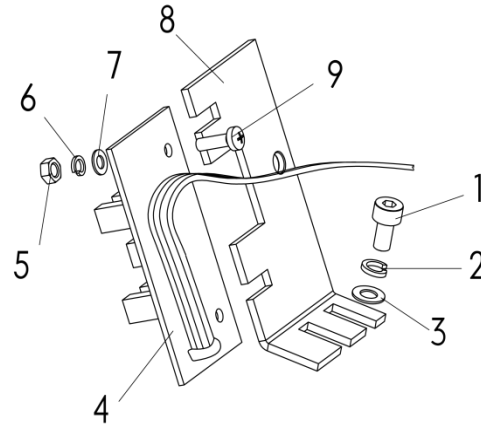


18.08.22

KWB421 Wheel balancer

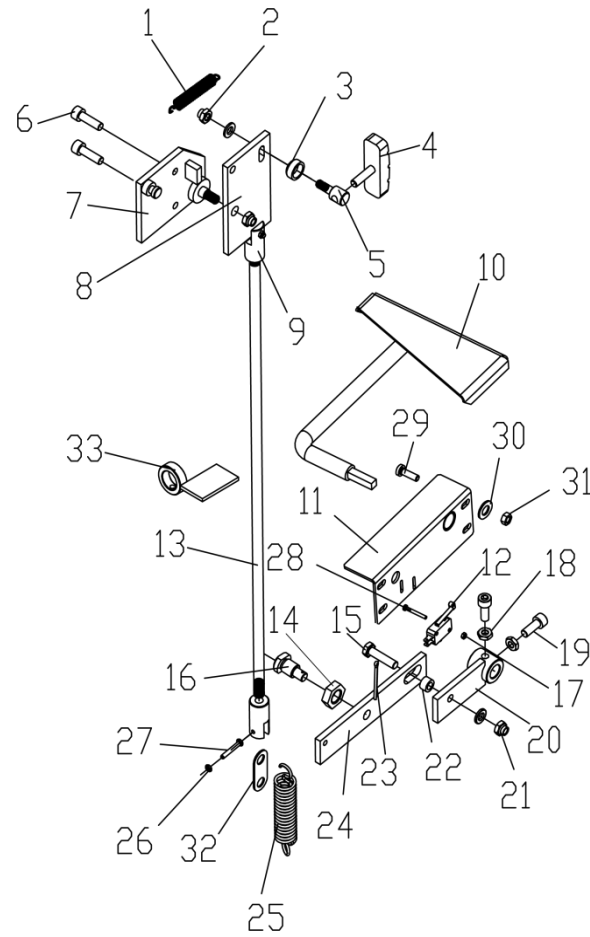
32齿光电板部分

ConfigurationNO	CLASS	No	material	Englisgh Description	中文描述	Remark
		1	030201002	HHS M4*8	内六角圆柱头螺钉	
		2	030502002	Spring pad	弹簧垫	
		3	030501002	Flat gasket	平垫	
	●	4	021003002	Encoder Board	光电板(32T)	
		5	030301101	HHS M3	六角螺母	
		6	030502001	Spring pad	弹簧垫	
		7	030501001	Flat gasket	平垫	
		8	05020070003	Encoder Board bracket	光电板支架	
		9	030201265	Cross recess pan head screw	十字槽盘头螺钉	

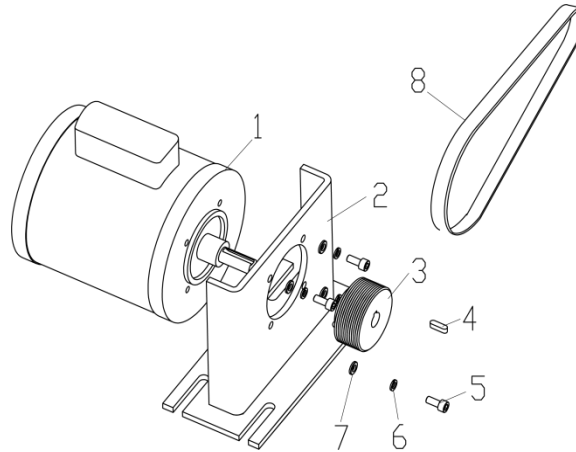


Configuration NO	CLASS	No	material	Englisgh Description	中文描述	Remark
	●	1	020702001	Upper Brake Return Spring	刹车上拉簧	
		2	030301082	Hex nut M6	六角螺母 M6	
		3	05020020002	Brake Pad Spacer;	刹车锁紧碗	
	●	4	020101002	Brake Pad	刹车块	
		5	05020020001	Brake Pad Bracket;	锁紧轴	
		6	030201042	HHS M6*12	内六角圆柱头螺钉M6×12	
		7	05020020003	Brake Fix Mounting Plate;	刹车固定板	
		8	05020020004	Brake Movable Mounting Plate;	刹车活动板	
		9	05010060010	Brake Rod Connector	小气阀接头	
		10	05020020009	Brake Pedal	刹车踏板组焊	
		11	05020020022	Brake Fix Mounting	刹车固定架组焊	
		12	021006031	Hood Switch	微动开关	
		13	05020020005	Brake Rod;	刹车拉杆	
		14	030301138	Hex nut M12	六角螺母 M12	
		15	030101024	Hex bolt M6×25	六角头螺栓M6×25	
		16	05020020012	Pivot Screw	刹车固定轴	
		17	030301101	Hex nut M3	六角螺母	
		18	030301105	Hex nut M6	六角螺母	
		19	030201043	HHS M6*16	内六角圆柱头螺钉M6×16	
		20	05020020008	Brake Pedal Bushing	摆杆套组焊	
		21	030301105	Hex nut M6	六角螺母 M6	
		22	05020020007	Brake Linkage Bushing;	刹车摆杆连接隔套	
		23	030903006	Cotter pin;	开口销 2×20	
		24	05020020006	Brake warp	刹车翘板	
	●	25	020702002	Lower Brake Return Spring;	刹车上拉簧	
		26	030301102	Hex nut M4	六角螺母	
		27	030201006	Hex bolt M4*20	内六角圆柱头螺钉	
		28	030201269	cross recess tapping screw	十字槽盘头螺钉	
		29	030201023	Hex bolt M6*20	六角头螺栓	

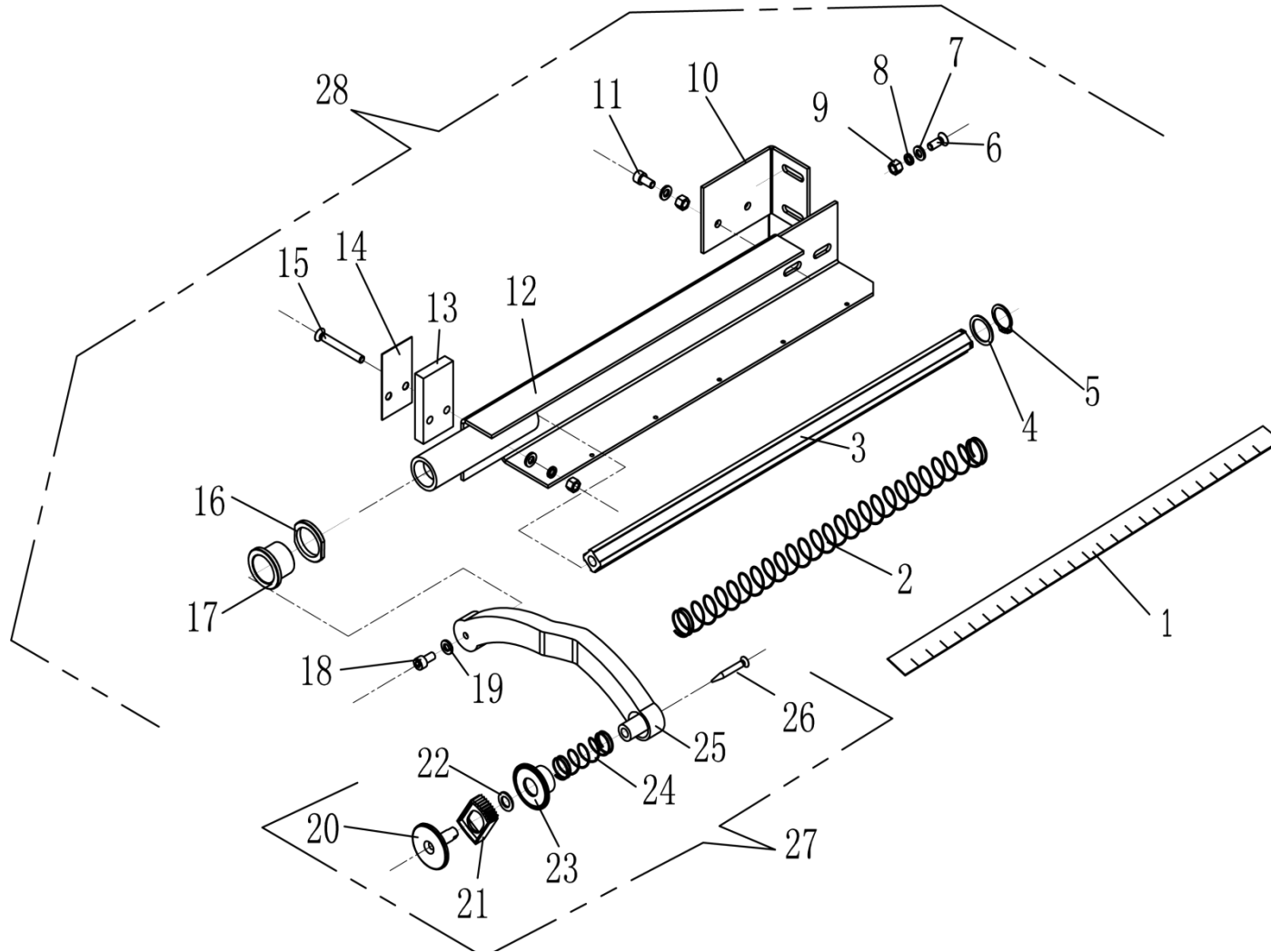
Configuration NO	CLASS	No	material	Englisch Description	中文描述	Remark
		30	030501004	Flat washer	平垫圈	
		31	030301105	Hex nut M6	六角螺母	
		32	05010060033	Valve pull plate	小气阀拉板	
		33	05020020044	Hood Switch board;	微动开关板	



Configuration NO	CLASS	No	material	English Description	中文描述	Remark
	●	1	020401009	Motor	电机	
		2	05020060002	Motor Bracket	电机座	
	●	3	05020060003	Motor Pully	小皮带轮	
		4	030701010	Motor Pully Key;	平键 5×5×30	
		5	030201043	Hex bolt M6*16	内六角圆柱头螺钉M6×16	
		6	030502004	Washer; Ø6 Spring	弹性垫圈 6	
		7	030501004	Washer; Ø6 Flat	平垫圈 6	
	●	8	020403001	Motor Belt;	多楔带	



Configuration NO	CLASS	No	material	English Description	中文描述	Remark
------------------	-------	----	----------	---------------------	------	--------



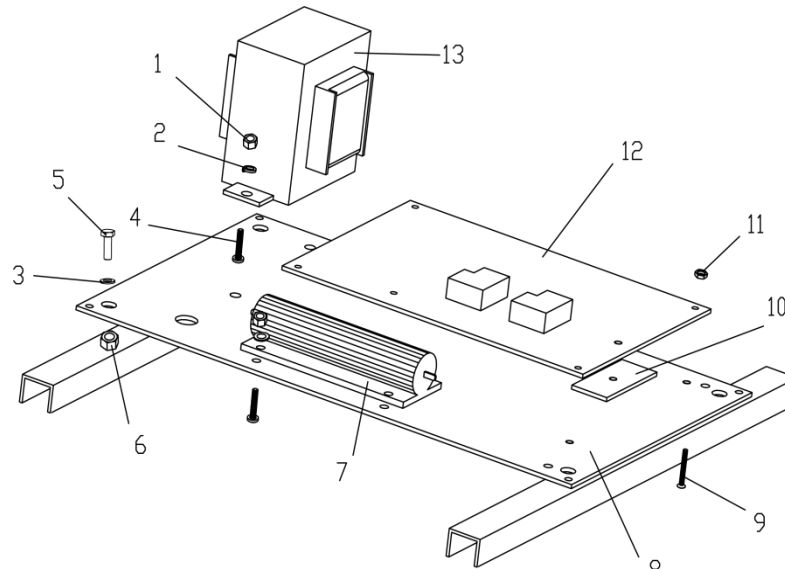
18.08.22

KWB421 Wheel balancer

电源板部分

1

Configuration NO	CLASS	No	material	English Description	中文描述	Remark
		1	030301103	Hex nut	六角螺母	
		2	030502002	Elastic washer	弹性垫圈	
		3	030502004	Elastic washer	弹性垫圈	
		4	030201337	Bolt	十字槽盘头螺钉	
		5	030101022	Hex bolt	六角头螺栓	
		6	030301106	Hex nut	六角螺母	
	●	7	021002001	Resistor;	刹车电阻	
		8	05020060001	Electrical Mounting Plate	电源衬板	
		9	030201614	Bolt	十字槽沉头螺钉	
		10	05020060056	Wsher	散热片	
		11	030301101	Hex nut	六角螺母	
	●	12	021003003	Power board	电源板	
	●	13	020404006	Transformer;	变压器	



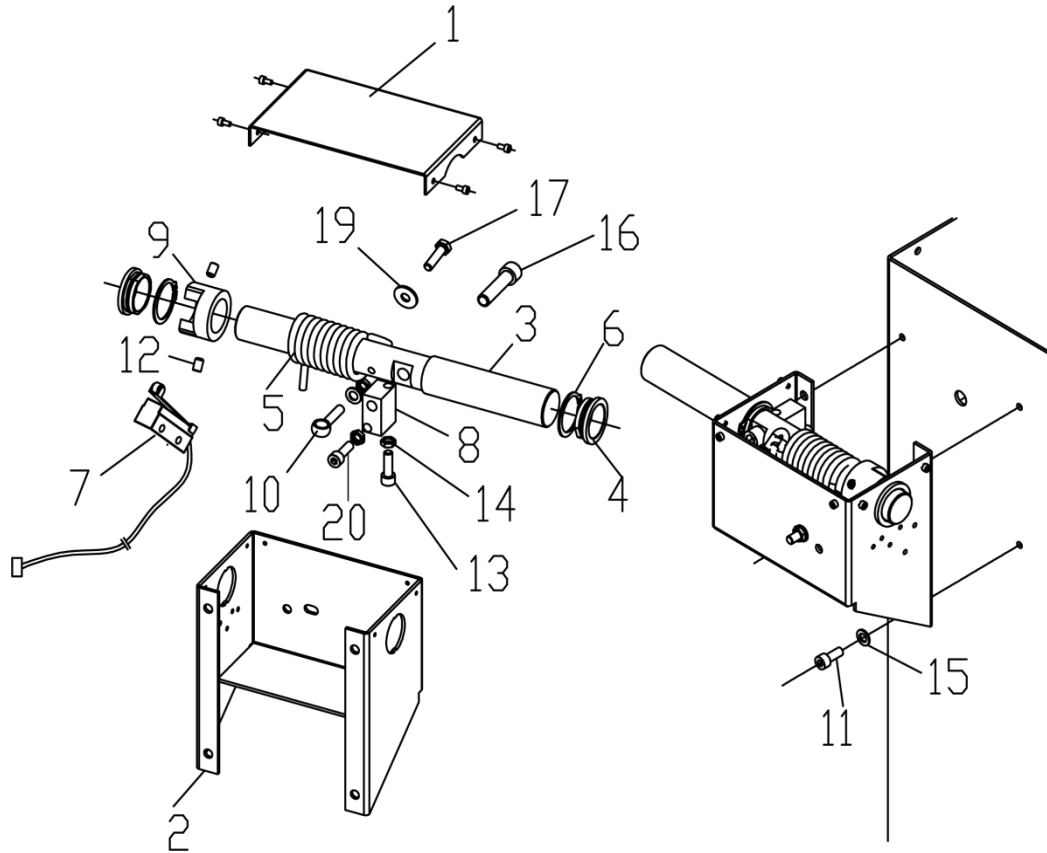
22		KWB421 Wheel balancer		Hood Mounting Assy		
Configuration NO	CLASS	No	material	English Description	中文描述	Remark
		1	05020080004	Roof cover	上盖	
		2	05020080001	Hood Mounting Assy Bracke	背包支架	
		3	05020080003	Hood Mounting Assy shaft	背包轴	
	●	4	020601035	Hood Mounting Assy shaft sleeve	背包主轴套	
		5	020703007	Hood Mounting Assy torsional spring	背包扭簧	
		6	030604115	Snap ring	轴用弹性挡圈 38	
	●	7	021006031	Hood Switch;	微动开关	
		8	05020080002	Hood Cam Stop;	背包定位块	
	●	9	020601034	Spindle bushing weldment	轴套	
		10	021301004	Adjustable Eye Bolt	扭簧调整螺丝	
		11	030201063	Hex bolt	六角头螺栓 M8×20	
		12	030202025	Hex bolt	内六角平端紧定螺钉	
		13	030201064	Hex bolt	内六角圆柱头螺钉	
		14	030301002	Hex nut	六角螺母 M8	
		15	030501005	Washer	平垫圈 8	
		16	030201114	Hex bolt	内六角圆柱头螺钉	
	●	17	030101560	Hex bolt	六角法兰面螺栓	
		18	030201002	Hex screw	内六角圆柱头螺钉	
		19	030201067	Hex screw	内六角圆柱头螺钉	

18.08.22

KWB421 Wheel balancer

Hood Mounting Assy

Configuration NO	CLASS	No	material	English Description	中文描述	Remark
------------------	-------	----	----------	---------------------	------	--------



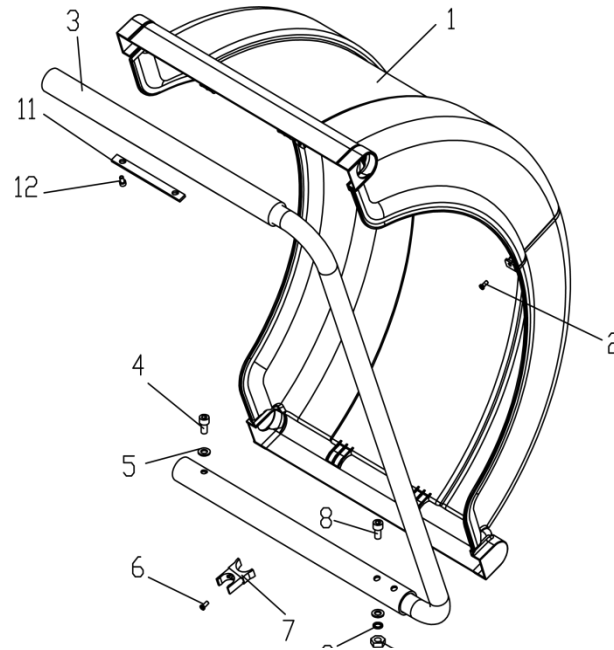
18.08.22

KWB421 Wheel balancer

Hood

18-15

Configuration NO	CLASS	No	material	English Description	中文描述	Remark
	●	1	020602029	Injection Molded Hood;	轮胎防护罩	
		2	030201364	cross recess brazier head screw	十字槽盘头螺钉	
		3	05020050035	Injection Molded Hood;	防护罩支架	
		4	030201082	Hex screw	内六角圆柱头螺钉	
		5	030501006	Washer	平垫圈	
		6	030201336	cross recess brazier head screw	十字槽盘头螺钉	
	●	7	020601049	Gauge line	量尺夹组件	
		8	030201092	Hex screw	内六角圆柱头螺钉	
		9	030502006	Spring washer	弹性垫圈	
		10	030301003	Hex screw	六角螺母	
		11	05020050031	Hood baffle	罩子挡板	
		12	030201335	cross recess brazier head screw	十字槽盘头螺钉	

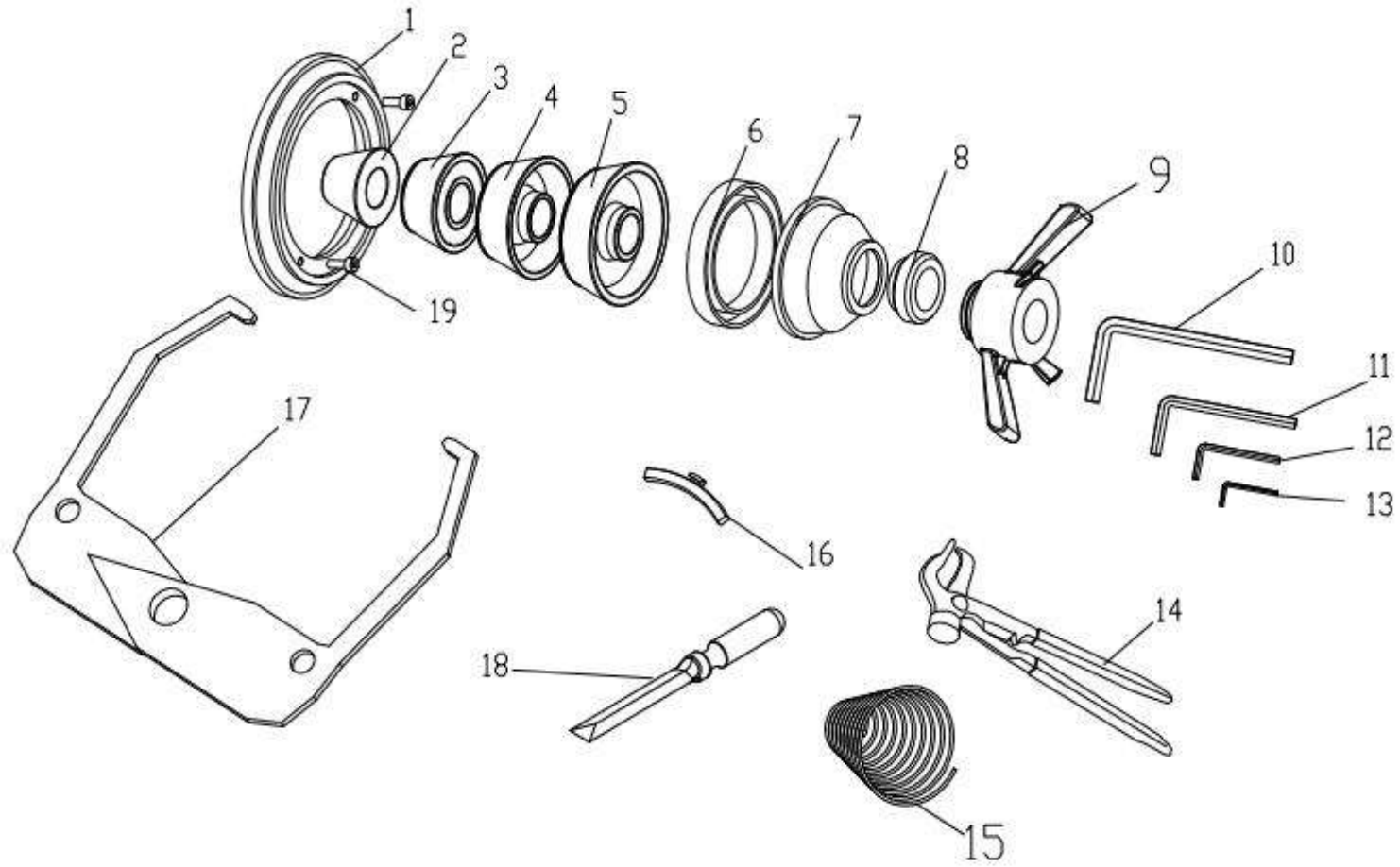


18.08.22

KWB421 Wheel balancer

Spare parts

Configuration NO	CLASS	No	material	English Description	中文描述	Remark
------------------	-------	----	----------	---------------------	------	--------



18.08.22

KWB421 Wheel balancer

Spare parts

Configuration NO	CLASS	No	material	English Description	中文描述	Remark
	●	1	020402044	Wiring	958对接线	
	●	2	020402058	Key board wiring	面键线	
	●	3	05020250004	Switching wiring	开关线	
	●	4	020402056	Hood wiring	L718罩子线	

