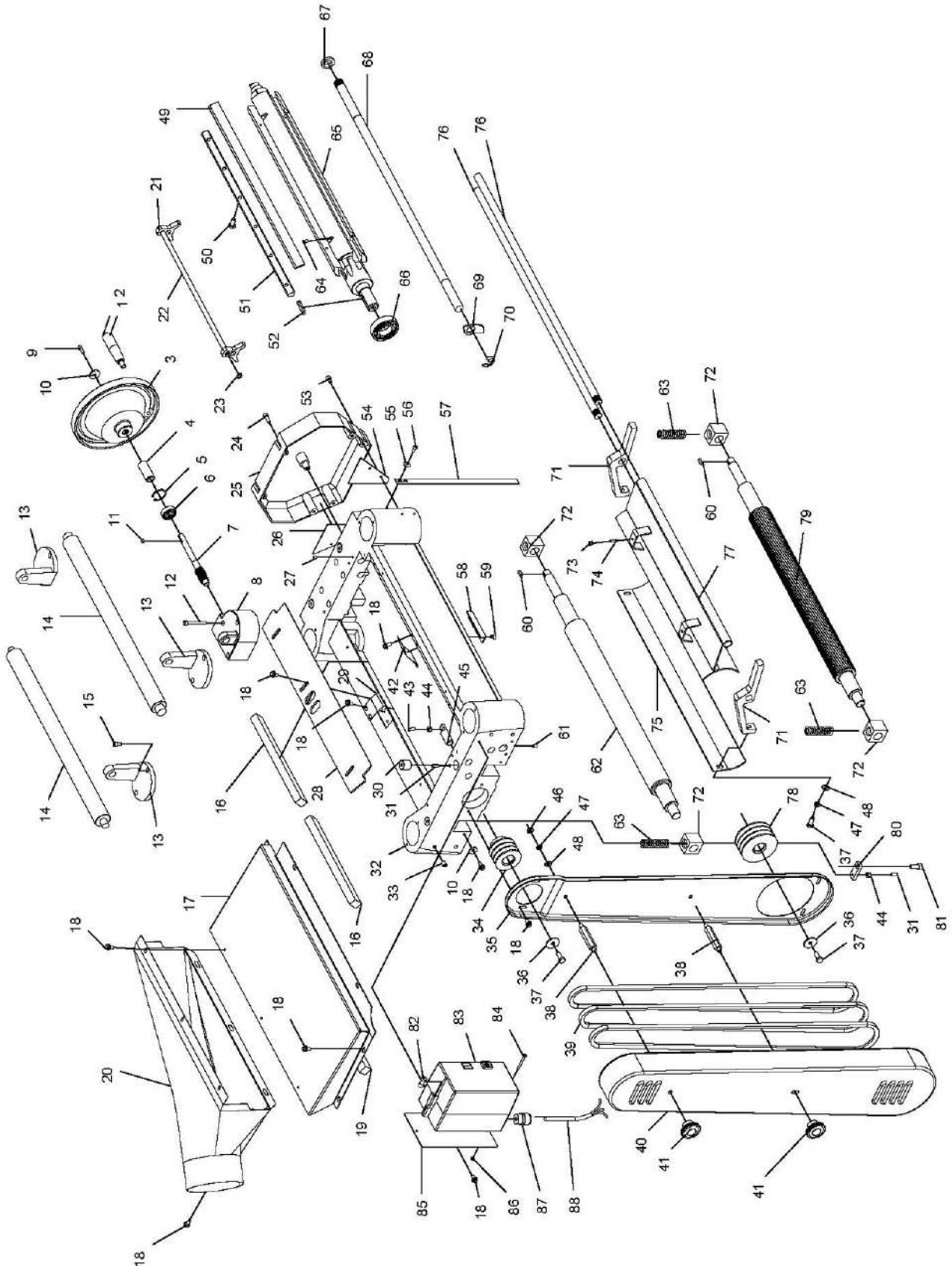


# SECTION 7: PARTS

## Headstock Breakdown

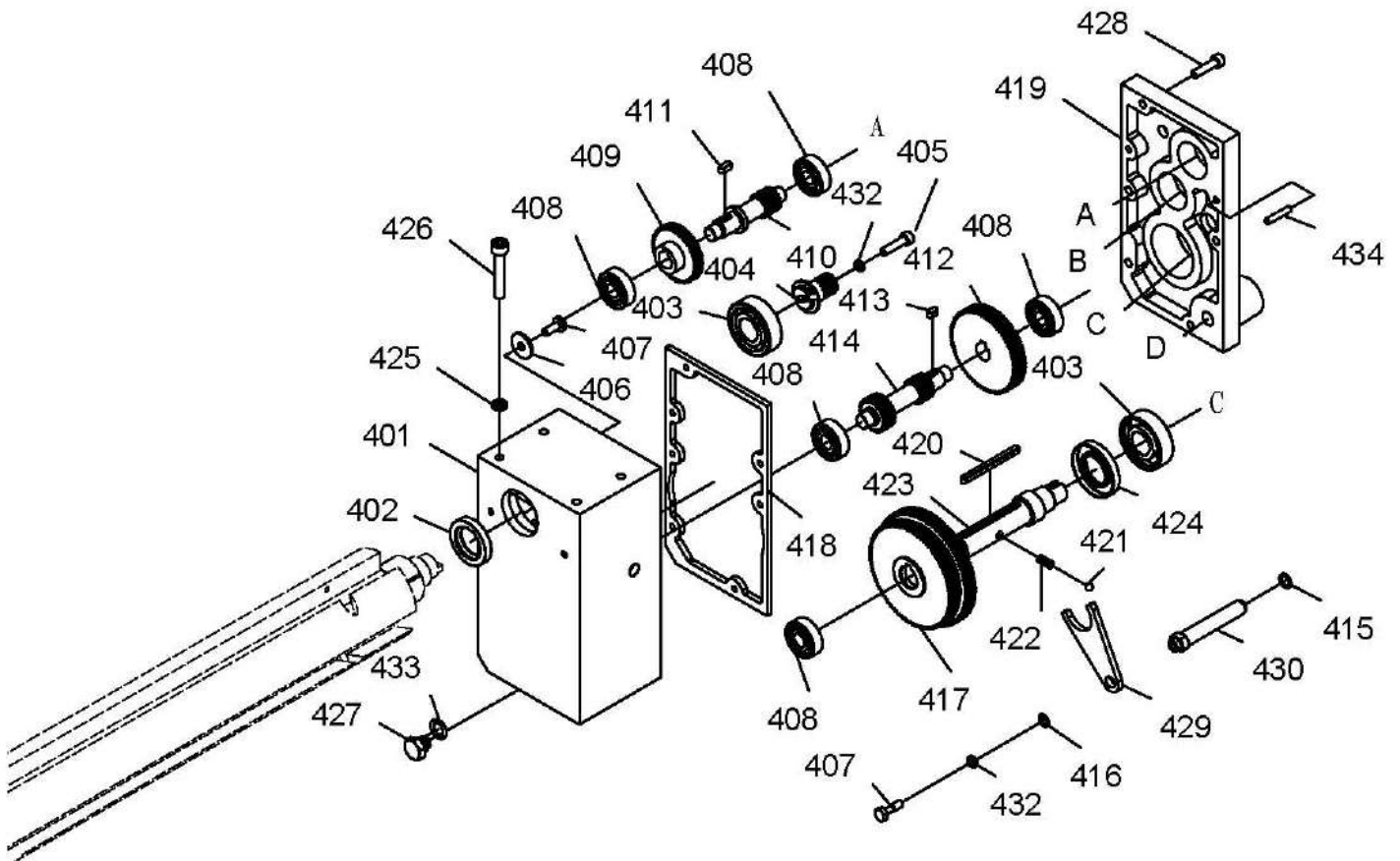


## Headstock Parts List

PART	DESCRIPTION	QTY	PART	DESCRIPTION	QTY
1	HANDLE	1	46	HEX NUT M8	2
3	HAND WHEEL	1	47	LOCK WASHER 8	2
4	COLLAR	1	48	FLAT WASHER 8	2
5	INT RET RING $\phi$ 32	1	49	KNIFE	4
6	BEARING 6201	1	50	GIB SCREW M8*10	24
7	WORM GEAR	1	51	GIB	4
8	WORM HOUSING	1	52	KEY 8*45	1
9	CAP SCREW M5*16	1	53	CAP SCREW M6*10	4
10	FLAT WASHER	5	54	SAFETY HATCH-1	1
11	KEY 4*16	1	55	FENDER WASHER 5	2
12	CAP SCREW M6*55	3	56	CAP SCREW M5*10	2
13	ROLLER STAND	3	57	SCALE	1
14	ROLLER	2	58	CUT LIMITER PLATE	1
15	CAP SCREW M6*16	6	59	FLAT HEAD SCREW M5*10	2
16	GASKET-1	2	60	KEY 5*15	2
17	UPPER COVER	1	61	SET SCREW M8*8	1
18	FLANGE BOLT M6*12	33	62	OUTFEED ROLLER	1
19	GASKET	1	63	SPRING	4
20	DUST HOOD	1	64	FLAT CAP SCREW M5*12	8
21	KNIFE GAUGE	2	65	CUTTER HEAD	1
22	KNIFE GAUGE SHAFT	1	66	BEARING 6206	1
23	EXT RET RING $\phi$ 10	4	67	SPACER	57
24	CAP SCREW M6*20	3	68	SHAFT	1
25	GEAR BOX COVER	1	69	ANTI-KICKBACK FINGER	56
26	SAFETY HATCH	1	70	E-CLIP 15	2
27	SET SCREW M6*8	2	71	BRACKET	2
28	CHIP DEFLECTOR PLATE	1	72	BUSHING	4
29	SPRING PLATE	1	73	HEX NUT M5	2
30	SPECIAL SET SCREW	4	74	SET SCREW M5*16	2
31	SET SCREW M6*16	5	75	PRESSURE PLATE	1
32	MACHINE HEAD	1	76	LOCKING ROD	2
33	SET SCREW M10*12	8	77	CHIP BREAKER	1
34	CUTTER HEAD PULLEY	1	78	MOTOR PULLEY	1
35	BELT GUARD	1	79	INFEED ROLLER	1
36	FLAT WASHER $\phi$ 8*30	2	80	PLATE	4
37	HEX BOLT M8*20	4	81	CAP SCREW M8*20	4
38	SPECIAL BOLT	2	82	BOLT	2
39	V-BELT O 1450	3	83	SWITCH	1
40	BELT COVER	1	84	PHI HEAD SCREW M4*40	2
41	STAR KNOB M8	2	85	SWITCH BRACKET	1
42	PLATE SPRING	3	86	HEX NUT M4	2
43	SET SCREW M6*20	2	87	STRAIN RELIEF M22*1.5	2
44	HEX NUT M6	6	88	POWER CORD	1
45	ADJUSTING SHAFT	2			

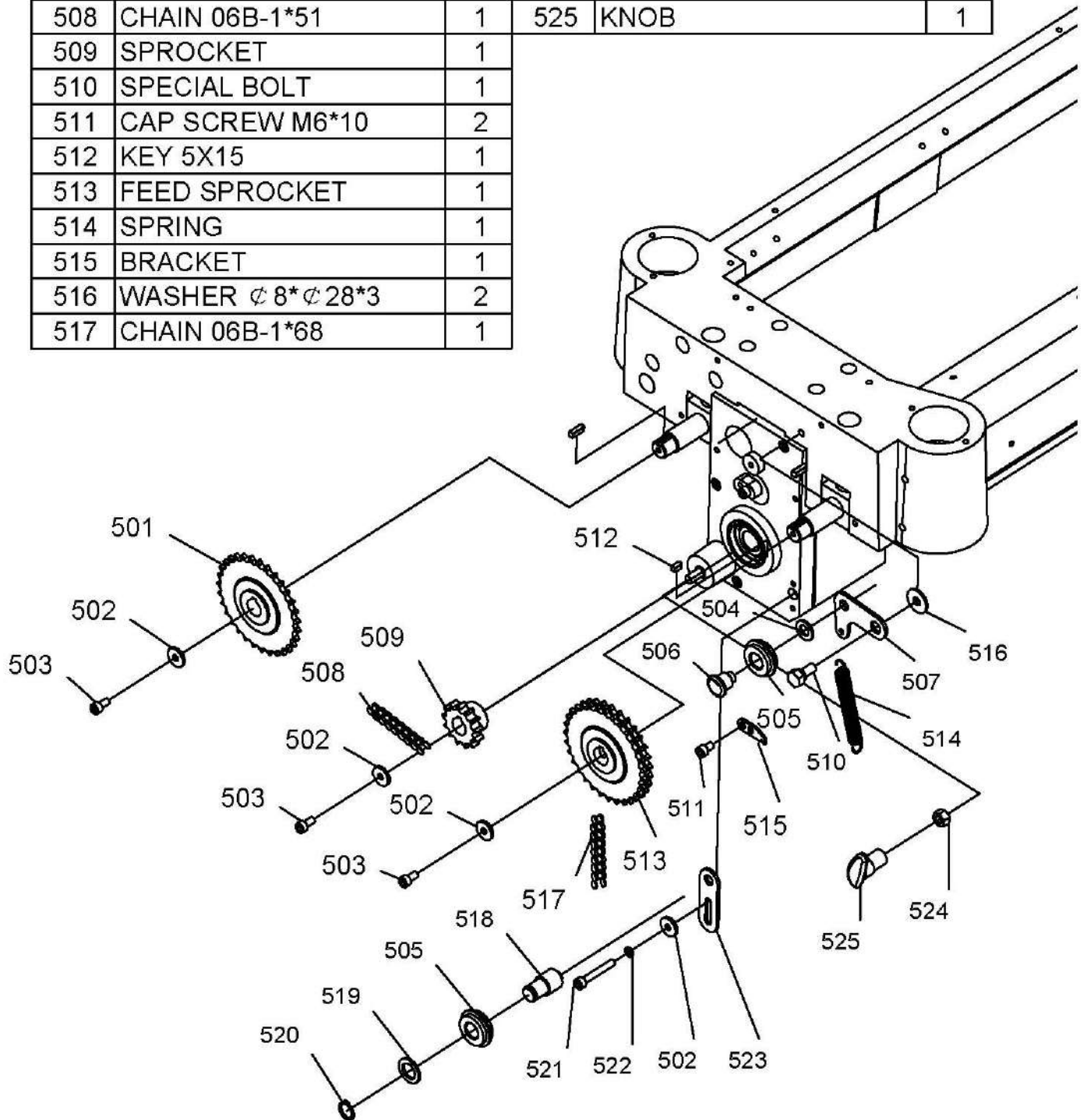
# Gearbox

PART	DESCRIPTION	QTY	PART	DESCRIPTION	QTY
401	GEAR BOX	1	418	GASKET	1
402	OIL SEAL 25*40*7	1	419	GEAR CASE	1
403	BALL BEARING 6204	2	420	KEY A5*40	1
404	GEAR	1	421	STEEL BALL $\phi$ 6	1
405	CAP SCREW M6*25(LEFT)	1	422	TENSION SPRING	1
406	FLAT WASHER 6	1	423	SHAFT	1
407	FLANGE BOLT M6*12	2	424	OIL SEAL 25*47*7	1
408	BEARING 6201	5	425	LOCK WASHER $\phi$ 8	4
409	GEAR	1	426	CAP SCREW M8*45	4
410	GEAR AND SHAFT	1	427	HEX BOLT M12*1.25*16	2
411	KEY A5*12	1	428	CAP SCREW M6*25	4
412	GEAR	1	429	SHIFTER	1
413	KEY A5*10	1	430	SHIFTING SHAFT HADNLE	1
414	GEAR 2-SPEED	1	432	LOCK WASHER $\phi$ 6	2
415	OIL SEAL 11.8*2.65	1	433	OIL SEAL 9*1.8	2
416	FLAT WASHER 6	1	434	ROLL PIN 5*25	2
417	DOUBLE GEAR	1			



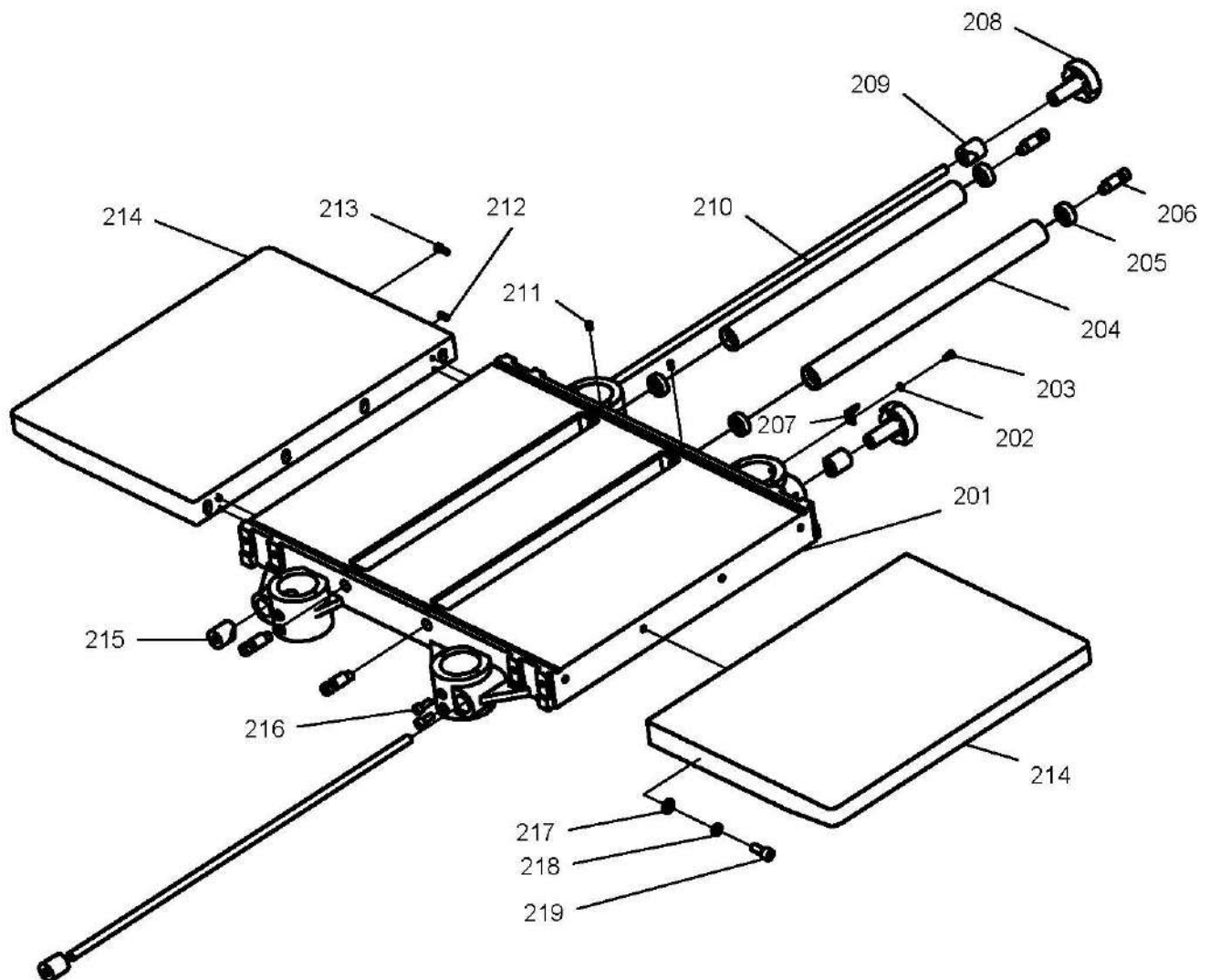
# Feed Gearing

PART	DESCRIPTION	QTY	PART	DESCRIPTION	QTY
501	SPROCKET	1	518	SHAFT	1
502	WASHER	4	519	WASHER	1
503	CAP SCREW M6X16	3	520	EXT RET RING 15	1
504	FLAT WASHER $\phi$ 10	1	521	CAP SCREW M6*40	1
505	CHAIN TENSIONER	2	522	LOCK WASHER 6	1
506	SHAFT	1	523	BRACHET	1
507	BRACKET	1	524	NUT M8	1
508	CHAIN 06B-1*51	1	525	KNOB	1
509	SPROCKET	1			
510	SPECIAL BOLT	1			
511	CAP SCREW M6*10	2			
512	KEY 5X15	1			
513	FEED SPROCKET	1			
514	SPRING	1			
515	BRACKET	1			
516	WASHER $\phi$ 8* $\phi$ 28*3	2			
517	CHAIN 06B-1*68	1			



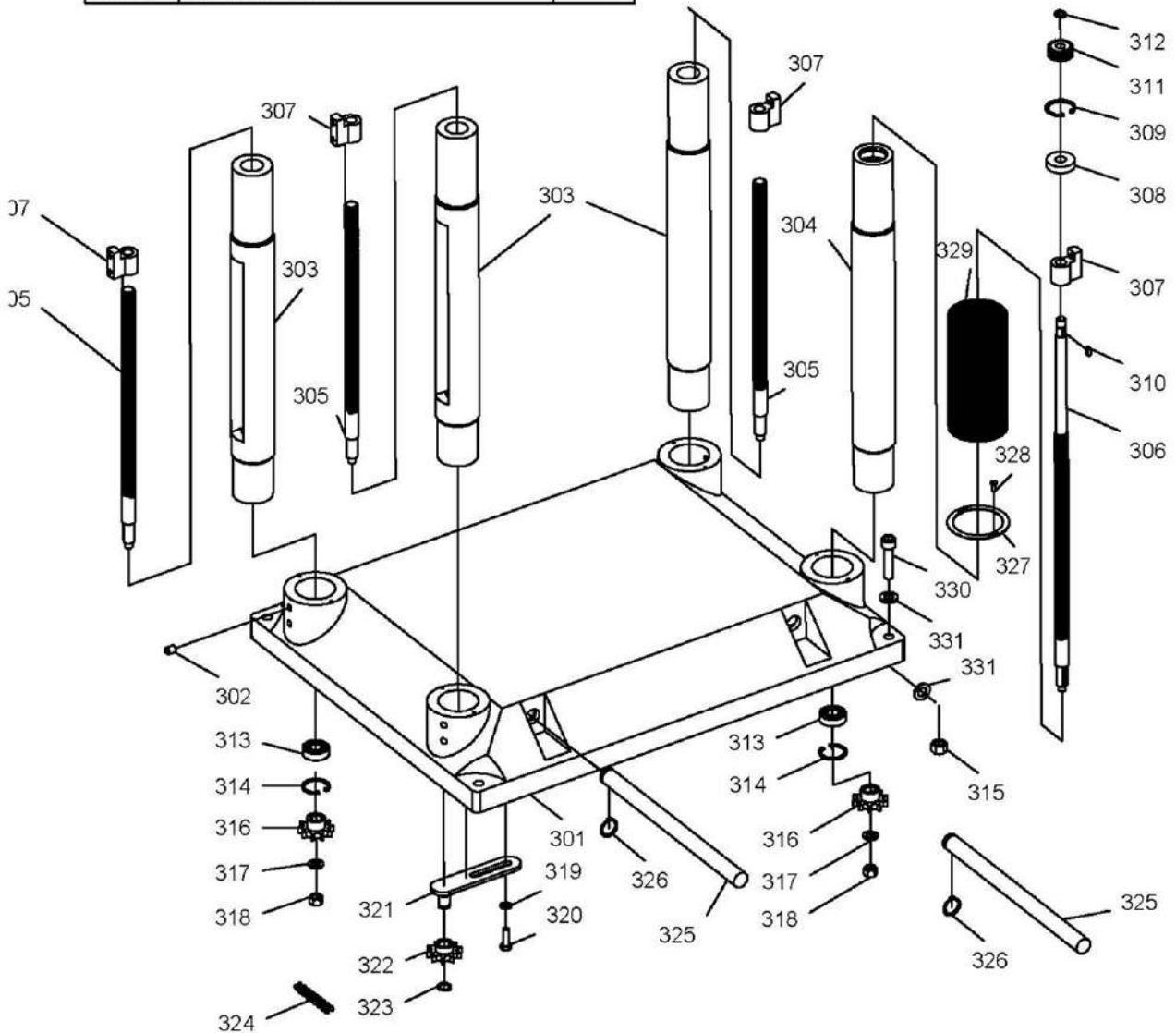
## Table(With Cast-iron Extension Tables)

PART	DESCRIPTION	QTY	PART	DESCRIPTION	QTY
201	MAIN TABLE	1	211	SET SCREW M6*12	4
202	FLAT WASHER 5	1	212	SET SCREW M6*16	4
203	CAP SCREW M5*10	1	213	CAP SCREW M6*16	4
204	BED ROLLER	2	214	TABLE EXTENSION WING	2
205	BEARING 6201	4			
206	ECCENTRIC SHAFT	4	215	LOCK BLEEVE	2
207	POINTER	1	216	CAP SCREW M8*20	8
208	STAR KNOB M12	2	217	FLAT WASHER 10	8
209	GIB	2	218	LOCK WASHWER 10	8
210	LOCKING ROD	2	219	CAP SCREW M10*25	8



# Base

PART	DESCRIPTION	QTY	PART	DESCRIPTION	QTY
301	BASE	1	317	FLAT WASHER 10	4
302	SET SCREW M10*12	8	318	HEX NUT M10	4
303	COLUMN	3	319	FLAT WASHER 8	2
304	COLUMN	1	320	HEX BOLT M8X25	2
305	LEAD SCREW	3	321	BRACKET	1
306	LEAD SCREW	1	322	SPROCKET	1
307	LEAD SCREW NUT	4	323	EXT RET RING 15	1
308	BUSHING	1	324	CHAIN	1
309	INT RET RING 38	1	325	CRANE POST	4
310	KEY 4X12	1	326	EXT RET RING 22	4
311	GEAR	1	327	PIPE BAND	16
312	EXT RET RING 12	1	328	CAP SCREW M4*10	32
313	BALL BEARING 6202	4	329	EXPANSION BAND	8
314	INT RET RING 35	4	330	HEX BOLT M12*40	4
315	HEX NUT M12	4	331	FLAT WASHER 12	8
316	SPROCKET	4			



## STAND (MOBILITY KIT )

PART	DESCRIPTION	QTY	PART	DESCRIPTION	QTY
601	STAND	1	621	PEDAL BRACKET	1
602	BACK COVER	2	622	LOCK NUT M8	1
603	PHI HEAD SCREW M6*16	8	623	CAP SCREW M8*50	3
604	MOTOR	1	624	PEDAL	1
605	KEY 8*40	1	625	LOCK NUT M10	1
606	CAP SCREW M6*16	4	626	TROLLEY UNIVERSAL KIT BRACKET	1
607	MOTOR MOUNT PLATE	1	627	INT RET RING 35	4
608	LOCK COLLAR	2	638	BEARING 6202	2
609	LOCK WASHER 8	9	629	TROLLEY WHEEL SLEEVE	1
610	HEX NUT M8	7	630	CAP SCREW M10*70	1
611	FLAT WASHER 8	10	631	TROLLEY UNIVERSAL KIT	1
612	PLATE CONNECTING ROD	2	632	CAP SCREW M8*100	1
613	FLAT WASHER12	6	633	RUBBER FOOT M10*35	2
614	HEX NUT M12	4	634	HEX NUT M10	2
615	ADJUST BOLT	2	635	UNIVERSAL WHEEL	2
616	FENDER WASHER 8	4	636	UNIVERSAL WHEEL SLEEVE	2
617	HEX BOLT M8*40	4	637	CAP SCREW M8*60	2
619	E-CLIP 9MM	2	638	STRAIN RELIEF M20*1.5	1
620	SHAFT	1	639	POWER CORD	1

