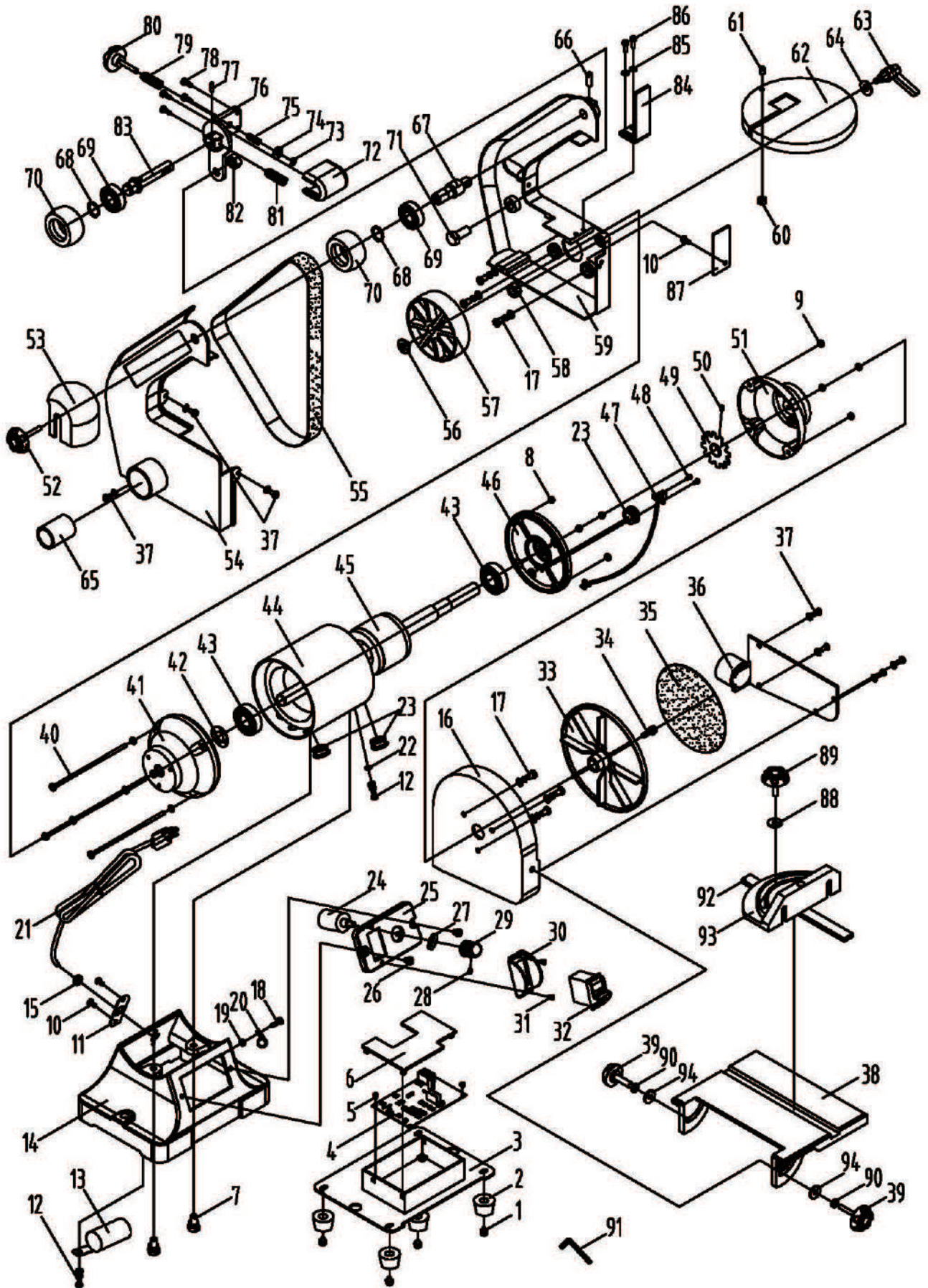


EXPLODED VIEW



PARTS LIST

No.	Name	Spec	QTY
1	Screw+Large flat washer	M5X16	4
2	Rubber foot		4
3	Base plate		1
4	Circuit board		1
5	Screw	ST2.9x5	2
6	Circuit board box cover		1
7	Hexagon head bolt + spring washer	M8x22	2
8	Hexagon flange nut	M5	4
9	Hexagon flange nut	M5	4
10	Screw	M4X8	3
11	Wire card base plate		1
12	Screw+spring washer+washer	M4X8	2
13	Capacitor		1
14	Base		1
15	6P4		1
16	Sanding disc cover		1
17	Screw+spring washer+washer	M5X18	6
18	Screw	M4X16	1
19	Hexagon flange nut	M4	1
20	Wire fixing twist	(3/16)	1
21	Power cord		1
22	External tooth lock washer	φ4	1
23	Lead wire sheath		3
24	Potentiometer		1
25	Switch Panel		1
26	Screw	M5X8	2
27	Knob rubber pad		1
28	Screw		1
29	Speed control handle		1
30	Switch guard		1
31	Screw	M3x10	2
32	Switch		1
33	Sanding disc plate		1
34	Screw+external tooth lock washers	M6X16	1
35	Sandpaper	150mm	1
36	Sand disc cover		1
37	Screw+washer	M4X8	7
38	Worktable		1
39	Worktable lock handle		2
40	Screw+washer	M5x160	4
41	Left end cap		1
42	Wave spring washer	D40	1
43	Deep groove ball bearing	6203RZ	2
44	Stator		1
45	Rotor		1
46	Right end cap		1
47	Feedback Line		1

No.	Name	Spec	QTY
48	Screw	M2.5X6	2
49	Feedback plate		1
50	Screw	M5x6	1
51	Right protective cover		1
52	Cover locking handle		1
53	Sanding belt shield		1
54	Sand belt support cover plate		1
55	Belt		1
56	Screw+washer	M5X16	1
57	Driver		1
58	Hexagon nut	M8	1
59	Sand belt support		1
60	Hexagon nut	M6	1
61	Screw	M6X20	1
62	Sanding belt table		1
63	Locking handle assembly		1
64	Large washer	φ8	1
65	Dust port connecting pipe		1
66	Screw	M6X8	1
67	Driven shaft		1
68	Circlip for shaft	φ15	2
69	Deep groove ball bearing	6202RZ	2
70	Driven pulley		2
71	Hexagon head bolt	M10X25	1
72	Adjust shaft guard		1
73	Split washer	φ3.5	1
74	Large washer	φ5	1
75	Adjustment springII		1
76	Adjustment of the fixing plate		1
77	Flexible cylindrical pin	3X20	1
78	Self-tapping screws	4.2X16	4
79	Adjustment springI		1
80	Adjustment handle		1
81	Adjustment spring		1
82	Lock nut	M10	1
83	Adjustment shaft		1
84	Sanding belt limit plate		1
85	Washer	φ4	2
86	Hexagon cylindrical head bolt	M4X10	2
87	Sand belt protection plate		1
88	Large washer	φ6	1
89	Handle of indexing plate		1
90	Lightened spring washer	φ6	2
91	Allen wrench		1
92	Miter bar		1
93	Table index plate		1
94	Washer	φ6	2