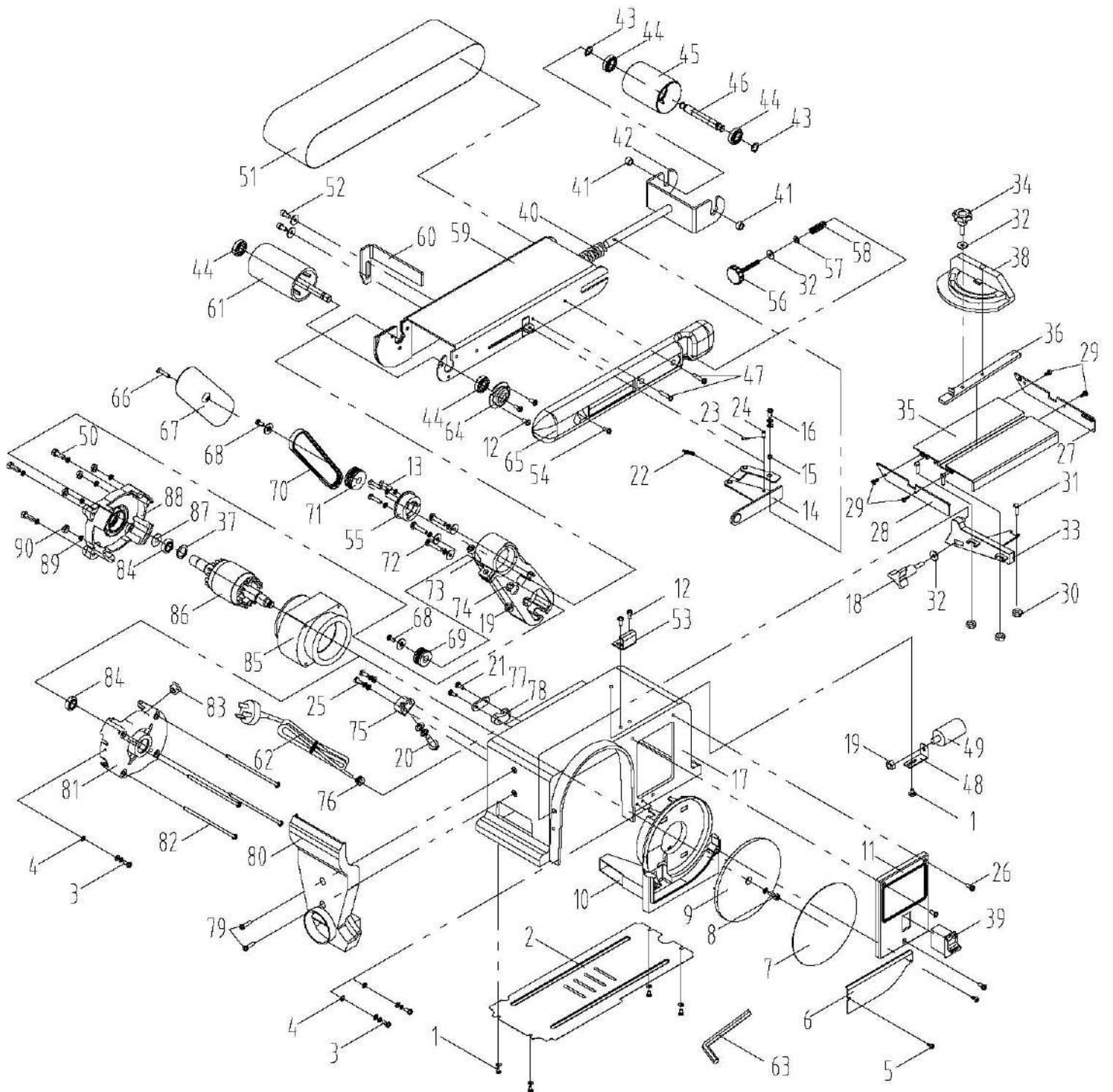


EXPLODED VIEW



PARTS LIST

No.	Name	Spec	Qty
1	Screw + Spring washer + Washer	M4X6	5
2	Baseplate		1
3	Screw + Spring washer + Washer	M4X7	3
4	Lock washer	φ4	3
5	Screw	ST4.2X10	2
6	Disc Cover		1
7	Sandpaper	150mm-80#	1
8	Screw + Lock washer	M6X16	1
9	Disc		1
10	Wheel Box		1
11	Switch panel		1
12	Screw	M5X8	5
13	Screw + Spring washer	M5X25	3
14	Tension Handle		1
15	Bushing		1
16	Screw + Washer + Large washer	M5X16	1
17	Base		1
18	Table lock handle		1
19	Hexagon nut	M8	2
20	Screw + Spring washer + washer	M8X30	1
21	Screw	M4X20	2
22	Tension spring		1
23	Cotter	1.6X10	1
24	Hinge pin	5X10	1
25	Screw + Spring washer + Wsher	M5X12	2
26	Screw	M4X10	3
27	Work table right baffle		1
28	Work table left baffle		1
29	Screw	3.5*9.5	4
30	Hexagon nut with flange	M6	3
31	Hexagon bolt	M6*14	3
32	Flat washer	φ6	3
33	Work Table Support		1
34	Index dial handle		1
35	Work Table		1
36	Miter bar		1
37	Circlip for shaft	D17	1
38	Index plate		1
39	Switch		1
40	Compressed spring		1
41	Hube		2
42	Guide Support		1
43	Circlip for shaft	D12	2
44	Bearing	6001-2RS	4
45	Driven Roller		1

No.	Name	Spec	Qty
46	Driven Shaft		1
47	Screw	M5*25	2
48	Capacitor support		1
49	Capacitor		1
50	Hexagon head bolt + Spring washer	M6X20	3
51	Belt	100*914mm	1
52	Screw + Washer	M8X16	2
53	Brace		1
54	Screw	M5x16	1
55	Bearing pedestal		1
56	Belt adjusting handle		1
57	Rubber washer		1
58	Regulating spring		1
59	Support assy		1
60	Limit Board		1
61	Driving Roller		1
62	Power cord		1
63	Hex wrench	M6X90X32	1
64	Bearing Hat		1
65	Support Guard		1
66	Screw + Washer	M5x25	1
67	Belt cover plate		1
68	Screw + abnormal lock washer	M5x16	2
69	Motor shaft wheel		1
70	Belt		1
71	Driven Wheel		1
72	Screw + Spring washer + Washer	M6x25	3
73	Hexagon socket head bolt	M8X25	1
74	Belt cover		1
75	Belt cover support plate		1
76	Strain relief	6P4	1
77	Strain relief board		1
78	Strain relief plate		1
79	Screw	M5*20	2
80	Dust Guard		1
81	Front End Cover		1
82	Screw	M6*113	4
83	Retainer		1
84	Bearing	6003-2RS	2
85	stator		1
86	Rotor		1
87	Corrugated spring washer	φ35	1
88	Rear end cover		1
89	Spring washer	φ6	4
90	Hexagon nut	M6	4