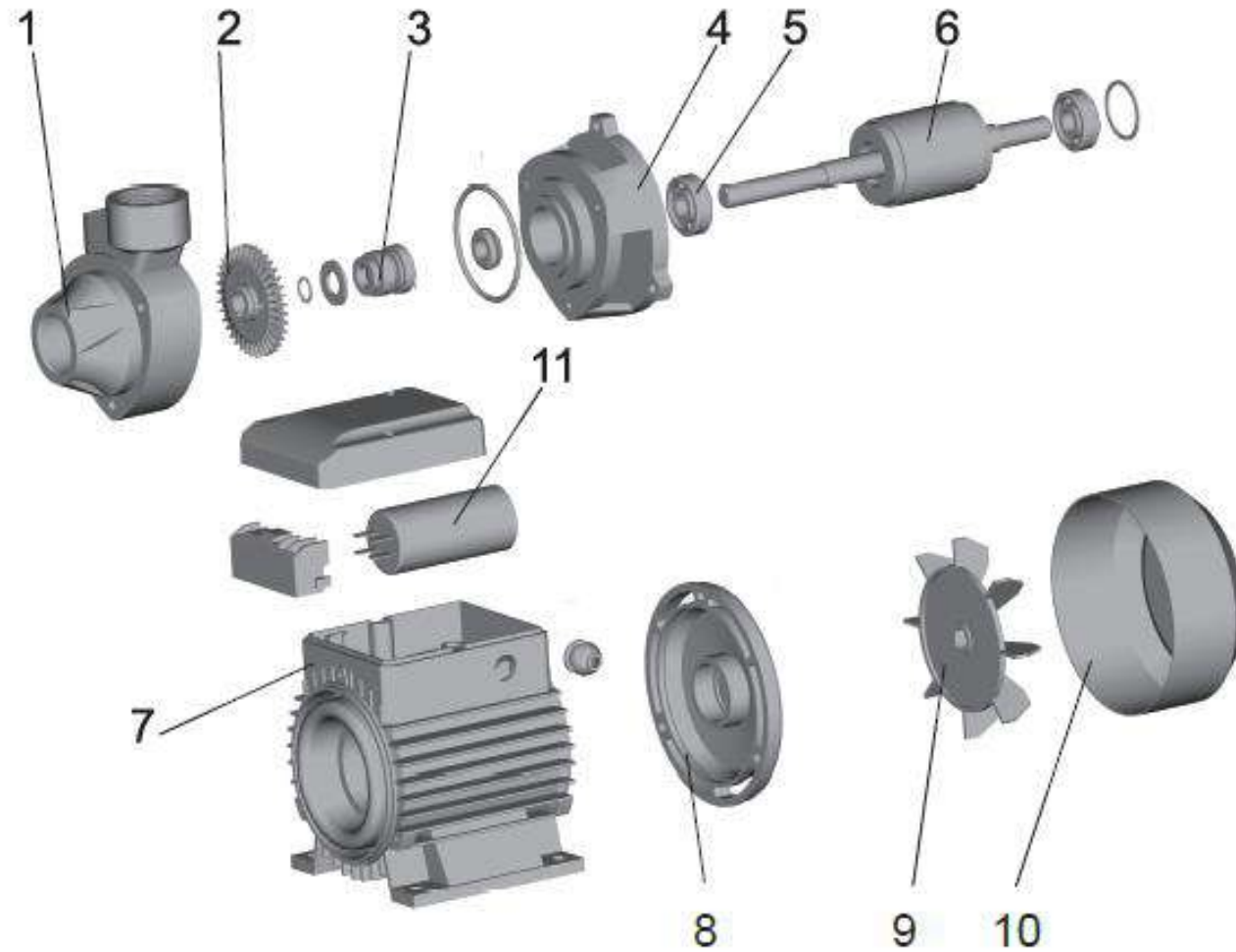


DESPIECE



| Part | |
|-------------|-----------------|
| 1 | Pump body |
| 2 | Impeller |
| 3 | Mechanical seal |
| 4 | Support |
| 5 | Bearing |
| 6 | Rotor |
| 7 | Stator |
| 8 | Rear cover |
| 9 | Fan |
| 10 | Fan cover |
| 11 | Capacitor |