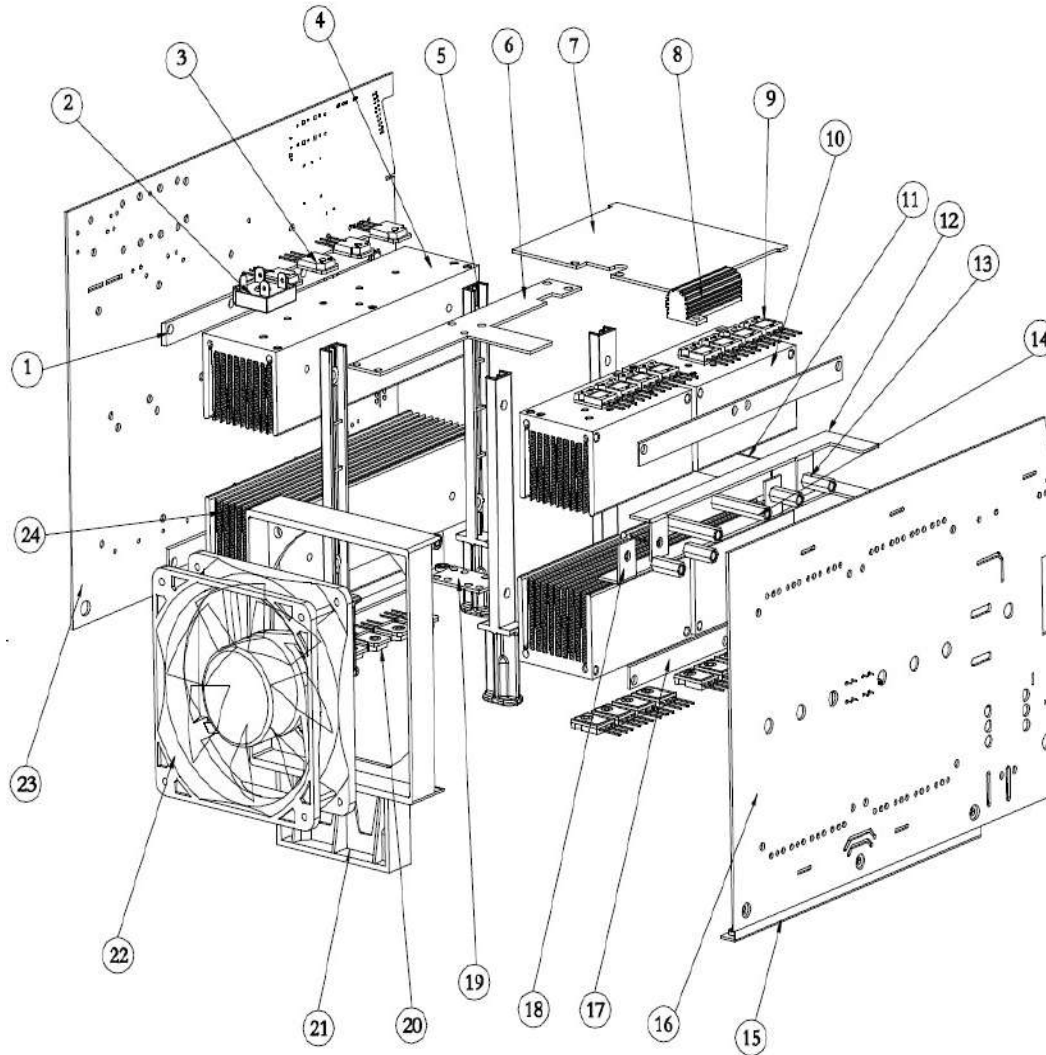


No.	Part no.	Part name	Qty.
1	10042887	louver	1
2	10052412	display panel	1
3	10052407	display control PCB	1
4	10052403	cover	1
5	10041724	handel	1
6	10048680	rear panel	1
7	10052420	cover connector	2
8	10052404	Fixed front and rear corner support	4
9	10052417	rear wind shield	1
10	10041723	gas inlet	1
11	10052949	main PCB	1
12	10052413	base of machine	1
13	10040667	solenoid valve	1
14	10042328	solenoid valve bracket	1
15	10069859	current sensor	1
16	10052414	output connection1	1
17	10052415	output connection2	1
18	10052460	front panel	1
19	10041712	brand plate	1
20	10004685	aviation socket	1
21	10041723	gas connector	1
22	10045432	quick socket	2



No.	Part no.	Part name	Qty.
1	10052419	insulating plate	2
2	10052479	S50VB100DT 1000V	1
3	51000307	IGBT	4
4	10054540	heat sink	1
5	10052430	column	4
6	10052428	side windshield	1
7	10052444	control board	1
8	51000426	resistor	1
9	51000093	MOSFET	14
10	10052462	heat sink	4
11	10052416	copper connection	1
12	10052409	copper connection	1
13	10052512	bolt	4
14	10052436	bolt2	2
15	10052418	pcb support	2
16	10070466	secondary inverting board	1
17	10052411	insulating plate	2
18	10052511	copper connection	1
19	10052402	copper connection1	1
20	10043957	diode	8
21	10052428	windshield	1
22	51000334	DC fan	1
23	10052949	main board	1
24	10052461	heat sink2	1