






PM-285665B

2022-05

Processes

 MIG (GMAW) Welding
Flux Cored (FCAW) Welding

 Stick (SMAW) Welding

 TIG (GTAW) Welding

 Air Carbon Arc (CAC-A) Cutting and Gouging

Description

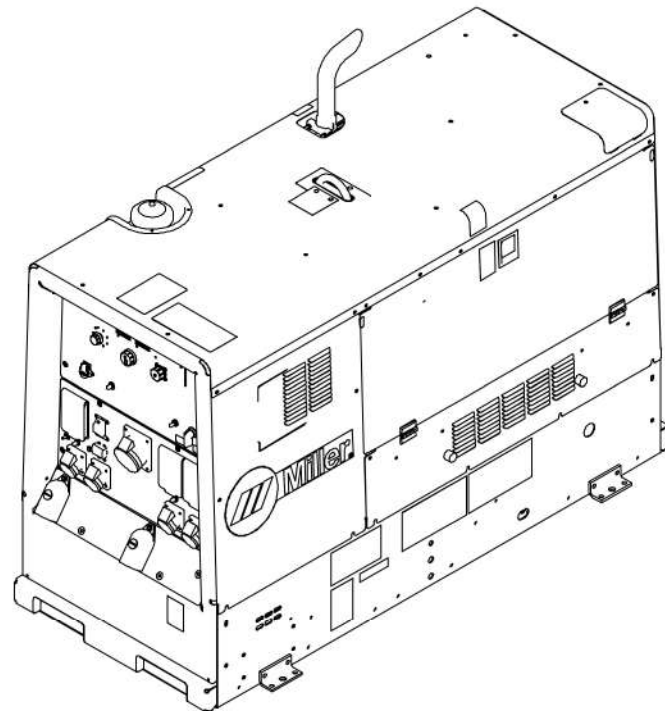


Engine Driven Welder/Generator

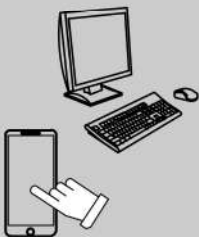
Big Blue[®] 500 X Pro

Deutz

Eff w/Serial No. MK220318R And Following



PARTS MANUAL




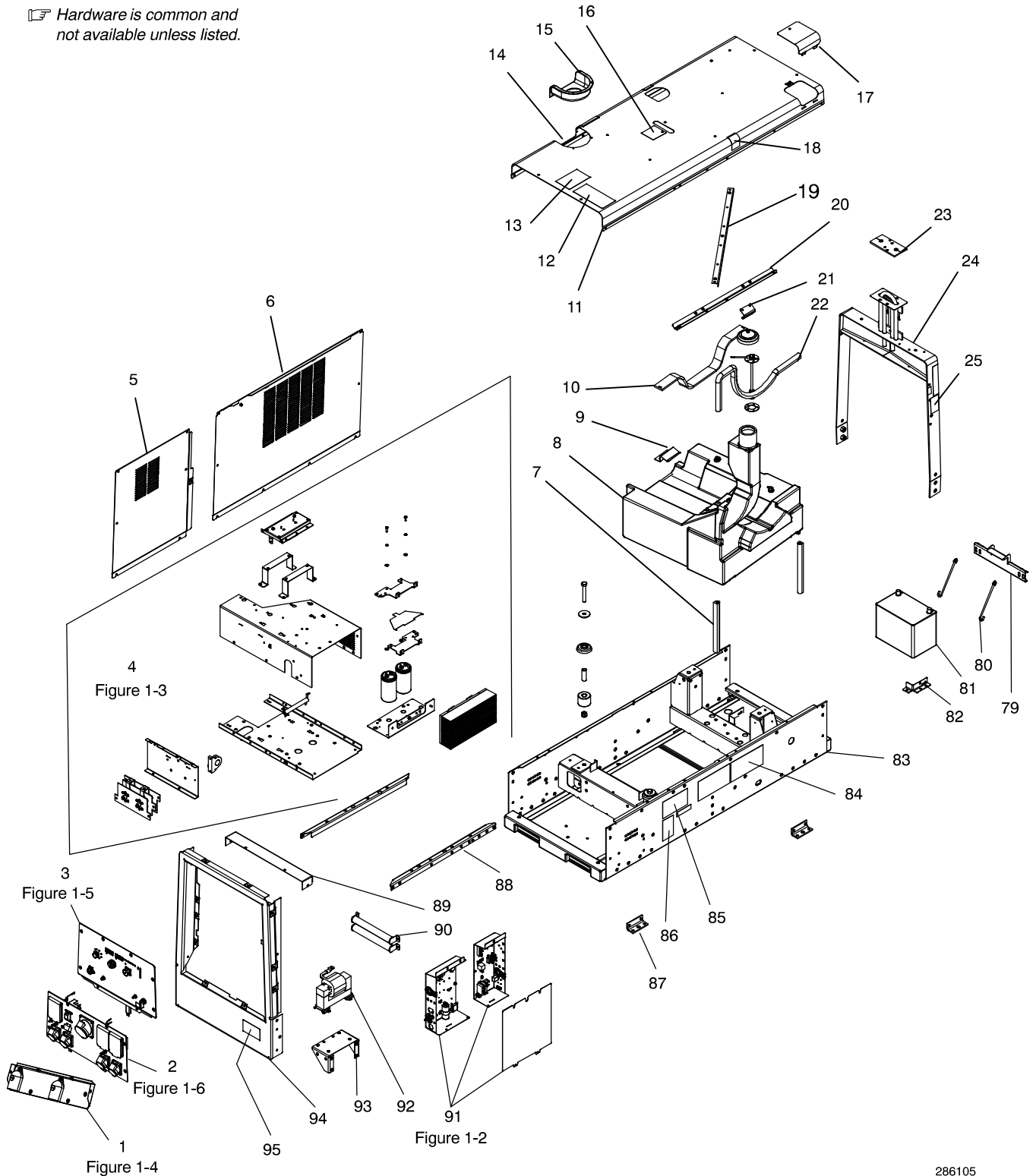
For product information,
Owner's Manual translations,
and more, visit

www.MillerWelds.com

SECTION 1 – PARTS LIST

EFF w/SERIAL NO. MK220318R AND FOLLOWING

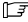
 Hardware is common and not available unless listed.



286105

Figure 1-1. Main Assembly

Eff w/Serial No. MK220318R And Following

 Hardware is common and not available unless listed.

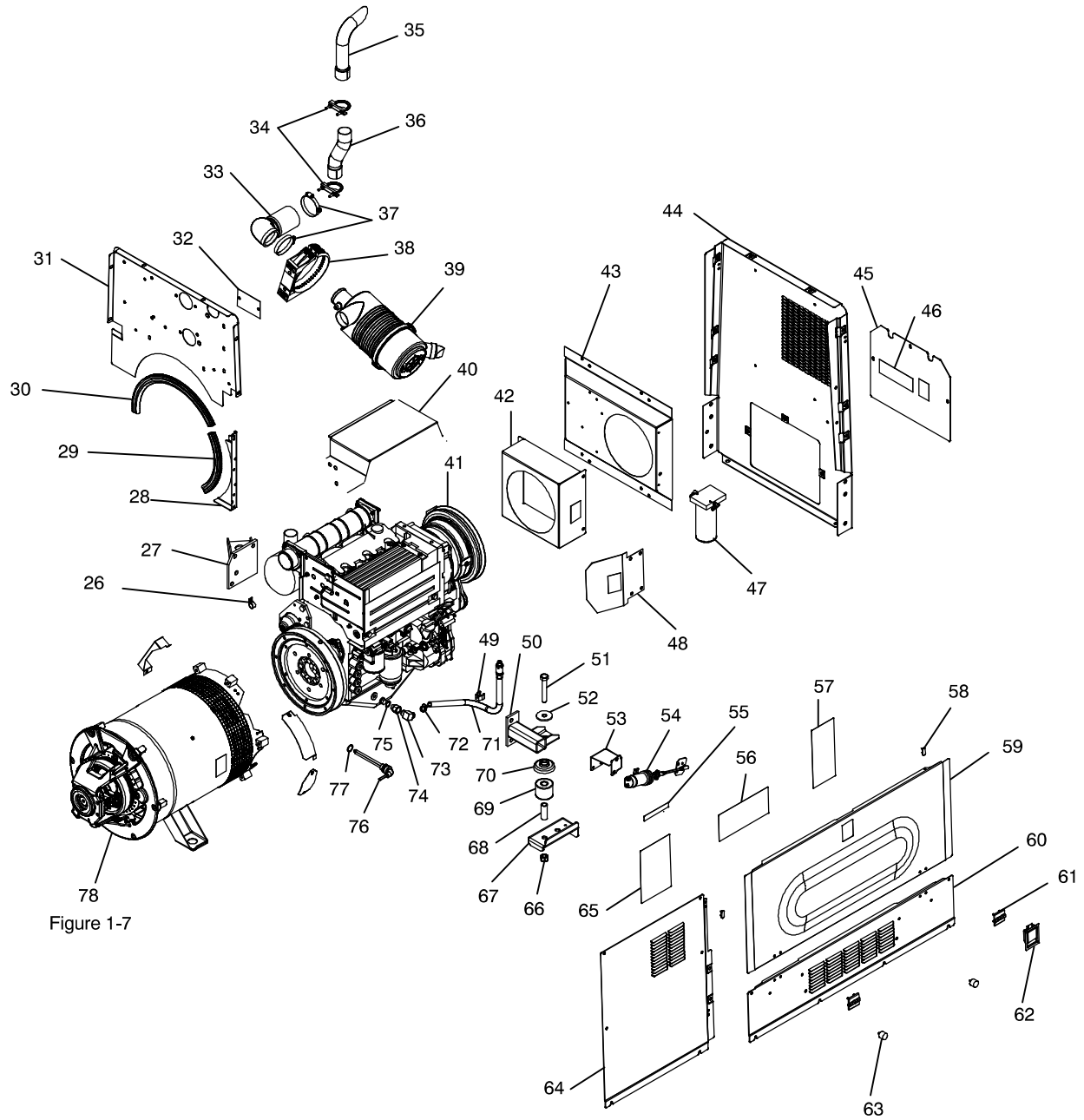


Figure 1-7

Ref. 907 603-3

Eff w/Serial No. MK220318R And Following

| Item No. | Dia. Mkgs. | Part No. | Description | Quantity |
|----------------------------------|------------|------------|---|----------|
| Figure 1-1. Main Assembly | | | | |
| 1 | | Figure 1-4 | Panel, Weld Output | 1 |
| 2 | | Figure 1-6 | Panel, Auxiliary Power | 1 |
| 3 | | Figure 1-5 | Front Panel | 1 |
| | TE1 | 255682 | Block, Term Assy Standard W/Clamp | 1 |
| | CT1 | 105370 | Xfmr, Current | 1 |
| 4 | | Figure 1-3 | Weld Control Assembly | 1 |
| 5 | | 256872 | Panel, Generator Lh | 1 |
| 6 | | 262985 | Panel, Engine Lh (Zinc/Blue) | 1 |
| 7 | | 263419 | Extrusion,Rubber W/Adhesive 12.000lg | 2 |
| 8 | | 257007 | Tank, Fuel | 1 |
| | | 258260 | Fuel Line Assy,W/Clamps 36.000 In | 1 |
| | | 258232 | Fuel Line Assy,W/Clamps 42.000 In | 1 |
| 9 | | 196220 | Bracket, Holddown Fuel Tank Rear | 1 |
| 10 | | 218086 | Bracket, Holddown Fuel Tank | 1 |
| 11 | | +263316 | Cover, Top | 1 |
| 12 | | 282178 | Label, Warning Breathing Diesel Engine Exhaust | 1 |
| 13 | | 272340 | Label, Danger Using Generator Indoor (En/Fr/Sp-Sym) | 1 |
| 14 | | 227728 | Label, Warning Use Diesel Fuel Only (Trilingual) | 1 |
| 15 | | 189052 | Grommet, Plastic Neck Filler Fuel | 1 |
| 16 | | 272339 | Label, Warning Falling Equipment (En/Fr-Sym) | 1 |
| | | 194530 | Blank, Snap-In Nyl .343 Mtg Hole X .406 Head | 3 |
| 17 | | 234509 | Cover, Radiator Access | 1 |
| 18 | | 272333 | Label, Warning Hot Parts (En/Fr-Sym) | 3 |
| 19 | | 191354 | Support, Cover | 1 |
| 20 | | 190076 | Channel, Stiffener Engine Access | 1 |
| 21 | | 190992 | Keeper, Latch Engine Access Door | 1 |
| 22 | | 263420 | Extrusion, Rubber W/Adhesive 41.000lg | 1 |
| 23 | | 189464 | Seal, Weather Lift Eye | 1 |
| 24 | | 201658 | Upright, Center Assy | 1 |
| 25 | | 272334 | Label, Warning Moving Parts (En/Fr-Sym) | 7 |
| 26 | | 020279 | Clamp, Stl Cush .687 Dia X .281 Mtg Hole | 5 |
| 27 | | 197370 | Bracket, Mtg Engine Lh F311011 | 1 |
| 28 | | 189731 | Firewall, Bottom | 1 |
| 29 | | 263421 | Extrusion, Rubber Clamp/Bulb 11.500lg | 1 |
| 30 | | 263422 | Extrusion, Rubber Clamp/Bulb 21.000lg | 1 |
| 31 | | 189708 | Firewall, Top | 1 |
| 32 | | 191307 | Cover, Blank | 1 |
| 33 | | 191829 | Hose, Air Intake | 1 |
| 34 | | 010875 | Clamp, Muffler 2.000 Dia U Pld | 2 |
| 35 | | 105734 | Pipe, Muffler Extension Elbow 1.750 Od | 1 |
| 36 | | 201592 | Pipe, Exhaust | 1 |
| 37 | | 023313 | Clamp, Hose 1.312 - 3.500 Clp Dia | 2 |
| 38 | | 189763 | Bracket, Mtg Air Cleaner | 1 |
| 39 | | 189764 | Air Cleaner, Intake | 1 |
| 40 | | 197639 | Baffle, Air | 1 |
| 41 | | 261639 | Engine, Deutz Dsl Elec D2011I03i (Flex) | 1 |
| | | *190059 | Glow Plug | 1 |
| 42 | | 201715 | Box, Air Intake Extension | 1 |
| 43 | | 201714 | Box, Air Intake | 1 |
| 44 | | 201748 | Upright, Rear Air Cooled | 1 |
| 45 | | 201183 | Cover, Battery Access | 1 |
| 46 | | 272341 | Label, Warning Battery Explosion (En/Fr-Sym) | 1 |
| 47 | | 206297 | Base, Fuel Filter Assy | 1 |
| | | *192744 | Filter, Fuel Spin-On | 1 |
| 48 | | 215252 | Guard, Belt | 1 |
| 49 | | 192362 | Bracket, Mtg Nyl 1/2 Conduit | 1 |
| 50 | | 197366 | Bracket, Mtg Engine Rh Deutz F311011 | 1 |
| 51 | | 199849 | Screw, 625-11x4.00 Hex Hd-Pln Gr5 Pld | 2 |

Eff w/Serial No. MK220318R And Following

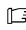
| Item No. | Dia. Mkgs. | Part No. | Description | Quantity |
|--|------------|------------|---|----------|
| Figure 1-1. Main Assembly (Continued) | | | | |
| 52 | | 071731 | Washer, Flat .656idx2.250odx.187t Stl Pld | 2 |
| 53 | | 269216 | Bracket, Mtg Solenoid | 1 |
| 54 | | 174064 | Idle, Solenoid Assy | 1 |
| 55 | | 227731 | Label, Caution Do Not Use Ether (Trilingual) | 2 |
| 56 | | 237352 | Label, Maintenance Big Blue Deutz Series | 1 |
| 57 | | 278439 | Label, Fuel/Hour/Engine Shutdown | 1 |
| 58 | | 191626 | Bumper, Door Access Engine | 2 |
| 59 | | 200989 | Door, Engine Access | 1 |
| 60 | | 269531 | Panel, Rocker | 1 |
| 61 | | 189975 | Hinge, Door Access 180 Deg | 2 |
| 62 | | 245362 | Latch, Paddle Series 20 (Black) | 1 |
| 63 | | 254634 | Bumper, Door 1.000 Od X .750 High Nprn 50 Duro | 2 |
| 64 | | 269211 | Panel, Generator Rh | 1 |
| 65 | | 278415 | Label, Help Codes | 1 |
| 66 | | 135205 | Nut, 625-11 .94hex .77h Stl Pld Elastic Stop Nut | 2 |
| 67 | | 197373 | Bracket, Support Base Rh F311011 | 1 |
| 68 | | 071730 | Tubing, Stl .875 Od X 12ga Wall X 20 Ft | 2 |
| 69 | | 083476 | Mount, Eng/Gen Nprn .875id X 2.500od X 2.000 60 Dur | 2 |
| 70 | | 071890 | Retainer, Mount Eng/Gen | 2 |
| 71 | | 199505 | Hose Assy, Oil Drain32.000 Lg | 1 |
| 72 | | 023562 | Clamp, Hose .312 - .875 Clp Dia | 1 |
| 73 | | 176528 | Ftg, Hose Brs Barbed Elbow M 1/2 Tbg X 1/2 Npt | 1 |
| 74 | | 173336 | Ftg, Adapter Oil Drain | 1 |
| 75 | | 066298 | Washer, Seal Oil Cu .722 Id X .937 Od X .056 T | 1 |
| 76 | | 207847 | Heater, Oil Pan 120v 300w 22mm X 1.5 Metric Thd | 1 |
| 77 | | 047235 | Washer, Seal Oil Cu .879 Id X 1.059 Od X .056 T | 1 |
| 78 | | Figure 1-7 | Generator Assembly | 1 |
| | | 263418 | Extrusion, Rubber W/Adhesive 4.250lg | 1 |
| | | 190206 | Cable, Bat Neg 42.000 No 1 Awg W/Clamp & .400 Rng | 1 |
| | | 264020 | Cable, Bat Pos 45.000 No 1 Awg W/Clamp & .400 Rng | 1 |
| 79 | | 266385 | Bracket, Battery Holddown | 1 |
| 80 | | 201006 | Bolt, J Stl .312-18 X 8.000 Pld | 2 |
| 81 | | 262473 | Battery, Stor 12V 650 Crk 110 Rsv Gp 24 Maint Free | 1 |
| 82 | | 264924 | Bracket, Battery Locator Adj | 1 |
| 83 | | +262408 | Base | 1 |
| 84 | | 272343 | Label, Warning General Precautionary (En/Fr-Sym) | 2 |
| 85 | | 272342 | Label, Warning Do Not Weld On Base (En/Fr-Sym) | 2 |
| 86 | | 269111 | Label,Rating Card Big Blue 500x Pro | 1 |
| 87 | | 191897 | Bracket, Mtg Unit | 4 |
| 88 | | 206352 | Brace, Front To Center Upright | 2 |
| 89 | | 191448 | Cover, Top Front Upright | 1 |
| 90 | R3, R8 | 189699 | Resistor, Ww Tap 375 W 10 Ohm W/ Mtg Bkt | 2 |
| 91 | | Figure 1-2 | Control Box Assembly | 1 |
| 92 | Z1 | 286088 | Stabilizer | 1 |
| 93 | | 248940 | Bracket, Mtg Stabilizer | 1 |
| 94 | | 252490 | Upright, Front | 1 |
| 95 | | 278512 | Label,Arcreach | 1 |
| | | *276418 | USB Flash Drive | 1 |
| | | *283579 | Kit, Label | 1 |

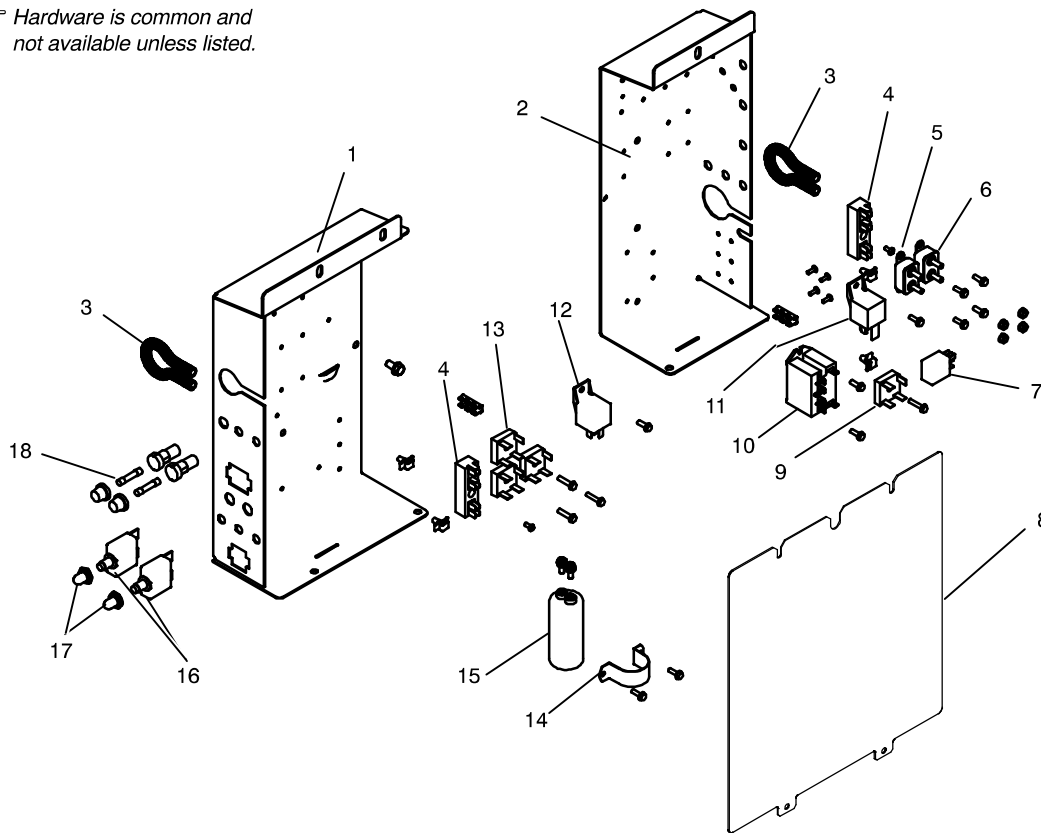
+ When ordering a component originally displaying a precautionary label, the label should also be ordered.

*Recommended Spare Parts.

To maintain the factory original performance of your equipment, use only Manufacturer's Suggested Replacement Parts. Model and serial number required when ordering parts from your local distributor.

Eff w/Serial No. MK220318R And Following

 Hardware is common and not available unless listed.



285666-A

Figure 1-2. Control Box

| Item No. | Dia. Mkgs. | Part No. | Description | Quantity |
|----------|------------|----------|-------------|----------|
|----------|------------|----------|-------------|----------|

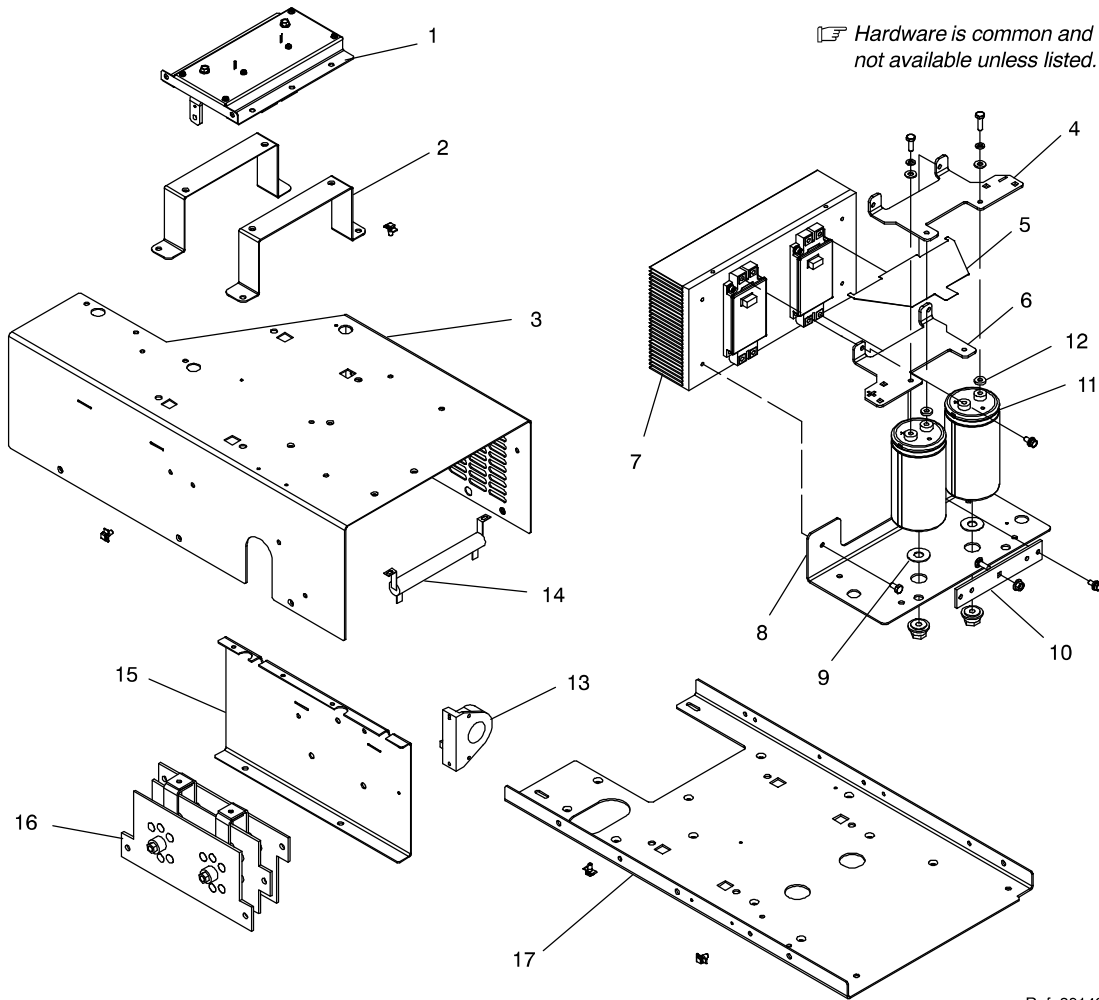
Figure 1-2. Control Box (Figure 1-1, Item 91)

| | | | | |
|-----|----|------------------|---|-------|
| ... | 1 | 258577 | .. Control Box, Lh | 1 |
| ... | 2 | 258576 | .. Control Box, Rh | 1 |
| ... | 3 | 110463 | .. Tubing, Corrugated Plastic Slit .250 Dia Xcoil | 6 in. |
| ... | 4 | TE2, TE3 190210 | .. Block, Term 5-3-3 | 2 |
| ... | 5 | CB14 230635 | .. Supplementary Pro, Auto Reset 1p 8a 12VDC Frict | 1 |
| ... | 6 | CB10 190374 | .. Circuit Breaker, Auto Reset 12VDC 40 A | 1 |
| ... | 7 | CR1 252053 | .. Relay,Encl 12vdc Spst 35a/14vdc 5 Pin | 1 |
| ... | 8 | 258582 | .. Cover, Control Box | 1 |
| ... | 9 | SR5 035704 | .. Rectifier, Integ Bridge 40A 800V | 1 |
| ... | 10 | CR5 223710 | .. Relay, Encl 12VDC Dpst-No 25A 6pin Flange | 1 |
| ... | 11 | CR8 197325 | .. Relay, Encl 12VDC Spst 70A 4pin Flange Mtg | 1 |
| ... | 12 | CR4 173069 | .. Relay, Encl 12VDC Spdt 50A/30A 5pin Flange Mtg | 1 |
| ... | 13 | SR1-2,SR4 035704 | .. Rectifier, Integ Bridge 40A 800V | 3 |
| ... | 14 | 177136 | .. Clamp, Capacitor 1.375 Dia | 1 |
| ... | 15 | C6 087110 | .. Capacitor, Elctlt 240 uF 200 VDC Can 1.39 Di | 1 |
| ... | 16 | CB2,CB4 139266 | .. Supplementary Protector, Man Reset 1p 15A 250VAC | 2 |
| ... | 17 | 190323 | .. Boot, Circuit Breaker Clear Hex Nut | 4 |
| ... | 18 | F1-F2 046432 | .. Holder, Fuse Mintr .250 x 1.250 Panel Mtg | 2 |
| ... | | *085874 | .. Fuse, Mintr Cer Slo-Blo 10. Amp 250 Volt | 2 |
| ... | | 204737 | .. Cable Tie Mount, Winged Push | 4 |
| ... | | 129524 | .. Term, Frict 250 X 032 Uninsul Male .130 Stud Mtg 3pr | 1 |

*Recommended Spare Parts.

To maintain the factory original performance of your equipment, use only Manufacturer's Suggested Replacement Parts. Model and serial number required when ordering parts from your local distributor.

Eff w/Serial No. MK220318R And Following




Ref. 281491 / 278886

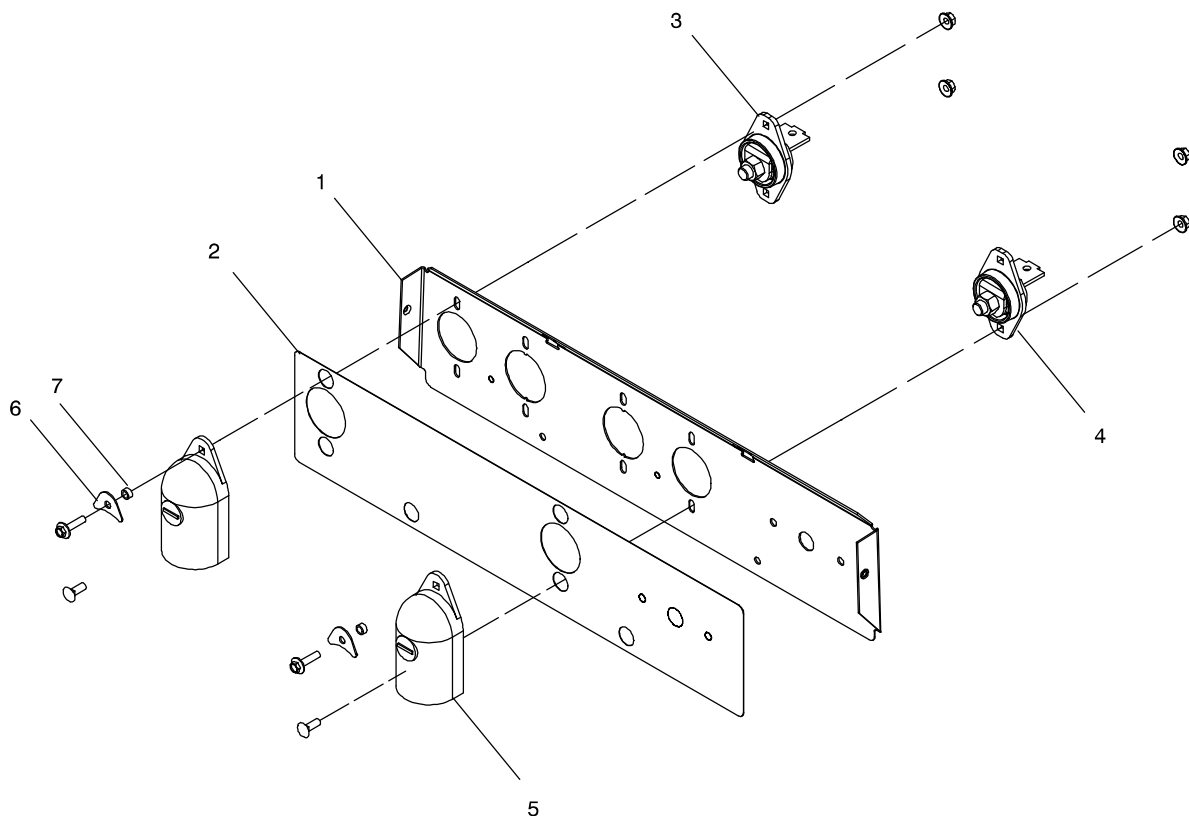
Figure 1-3. Weld Control Assembly

| Item No. | Dia. Mkgs. | Part No. | Description | Quantity |
|---|------------|-------------------|---|----------|
| Figure 1-3. Weld Control Assembly (Figure 1-1, Item 4) | | | | |
| ... | 1 | 269559 | .. Circuit Card Assy, Wcc Filter Network Potted | 1 |
| ... | 2 | 282297 | .. Bracket, Mtg Wcc Filter Network Potted Assy | 2 |
| ... | 3 | 258908 | .. Windtunnel, Rect/Cap | 1 |
| ... | | 278886 | .. Module, IGBT Weld Output (Includes) | |
| ... | 4 | 250348 | Bus Bar, Negative | 1 |
| ... | 5 | 250323 | Insulator, Bus Bar | 1 |
| ... | 6 | 250350 | Bus Bar, Positive | 1 |
| ... | 7 | PM1, PM2 . 278884 | Heat Sink Assy, IGBT | 1 |
| ... | 8 | 250346 | Bracket, Mtg Capacitors | 1 |
| ... | 9 | 239547 | Washer, Flat Nylon .516 Id X 1.250 Od X .062 Thk | 2 |
| ... | 10 | 245378 | Bus Bar, Ac | 1 |
| ... | 11 | C3 . 246841 | Capacitor, Elclt 35000 uF 100 VDC Can 3.00 Dia | 2 |
| ... | 12 | 247093 | Stand-Off, Conductive Bus | 2 |
| ... | 13 | HD1 . 168829 | .. Transducer, Current 1000A Module Max Open Loop | 1 |
| ... | 14 | R10 . 188067 | .. Resistor, Ww Fxd 100 W 200 Ohm W/Clips | 1 |
| ... | 15 | 258909 | .. Bracket, Mtg Rectifier | 1 |
| ... | 16 | SR6 . 255758 | .. Rectifier, Si 3ph 400A 600 Piv 100% Duty Cycle | 1 |
| ... | | 204737 | .. Cable Tie Mount, Winged Push | 7 |
| ... | 17 | 256487 | .. Pan, Vault & Capacitors | 1 |

To maintain the factory original performance of your equipment, use only Manufacturer's Suggested Replacement Parts. Model and serial number required when ordering parts from your local distributor.

Eff w/Serial No. MK220318R And Following

 Hardware is common and not available unless listed.



279324

Figure 1-4. Panel, Weld Output

| Item No. | Dia. Mkgs. | Part No. | Description | Quantity |
|----------|------------|----------|-------------|----------|
|----------|------------|----------|-------------|----------|

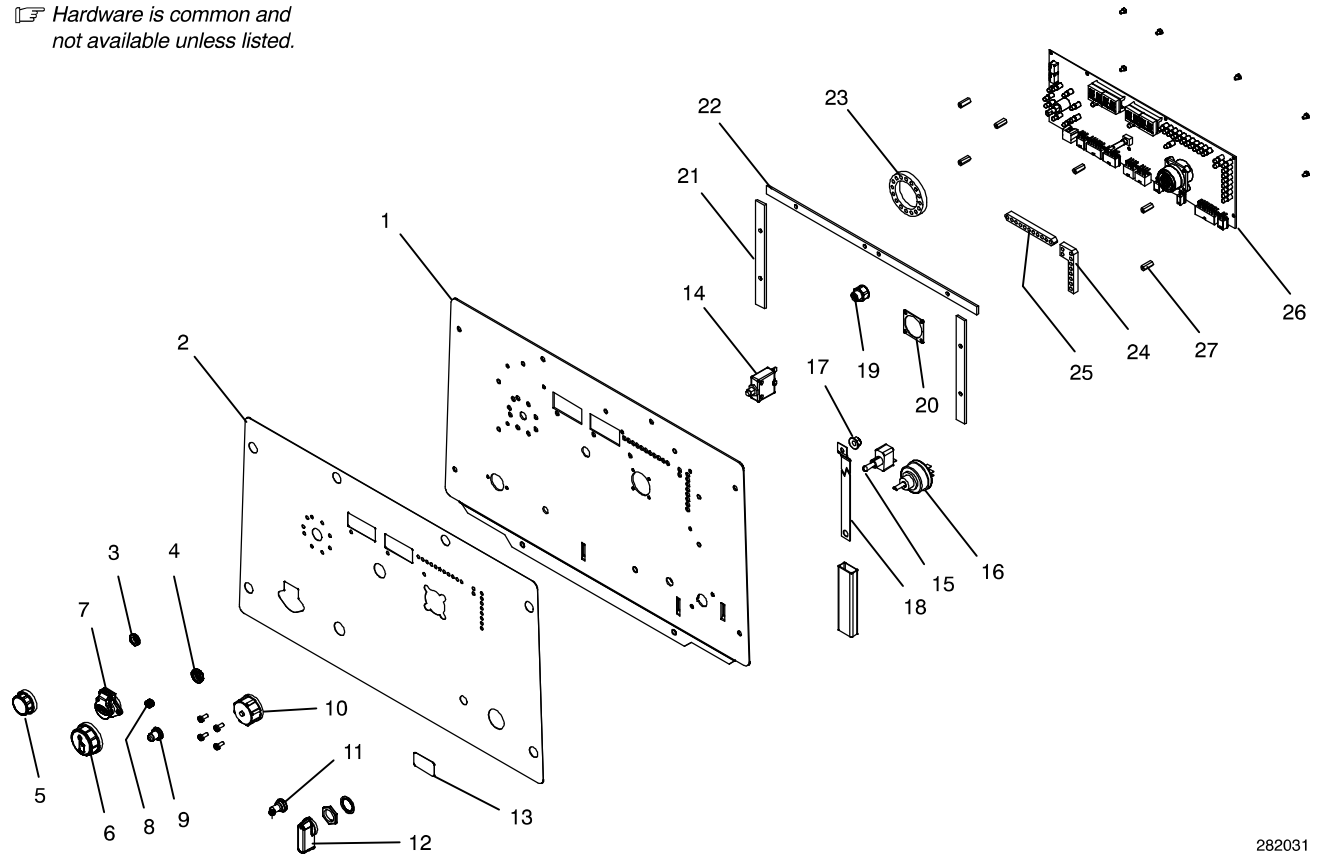
Figure 1-4. Panel, Weld Output (Figure 1-1, Item 1)

| | | | | |
|-------|-------|--------|---|---|
| ... 1 | | 258685 | .. Panel, Mtg Terminal Power Output | 1 |
| ... 2 | | 259993 | .. Label, Output Panel W/Polarity | 1 |
| ... 3 | | 241432 | .. Terminal, Pwr Output Red (Qty 2 for models with Polarity Switch) | 1 |
| ... 4 | | 241433 | .. Terminal, Pwr Output Black | 1 |
| ... 5 | | 186621 | .. Boot, Generic Output Stud | 2 |
| ... 6 | | 180735 | .. Washer, Output Stud | 2 |
| ... 7 | | 181169 | .. Spacer, Output Stud | 2 |

To maintain the factory original performance of your equipment, use only Manufacturer's Suggested Replacement Parts. Model and serial number required when ordering parts from your local distributor.

Eff w/Serial No. MK220318R And Following

Hardware is common and not available unless listed.



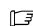
282031

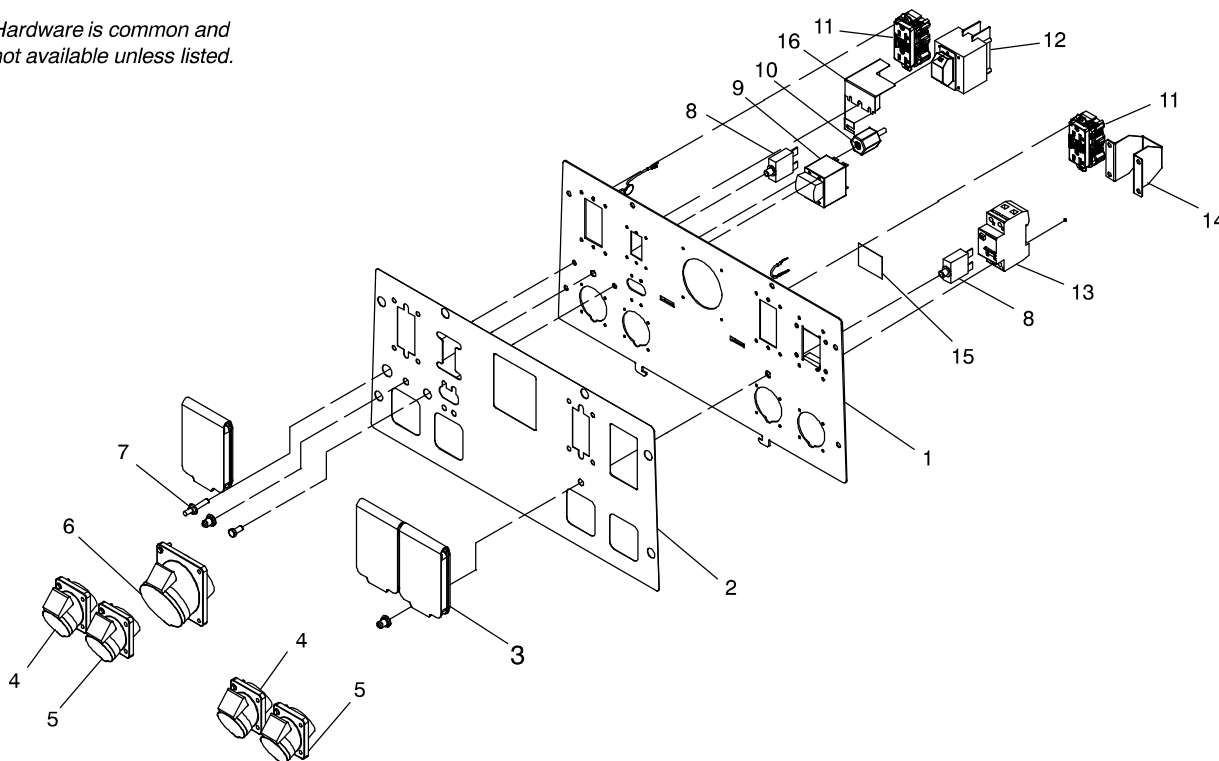
Figure 1-5. Front Panel

| Item No. | Dia. Mkgs. | Part No. | Description | Quantity |
|---|------------|----------|---|----------|
| Figure 1-5. Front Panel (Figure 1-1, Item 3) | | | | |
| 1 | | 282032 | Panel, Engine/Weld Control | 1 |
| 2 | | | Label, Nameplate Miller (Order by Model and Serial No.) | 1 |
| 3 | | 231468 | Nut, 375-32 .56hex .22h Brs Conical Knurl | 1 |
| 4 | | 231469 | Nut, 500-28 .69hex .28h Brs Conical Knurl | 1 |
| 5 | | 245663 | Knob, Encoder 1.250 Dia X .250 Id Push On W/Spring | 1 |
| 6 | | 276230 | Knob, Encod 1.67 D. X 6mm Id Push On W/Spring/Print | 1 |
| | | 280214 | Spring, Wave (Stainless Steel) | 1 |
| 7 | | 276484 | Harness, Front Panel Usb | 1 |
| 8 | | 280214 | Spring, Wave (Stainless Steel) | 1 |
| 9 | | 190323 | Boot, Circuit Breaker Clear Hex Nut | 1 |
| 10 | | 170391 | Conn, Circ Ms Protective Cap Size 20 Nylon | 1 |
| 11 | | 021385 | Boot, Toggle Switch Lever | 1 |
| 12 | | 207073 | Lever, Ignition Switch | 1 |
| 13 | | 270453 | Label, Warning Read Owners Manual Wordless | 1 |
| 14 | | 083432 | Supplementary Pro, Man Reset 1p 10A 250VAC Frict | 1 |
| 15 | S2 | 021467 | Switch, Tgl Spst 3A 250V Off-None-(On) Spd Term | 1 |
| 16 | S1 | 217680 | Switch, Ignition 4 Position W/Out Handle | 1 |
| 17 | | 152461 | Nut, 250-20 .44hex .23h Stl Pld Sem Cone Wshr.65d | 1 |
| 18 | | 279479 | Strap, Grounding 15.12 In Long | 1 |
| 19 | | 278485 | Assy, Encoder Nut W/O-Ring | 1 |
| 20 | | 277524 | Gasket, 14 Pin Receptacle | 1 |
| 21 | | 277518 | Gasket, Control Board Cover | 2 |
| 22 | | 277517 | Gasket, Control Board Cover Top | 1 |
| 23 | | 278559 | Foam, LED Process Select | 1 |
| 24 | | 278564 | Foam, LED Fuel And Service | 1 |
| 25 | | 278563 | Foam, LED Dig | 1 |
| 26 | | 280612 | Kit, Service Control Board | 1 |
| 27 | | 190512 | Stand-Off, No 6-32 X .640 Lg .250 Hex Al Fem | 6 |

Eff w/Serial No. MK220318R And Following

To maintain the factory original performance of your equipment, use only Manufacturer's Suggested Replacement Parts. Model and serial number required when ordering parts from your local distributor.

 Hardware is common and not available unless listed.



282758-A

Figure 1-6. Panel, Auxiliary Power Export Deluxe

| Item No. | Dia. Mkgs. | Part No. | Description | Quantity |
|----------|------------|----------|-------------|----------|
|----------|------------|----------|-------------|----------|

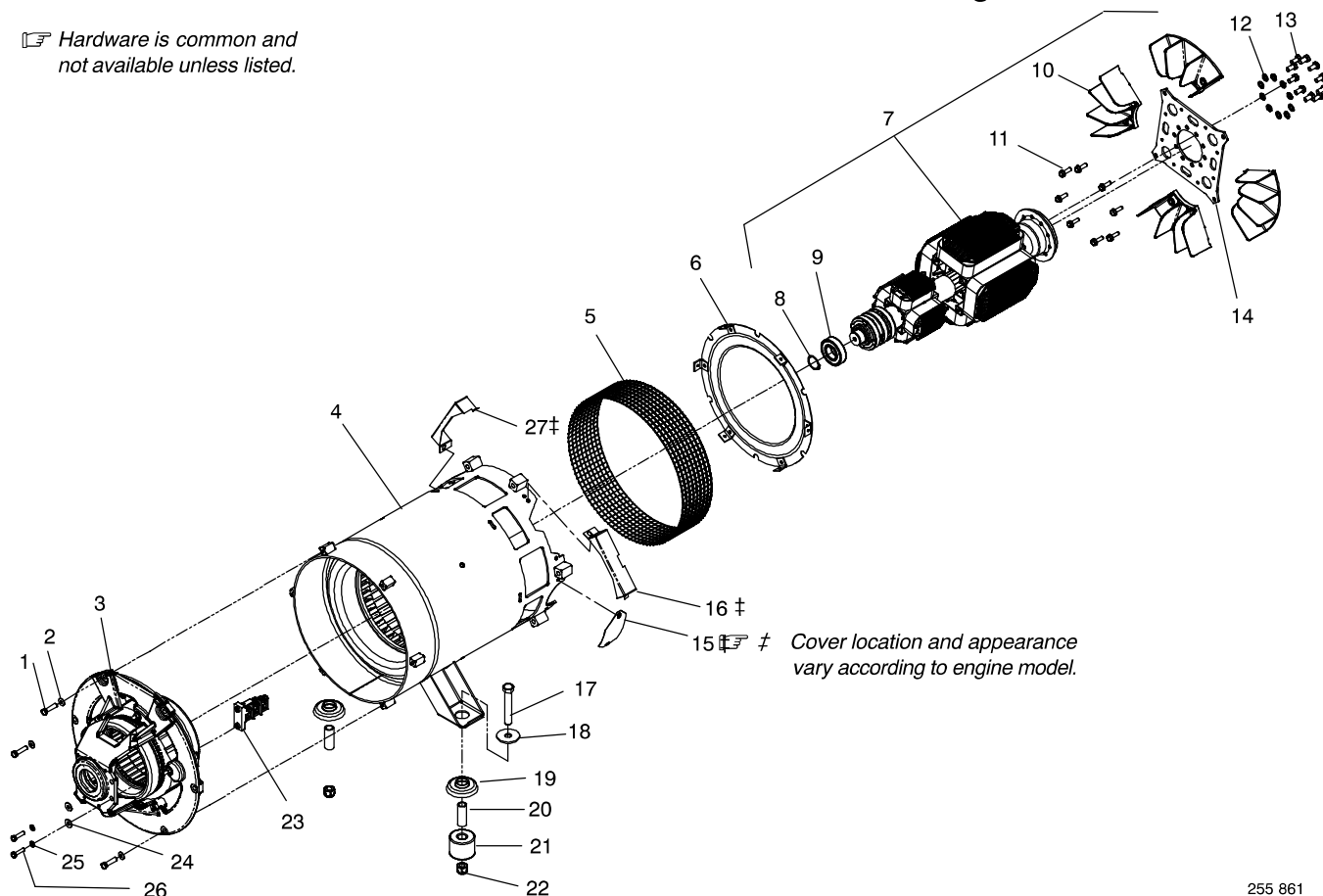
Figure 1-6. Panel, Auxiliary Power Export Deluxe (Figure 1-1, Item 2)

| | | | | |
|-----|----|-------------|---|---|
| ... | 1 | 282759 | Panel, Aux Power (Ex) Deluxe | 1 |
| ... | 2 | | Label, Aux Power (Ex) Deluxe (Order by Model and Serial Number) | 1 |
| ... | 3 | 209056 | Cover, Receptacle W/Gasket | 3 |
| ... | 4 | RC1-RC2 | Rcpt, Str 2p3w 16A 130V Flange Mtg | 2 |
| ... | 5 | RC3-RC4 | Rcpt, Str 2p3w 16A 220V Flange Mtg | 2 |
| ... | 6 | RC5 | Rcpt, Str 4p5w 32A 400V 3ph Flange Mtg | 1 |
| ... | 7 | 197203 | Grounding Stud Assy, Brass | 1 |
| ... | 8 | CB7-CB8 | Supplementary Pro, Man Reset 1p 20A 250VAC Frict | 2 |
| ... | 9 | CB5 | Supplementary Protector, Man Reset 2p 40A 240VAC | 1 |
| ... | | 203016 | Boot, Circuit Breaker 2 Pole | 1 |
| ... | 10 | 207560 | Insulator, Stand-Off With Stud | 1 |
| ... | 11 | GFCI1-GFCI2 | Receptacle, GFCI 15/20A | 2 |
| ... | | C1-C2 | Capacitor, Cer Disc .0047 uF 3000 VDC W/Terms | 2 |
| ... | 12 | CB1 | Supplementary Protector, Man Reset 3p 30A 480VAC | 1 |
| ... | | 214927 | Boot, Circuit Breaker 1 Pole | 1 |
| ... | 13 | ELCB1 | Circuit Breaker, Rccb 16A 240V 0.030A Trip | 1 |
| ... | 14 | | Bracket, Rccb Single Din Rail Mtg | 1 |
| ... | 15 | 272330 | Label, Warning Electric Shock/Moving Parts (Sym) | 1 |
| ... | 16 | 263778 | Guard, Supplementary Protector | 1 |

To maintain the factory original performance of your equipment, use only Manufacturer's Suggested Replacement Parts. Model and serial number required when ordering parts from your local distributor.

Eff w/Serial No. MK220318R And Following

☞ Hardware is common and not available unless listed.



255 861

Figure 1-7. Generator

| Item No. | Dia. Mkgs. | Part No. | Description | Quantity |
|----------|------------|----------|-------------|----------|
|----------|------------|----------|-------------|----------|

Figure 1-7. Generator (Figure 1-1, Item 80)

| | | | | |
|-----|----|---------|--|----|
| ... | 1 | 132053 | .. Screw, 375-16x1.50 Hex Hd-Pln Gr5 Pld Blk | 6 |
| ... | 2 | 183387 | .. Washer, Cone .380idx .860odx.109t Stl Pld 4000lbs | 6 |
| ... | 3 | 282142 | .. Endbell W/Exciter Stator (Includes) | 1 |
| ... | | 257974 | Kit, Endbell w/O-ring (Includes) | |
| ... | | 203635 | Endbell, Gen | 1 |
| ... | | 143220 | O-Ring, 2.859 Id X .139 Cs 70 Duro Viton | 1 |
| ... | | 282143 | Stator, Exciter/Aux Power | 1 |
| ... | | 604538 | Washer, Flat .344idx0.688odx.065t Stl Pld Ansi.312 | 4 |
| ... | | 172684 | Nut, 312-18 .50hex .27h Stl Pld Sem Cone Wshr.76d | 4 |
| ... | 4 | +269083 | .. Stator, Weld/Power Assy Complete (Export) | 1 |
| ... | 5 | 190197 | .. Guard, Generator Wire Mesh | 1 |
| ... | | 172674 | .. Spring, Ext .240 Od X .041 Wire X 3.500 Pld | 2 |
| ... | 6 | 039207 | .. Baffle, Air Gen | 1 |
| ... | | 602159 | .. Screw, 312-18x .75 Hexwhd.66d Stl Pld Slffmg Tap-Rw | 6 |
| ... | 7 | 212996 | .. Rotor, Generator (Includes) | 1 |
| ... | 8 | 024617 | Ring, Rtnng Ext 1.375 Shaft X .050 Thk | 1 |
| ... | 9 | 053390 | Bearing, Ball Rdl Sgl Row 1.370 X 2.830 X .6 | 1 |
| ... | | 210447 | .. Fan, Rotor Assy Gen Segmented (Includes) | 1 |
| ... | 10 | 206242 | Fan, Rotor Segmented Assy Gen | 4 |
| ... | 11 | 080389 | Screw, 312-18x1.00 Hexwhd.66d Stl Pld Slffmg Tap-Rw | 8 |
| ... | 12 | 083883 | Washer, Lock .402idx0.709odx.087t Stl Pln Split10mm | 10 |
| ... | 13 | 049026 | Screw, M10-1.5x 25 Hex Hd-Pln 8.8 Pln | 10 |
| ... | 14 | 210332 | Plate, Flex Hubmount | 1 |

Eff w/Serial No. MK220318R And Following


| Item No. | Dia. Mkgs. | Part No. | Description | Quantity |
|--|------------|----------|--|----------|
| Figure 1-7. Generator (Continued) | | | | |
| ... 15 | | 191580 | .. Cover, Starter Hole Deutz | 1 |
| ... 16 | | 191579 | .. Cover, Starter Hole | 1 |
| ... 17 | | 199849 | .. Screw, 625-11x4.00 Hex Hd-pln Gr5 Pld | 2 |
| ... 18 | | 071731 | .. Washer, Flat .656idx2.250odx.187t Stl Pld | 2 |
| ... 19 | | 071890 | .. Retainer, Mount Eng/Gen | 2 |
| ... 20 | | 071730 | .. Tubing, Stl .875 Od X12ga Wall X 2.500 | 2 |
| ... 21 | | 083476 | .. Mount, Eng/Gen Nprn .875id X 2.500od X 2.000 60 Dur | 2 |
| ... 22 | | 135205 | .. Nut, 625-11 .94hex .77h Stl Pld Elastic Stop Nut | 2 |
| ... 23 | | 189142 | .. Brushholder, Generator | 1 |
| | | *190823 | .. Brush, Contact Elect .250 X.500 X 1.250 Grd Ay | 3 |
| | | 208469 | .. Clip, Spring | 3 |
| ... 24 | | 602242 | .. Washer, Flat .375idx0.875odx.083t Stl Pld Blk | 2 |
| ... 25 | | 602211 | .. Washer, Lock .318idx0.586odx.078t Stl Pld Split.312 | 2 |
| ... 26 | | 604534 | .. Screw, 312-18x1.25 Hex Hd-Pln Gr5 Pld | 2 |
| ... 27 | | 191577 | .. Cover, Starter Hole | 1 |

+ When ordering a component originally displaying a precautionary label, the label should also be ordered.

*Recommended Spare Parts.

To maintain the factory original performance of your equipment, use only Manufacturer's Suggested Replacement Parts. Model and serial number required when ordering parts from your local distributor.

Eff w/Serial No. MK220318R And Following

 Some wiring harness components (switches, relays, circuit breakers) are also referenced elsewhere in this parts list. Purchase components separately or as part of the associated wiring harness.

| Item No. | Dia. Mkgs. | Part No. | Description | Quantity |
|-------------------------|------------|-----------|--|----------|
| Wiring Harnesses | | | | |
| | | 285798 .. | Harness, Engine (Includes) | 1 |
| | PLG51 .. | 177859 .. | Conn, Body 5 Terminal | 1 |
| | PLG12 .. | 173916 .. | Conn, Rect Housing 10 Circuit | 1 |
| | CB2 ... | 139266 .. | Supplementary Protector, Man Reset 1p 15a 250vac | 1 |
| | S2 ... | 021467 .. | Switch ,Tgl Spst 3a 250v Off-None-(On) Spd Term | 1 |
| | | 285668 .. | Harness, Weld (Includes) | 1 |
| | RC98 .. | 135133 .. | Conn, Rect Univ 084 9p/S 3row Rcpt Cable/Panel Lkg | 1 |
| | CR4 ... | 173069 .. | Relay, Encl 12vdc Spdt 50a/30a 5pin Flange Mtg | 1 |
| | | 148850 .. | Socket, Relay 5 Pin | 1 |
| | PLG3 .. | 114655 .. | Conn, Rect Mini 045 6skt 2row Plug Cable Lkg | 1 |
| | PLG4 .. | 116513 .. | Conn, Rect Mini 045 12skt 2row Plug Cable Lkg | 1 |
| | PLG5 .. | 113752 .. | Conn, Rect Mini 045 10skt 2row Plug Cable Lkg | 1 |
| | PLG9 .. | 117037 .. | Conn, Rect Mini 045 2skt 2row Plug Cable Lkg | 1 |
| | PLG10 .. | 113750 .. | Conn, Rect Mini 045 4skt 2row Plug Cable Lkg | 1 |
| | | 260014 .. | Harness, Brushholder (Includes) | 1 |
| | PLG98 ... | 135134 .. | Conn, Rect Univ 084 9p/S 3row Plug Cable Lkg | 1 |
| | | 187651 .. | Seal, Wire Univ 9p/S 3row | 1 |

Miller Electric Mfg. LLC

An Illinois Tool Works Company
1635 West Spencer Street
Appleton, WI 54914 USA

International Headquarters-USA

USA Phone: 920-735-4505 Auto-Attended
USA & Canada FAX: 920-735-4134
International FAX: 920-735-4125

For International Locations Visit
www.MillerWelds.com

