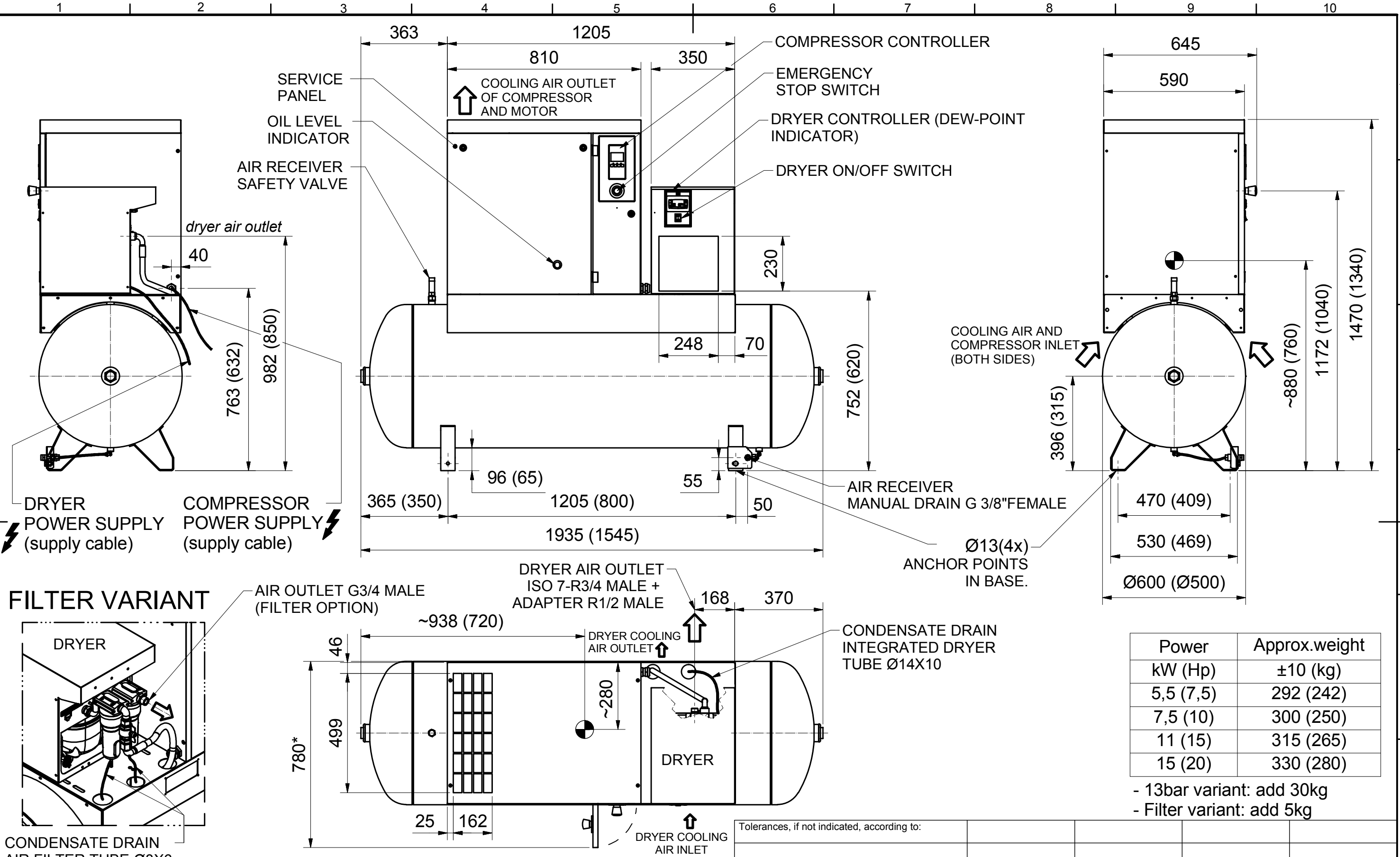
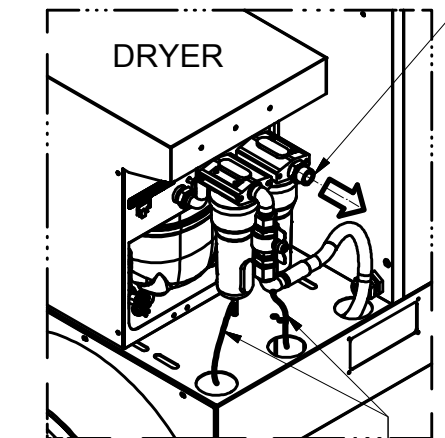


All materials supplied are in compliance with the requirements of the List of Prohibited Substances



**FILTER VARIANT**



**NOTES:**  
 ● - CENTER OF GRAVITY  
 \* - CUBICLE DOOR FULLY OPEN  
 - AIR RECEIVER DIMENSION IS GIVEN FOR 500L (270L)

Tolerances, if not indicated, according to:					
Name	DIMENSION DRAWING C55* MAXI DRYER TM		Confidentiality Class acc. to 1102 K		
Material	Not applicable		Internal		
Treatment	Not applicable		INV		
Scale	1:15	Family	Compare	Drawing owner	
Drawn by	INEmama	Blank nr.	Replaces	CAI	
Drawing format	Blank wt	Kg	Fini wt.	N/A	Designation
STATUS	A3	Des checked.	Prod checked.	Approved.	Date
					31/08/2016
Approved			9828083262		

CONFIDENTIAL: This document is our property and shall not without our permission be altered, copied, used for manufacturing or communicated to any other person or company.

Ed	Position	Modified from	Date	Intr./Appd.	Parent 3D model	Ed . Version 3D
-.00			31-08-2016		9828083261	

A  
B  
C  
D  
E  
F  
G