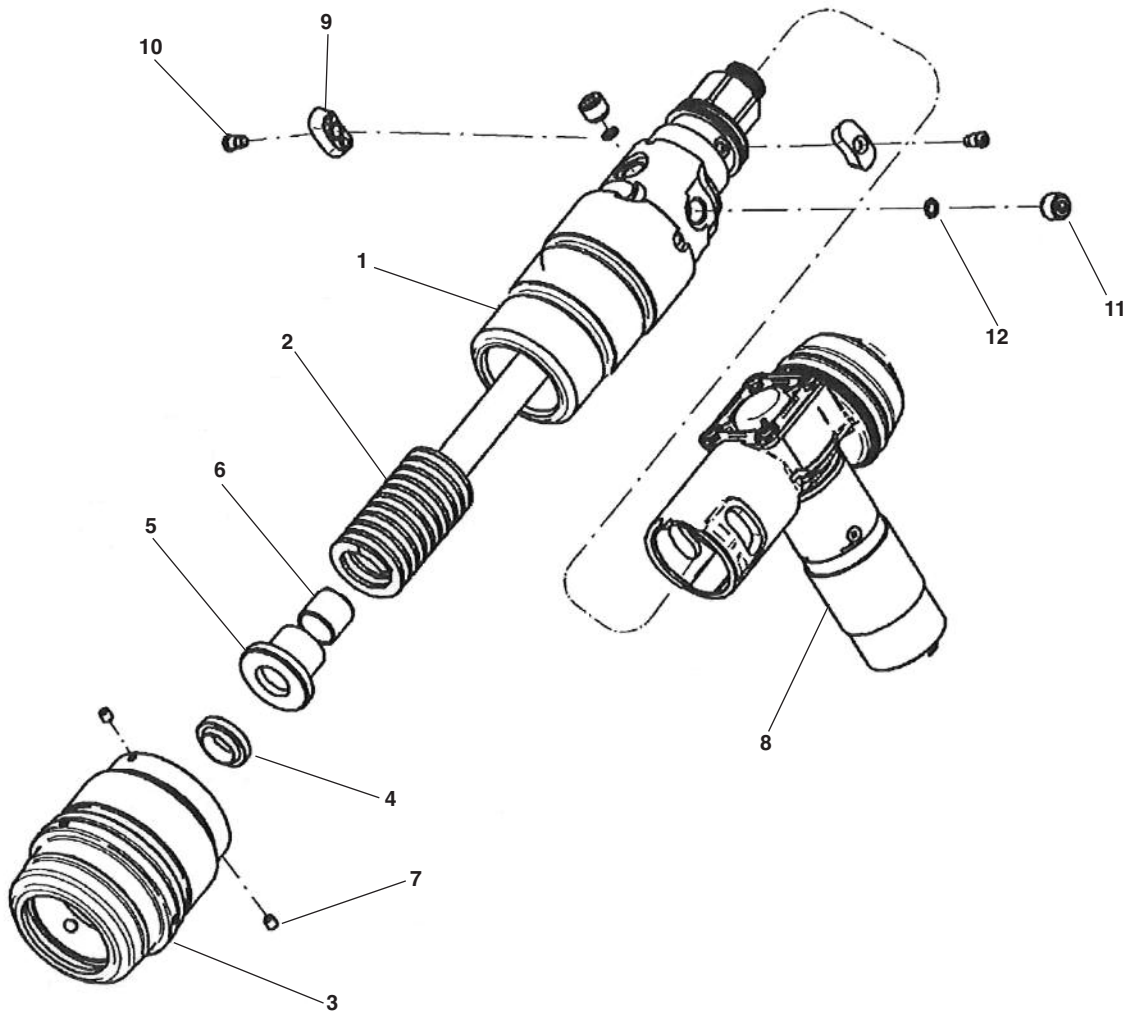


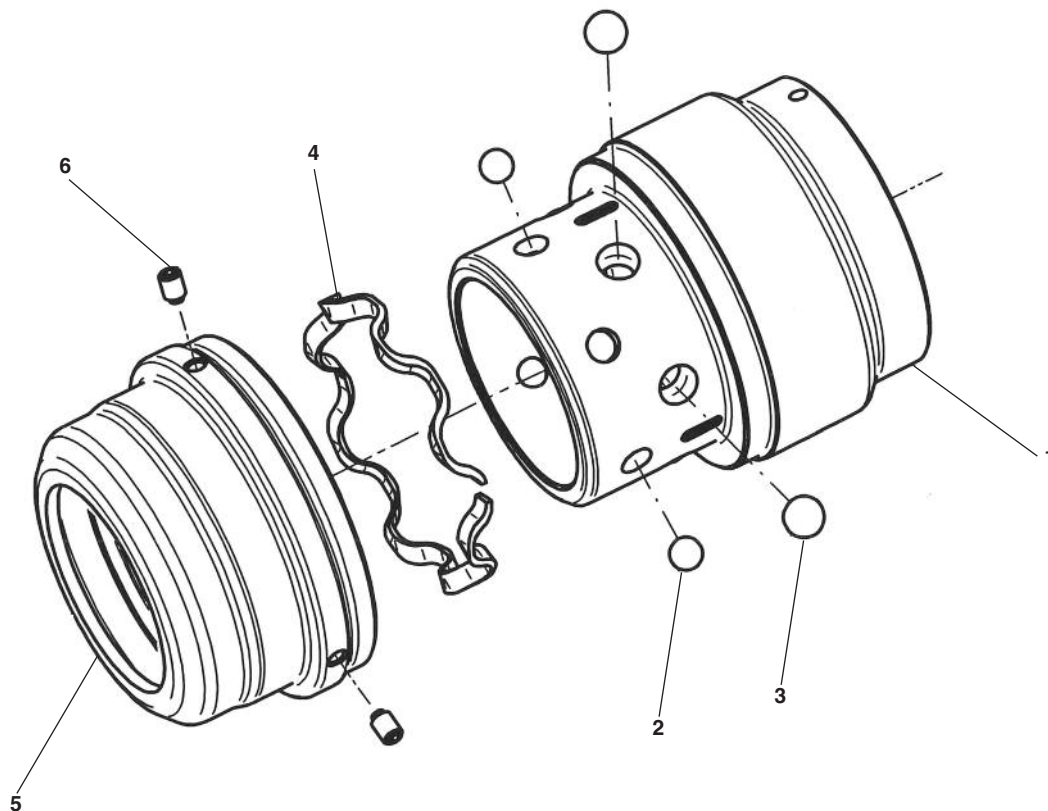
Inline 60kN-32mm Sub Assembly



**NOTE: Order parts by Catalog Number only.
DO NOT order by Reference Number.**

Ref. No.	Catalog No.	Description
1	49538	Cylinder 60kN-32mm Sub Assembly
2	47388	Flat Pressure Spring
3	47393	Ball Holder Complete
4	47398	Scraper TA02B
5	47403	Scraper Ring
6	47408	Bearing Bush
7	47413	Allen Set Screw
8	43673	Pump Housing Sub Assembly
9	43678	Plastic Wedge
10	43683	Shoulder Screw
11	35268	Sealing Screw
12	33693	O-Ring

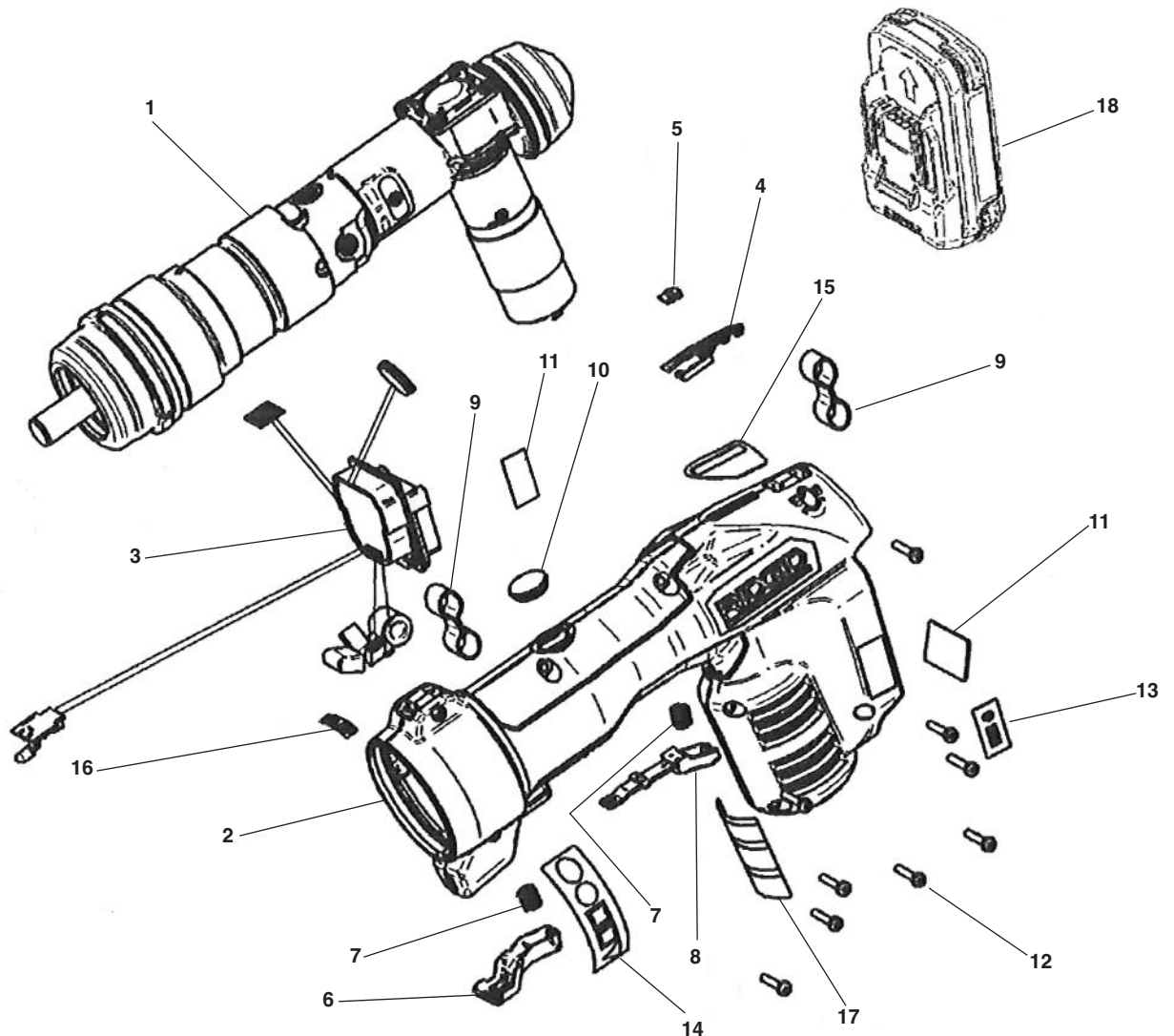
Ball Holder RE 6/RE 60 Sub Assembly



**NOTE: Order parts by Catalog Number only.
DO NOT order by Reference Number.**

Ref. No.	Catalog No.	Description
1	47438	Collar
2	47443	Steel Ball
3	47448	Steel Ball
4	47453	Shaft Spring Washer
5	47458	Lockr Ring
6	47463	Set Screw

RE 60-IB32 Complete

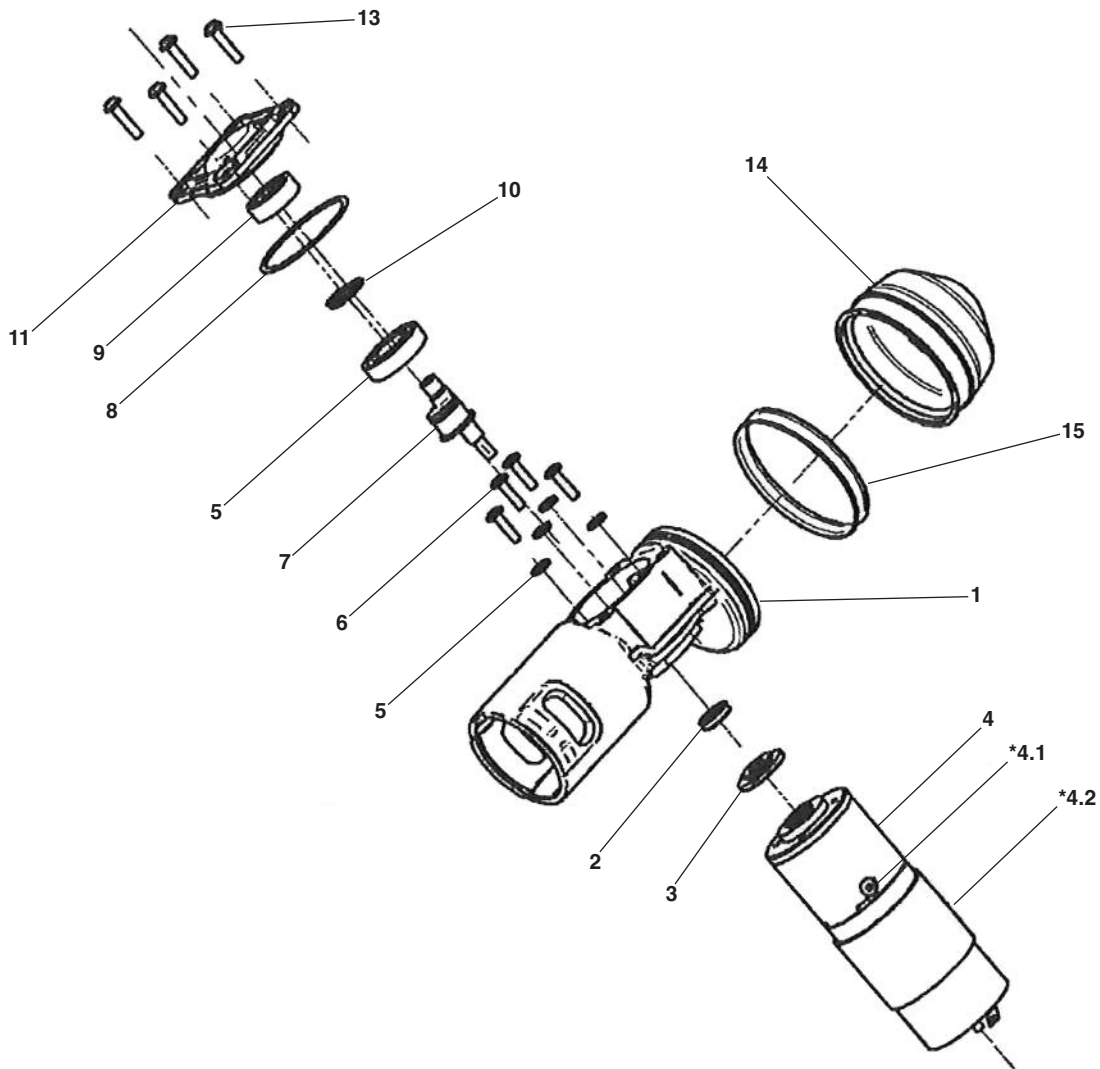


**NOTE: Order parts by Catalog Number only.
DO NOT order by Reference Number.**

Ref. No.	Catalog No.	Description
1	49543	Inline 60kN-32mm Sub Assembly
2	43778	Plastic Housing Set Red
	47473	Plastic Housing Set Blue
3	47478	Circuit Board "Power + LED"
4	47483	Triple LED Light Conductor
5	47488	LED Cover
6	43798	Trigger
7	43808	Spring
8	47493	Release Lever
9	43823	Loop
10	43783	Pressure Relief Cap Black
11	47498	Name Plate RE 6
	56223	Name Plate RE 60
12	13503	Pan Head Screw
13	47503	Decal "RE 6"
	47503	Decal "IVTB-6"
14	47513	Decal "Pictogram"
15	47518	Decal "Error Code"
16	47523	Decal "6T QCS"
17	43843	Decal "Warning"
18	44693	Battery 18V/2.0Ah

a = RIDGID-USA
b = ILSCO

Pump Housing Body Sub Assembly

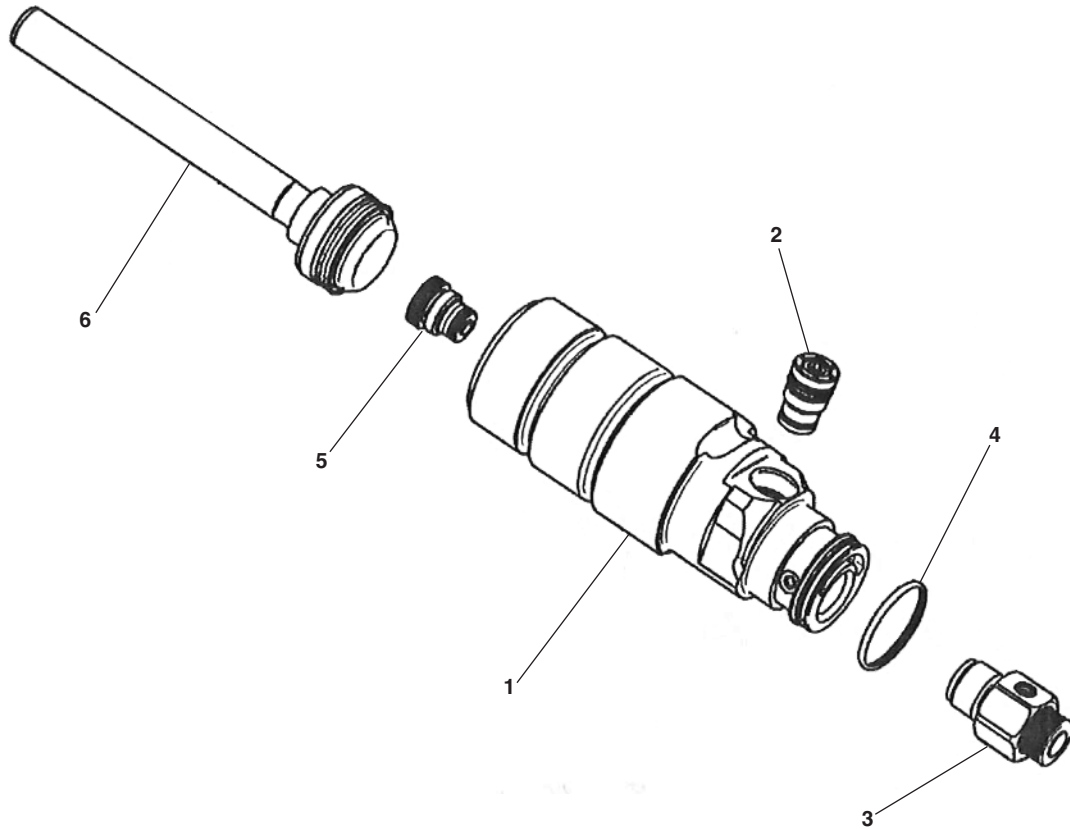


**NOTE: Order parts by Catalog Number only.
DO NOT order by Reference Number.**

Ref. No.	Catalog No.	Description
1	43693	Pump Housing
2	43698	Seal
3	33708	Arrester Disc
4	33713	Motor & Gear Complete
*4.1	33768	Motor 18V
*4.2	33818	Countersunk Screw
5	33718	Screw Seal
6	33723	Pan Head Flange Screw
7	33728	Eccentric Shaft
8	33733	Bearing
9	33738	Bearing
10	33743	External Retaining Ring
11	43713	Bearing Holder
12	43718	O-Ring
13	33683	Pan Head Cap Screw
14	43723	Bladder Oil Reservoir
15	43728	Clamp

* = Included In Reference No. 4.

Cylinder Inline 60kN-32mm Sub Assembly



**NOTE: Order parts by Catalog Number only.
DO NOT order by Reference Number.**

Ref. No.	Catalog No.	Description
1	49548	Cylinder 60kN-32mm Includes Exp.
2	49553	Pressure Relief Valve
3	43763	Pump Unit
4	45743	O-Ring
5	33758	Switching Valve
6	49558	Piston Unit 60kN-32mm Complete