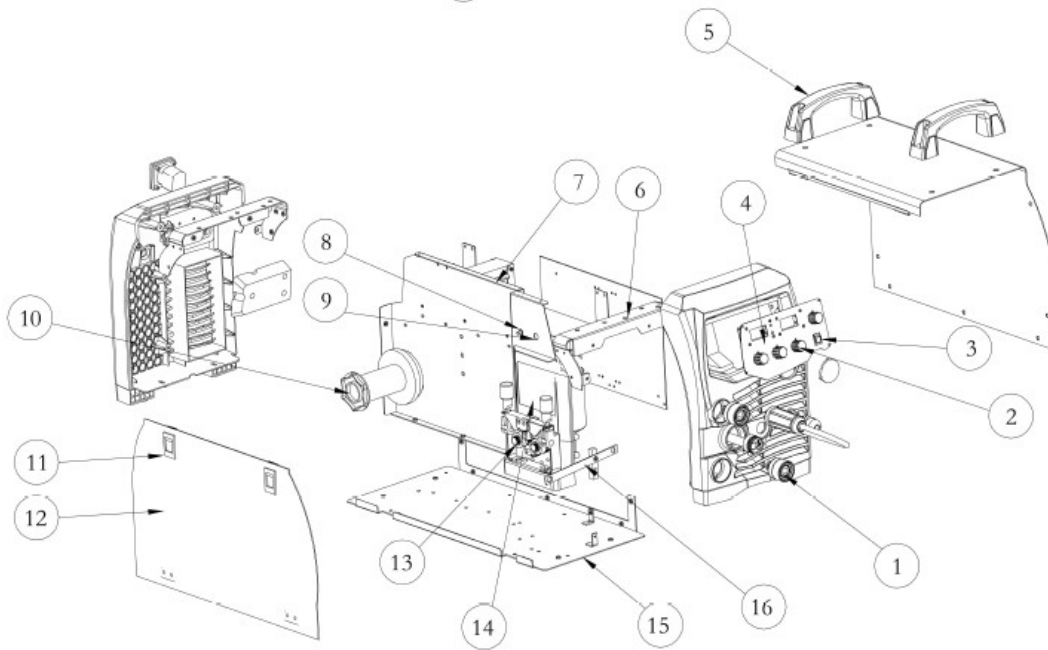
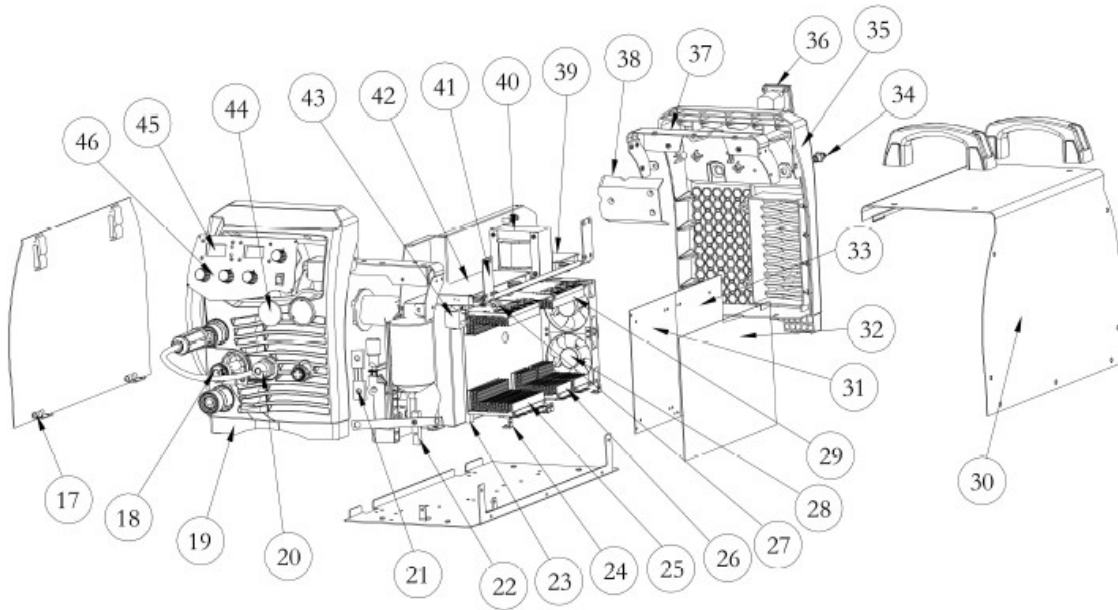


APPENDIX D: EXPLOSION DIAGRAM OF COMPLETE MACHINE



Explosion chart List for Maintenance

Item	Sap code	Description	Qty
1	10004638	Quick socket	2
2	10004917	Knob	5
3	10049750	Rocker switch	1
4	10052533	Panel display panel	1
5	10027491	Handle	2
6	10052563	Top support	1
7	10052532	median septum	1
8	10020739	Potentiometer for burn back	1
9	10052572	Inching switch	1
10	10022311	Spool holder	1
11	10016524	Door buckle	2
12	10052622	Top cover	1
13	10054388	Wire feeder	1
14	10052698	Insulating cover	1
15	10052560	Bottom board	1
16	10052562	Copper connector	1
17	10052708	Rotating parts	2
18	10052636	Euro connector	1
19	10052695	Front plastic panel	1
20	10052585	Polarity wire and plug	1
21	10016437	Shunt	1
22	10052663	Upright column 1	1
23	10052595	Upright column	4
24	10046476	Corner parts	4
25	10052565	radiator	2
26	10052574	radiator	2
27	10052602	Thermal switch	1
28	10044009	Fan	2
29	10052575	radiator	1
30	10052557	Cover	1
31	10052535	Secondary rectifying board	1
32	10052681	Insulating paper	1
33	10052608	Inverter board	1
34	10045236	Air faucet	1
35	10052696	Rear plastic panel	1
36	10052689	Power switch	1
37	10052566	Rear panel bracket	1
38	10052698	Fixed cover	1
39	10052534	EMC board	1
40	10052621	Power transformer	1

41	10052556	Clapboard bracket	2
42	10052552	Control board	1
43	10052546	Solenoid valve	1
44	10052699	Brand sticker	1
45	10046712	Display meter	2
46	10052548	MIG250 panel	1
-			