



Operator's Manual

Power Washer

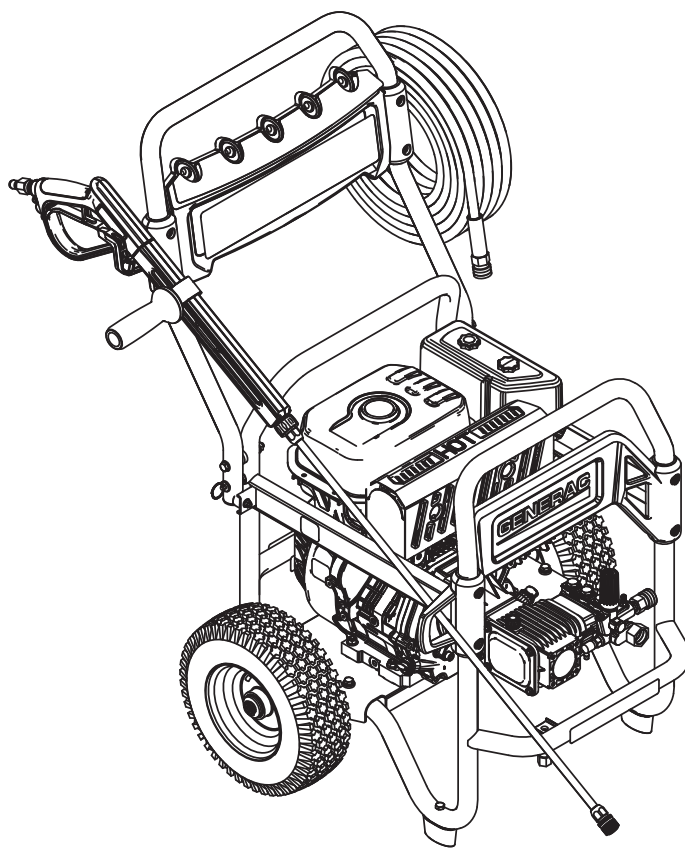


Table of Contents

Introduction.....	1	Maintenance	15
Safety Rules	1	Maintenance Recommendations.....	15
Safety Symbols and Meanings	2	Maintenance Schedule	15
General Information.....	3	Emissions Control.....	15
Know Your Power Washer	4	Power Washer Maintenance	15
Emissions Information	5	Check and Clean Inlet Screen.....	15
Unpacking.....	5	Check High Pressure Hoses	15
Set-up	5	Check Detergent Siphoning Tube	15
Assembly.....	5	Check Spray Gun	16
Add Engine Oil	6	Nozzle Maintenance	16
Check Pump Oil	7	Pump Oil Maintenance	16
Add Fuel	7	Engine Maintenance	17
Connect Hose and Water Supply to Pump	8	Engine Oil Recommendations.....	17
How to Use Nozzles	9	Service Air Cleaner	18
Operation	12	Service Spark Plug.....	18
Operation	12	Inspect Muffler and Spark Arrestor	19
Power Washer Location	12	After Each Use.....	19
Checklist Before Starting Engine.....	12	Winter Storage	20
How to Start Your Power Washer	12	Long Term Storage.....	20
Automatic Cool Down System (Thermal Relief)	14	Other Storage Instructions.....	20
Adjustable Pressure Setting.....	14	Transporting/Tipping of the Unit	20
How to Stop Your Power Washer.....	14	Troubleshooting	21
		Troubleshooting Guide.....	21
		Notes	22

⚠ WARNING

California Proposition 65. Engine exhaust and some of its constituents are known to the state of California to cause cancer, birth defects, and other reproductive harm. (000004)

⚠ WARNING

California Proposition 65. This product contains or emits chemicals known to the state of California to cause cancer, birth defects, and other reproductive harm. (000005)

INTRODUCTION

Thank you for purchasing a Generac Power Systems Inc. product. This unit has been designed to provide high-performance, efficient operation, and years of use when maintained properly.

Read this manual thoroughly and understand all of the instructions, cautions, and warnings before using this equipment. If any section of the manual is not understood, contact your nearest authorized dealer, or contact Generac Customer Service at 1-888-436-3722, or www.generac.com with any questions or concerns.

The owner is responsible for proper maintenance and safe use of the equipment. Before operating, servicing or storing this power washer:

- Study all warnings in this manual and on the product carefully.
- Become familiar with this manual and the unit before use.
- Refer to the Assembly section of the manual for instructions on final assembly procedures. Follow the instructions completely. Save these instructions for future reference. ALWAYS supply this manual to any individual that will use this machine.

THE INFORMATION CONTAINED HEREIN WAS BASED ON MACHINES IN PRODUCTION AT THE TIME OF PUBLICATION. GENERAC RESERVES THE RIGHT TO MODIFY THIS MANUAL AT ANY TIME.

WHERE TO FIND US

You can contact Generac Customer Service by phone at 1-888-436-3722, or on the internet at www.generac.com. Record the important information of the unit in the following chart for future reference and/or service inquiries.

Model Number	
Serial Number	
Date Purchased	

SAFETY RULES

Throughout this publication, and on tags and decals affixed to the power washer, DANGER, WARNING, CAUTION and NOTE blocks are used to alert personnel to special instructions about a particular operation that may be hazardous if performed incorrectly or carelessly. Observe them carefully. Their definitions are as follows:

DANGER

Indicates a hazardous situation which, if not avoided, will result in death or serious injury.

(000001)

WARNING

Indicates a hazardous situation which, if not avoided, could result in death or serious injury.

(000002)

CAUTION

Indicates a hazardous situation which, if not avoided, could result in minor or moderate injury.

(000003)

NOTE:

Notes contain additional information important to a procedure and will be found within the regular text body of this manual.

These safety warnings cannot eliminate the hazards that they indicate. Common sense and strict compliance with the special instructions while performing the action or service are essential to preventing accidents.

Safety Rules

SAFETY SYMBOLS AND MEANINGS



⚠ DANGER

Asphyxiation. Running engines produce carbon monoxide, a colorless, odorless, poisonous gas. Carbon monoxide, if not avoided, will result in death or serious injury. (000103)



⚠ DANGER

Electrocution. Water contact with a power source, if not avoided, will result in death or serious injury.

(000104)



⚠ DANGER

Fluid Injection. This machine produces high-pressure fluid streams that can pierce skin. Fluid injection will result in death or serious injury. (000106)

(000106)



⚠ DANGER

Explosion and Fire. Fuel and vapors are extremely flammable and explosive. Add fuel in a well ventilated area. Keep fire and spark away. Failure to do so will result in death or serious injury. (000105)

(000105)



⚠ WARNING

Risk of Fire. Hot surfaces could ignite combustibles, resulting in fire. Fire could result in death or serious injury.

(000110)



⚠ WARNING

Vision Loss. Eye goggles are required to be worn when using this machine. Failure to wear eye goggles could result in permanent vision loss.

(000101)



⚠ WARNING

Hearing Loss. Hearing protection is recommended when using this machine. Failure to wear hearing protection could result in permanent hearing loss.

(000107)



⚠ WARNING

Hot Surfaces. When operating machine, do not touch hot surfaces. Keep machine away from combustibles during use. Hot surfaces could result in severe burns or fire. (000108)

(000108)



⚠ WARNING

Risk of Fire. Verify machine has properly cooled before installing cover and storing machine. Hot surfaces could result in fire.

(000109)



⚠ WARNING

Moving Parts. Keep clothing, hair, and appendages away from moving parts. Failure to do so could result in death or serious injury.

(000111)



⚠ WARNING

Risk of Falling. Use of machine creates wet areas and trip hazards. Be aware of work area conditions. A fall could result in death or serious injury.

(000112)



⚠ WARNING

Risk of Falling. Do not use this machine or any components on elevated surfaces. Doing so can result in a fall, serious injury or death.

(000114)



⚠ WARNING

Recoil Hazard. Recoil could retract unexpectedly if water pressure is not properly relieved from pump, creating kickback. Kickback could result in death or serious injury. (000113)

(000113)



⚠ WARNING

Consult Manual. Read and understand manual completely before using machine. Failure to completely understand manual and machine could result in death or serious injury. (000100)

(000100)



⚠ WARNING

Moving Parts. Do not wear jewelry when starting or operating this product. Wearing jewelry while starting or operating this product could result in death or serious injury.

(000115)

⚠ WARNING

Do not aim spray gun at people, animals, electrical devices, or fragile items. Keep out of reach of children. Death or serious injury could result.

(000117)

NOTE:

High pressure spray may damage fragile items including glass.

- DO NOT point spray gun at glass when using red (0°) MAX nozzle.
- NEVER aim spray gun at people, animals, electrical devices or plants.

NOTE:

Improper treatment of power washer can damage it and shorten its life.

- If you have questions about intended use, ask dealer or contact qualified service center.
- NEVER operate units with broken or missing parts, or without protective housing or covers.
- DO NOT by-pass any safety device on this machine.
- DO NOT operate power washer above rated pressure.
- DO NOT modify power washer in any way.
- Before starting power washer in cold weather, check all parts of the equipment to be sure ice has not formed there.
- NEVER move machine by pulling on hoses. Use handle provided on unit.
- Check fuel system for leaks or signs of deterioration, such as chafed or spongy hose, loose or missing clamps, or damaged tank or cap. Correct all defects before operating power washer.
- This equipment is designed to be used with Generac authorized parts ONLY. If equipment is used with parts that DO NOT comply with minimum specifications, user assumes all risks and liabilities.

General Information

KNOW YOUR POWER WASHER

Read this owner's manual and safety rules before operating your power washer.

If you loan this device to someone, ALWAYS loan ALL instructional documentation to the individual as well. Compare the illustrations with your high power washer to familiarize yourself with the locations of various controls (Figure 1). Save this manual for future reference. Replacement owner's manuals can be printed from the Generac Web site.

- A - Spray Gun** – Controls the application of water onto the cleaning surface with trigger device. Includes a trigger lock.
- B - Lance with Quick Connect** – Allows you to switch between four different nozzles.
- C - High Pressure Hose** – Connect one end to water pump and the other to the spray gun.
- D - Recoil Starter** – Use for starting the engine.
- E - Oil Fill** – Check and add engine oil here.
- F - Air Filter** – Protects engine by filtering dust, and debris out of the intake air.
- G - Pump** – Develops high pressure.
- H - Thermal Relief Valve** – Cycle's water through the pump when water reaches 125°F. Warm water will discharge from pump onto ground. This prevents internal pump damage.
- I - Engine On/Off Switch** – Run this switch to "ON" before using the recoil starter. Turn the switch to "OFF" to stop the engine.
- J - Pressure Control/Unloader Valve** – Controls the high pressure output.

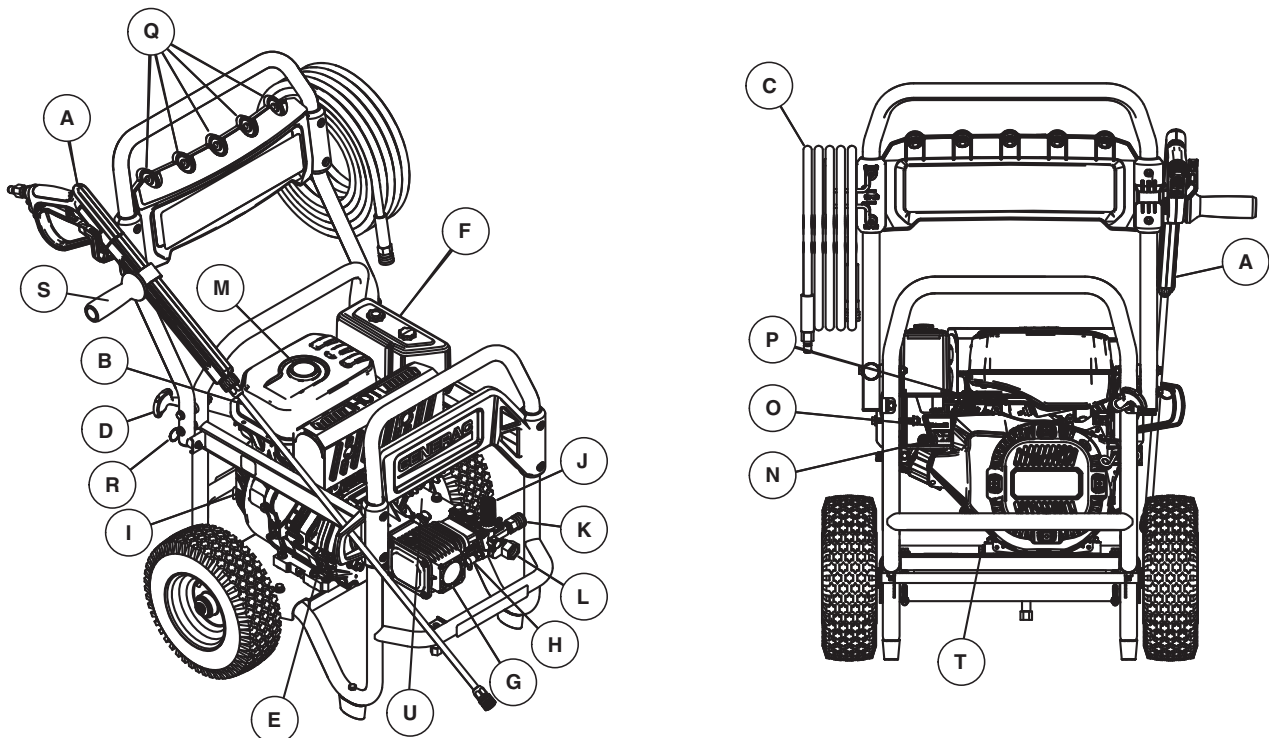
- K - High Pressure Outlet** – Connection for high pressure hose.
- L - Water Inlet** – Connection for Garden Hose.
- M - Fuel Tank** – Fill tank with regular unleaded fuel. Always leave room for fuel expansion.
- N - Fuel On/Off Switch** – Turns fuel supply to the engine on and off.
- O - Choke** – Prepares a cold engine for starting.
- P - Throttle Lever** – Increases or decreases engine speed. Throttle should be at maximum travel when the pressure washer is in use.
- Q - Nozzles** – Chemical injection, 0°, 15°, 25°, 40° (white, yellow, red and black) for various high pressure cleaning applications.
- R - Pull Pin** – Pull the ring to unlock the handle. This allows the handle to be collapsed for storage.
- S - Adjustable Side Handle** – Adjustable by turning counter clockwise to loosen, adjust to comfortable position and tighten clockwise. This allows for a firm operating grip of the spray gun.
- T - Oil Drain** – Drain engine oil here.
- U - Serial Number Location**

ITEMS NOT SHOWN

Identification Label (near rear of base plate) – Provides model and serial number of pressure washer. Please have these readily available if calling for assistance.

Detergent Siphoning Tube/Filter – Use to siphon pressure washer safe detergents into the low pressure stream.

Figure 1 – Features & Controls



EMISSIONS INFORMATION

The U.S. Environmental Protection Agency (and California Air Resource Board for equipment certified to CA standards) requires that this engine comply with exhaust and evaporative emission standards. Locate the emissions compliance decal on the engine to determine what standards the engine meets, and to determine which emissions warranty applies. The engine is certified to meet the applicable emission standards on gasoline. It is important to follow the maintenance specifications in the Maintenance section to ensure that the engine complies with the applicable emission standards for the duration of the product's life. This engine utilizes lean carburetion settings and other systems to reduce emissions. Tampering with or altering the emission control system may increase emissions and may be a violation of Federal or California Law. Acts that constitute tampering include but are not limited to:

- Removal or alteration of any part of the intake, fuel, or exhaust systems
- Altering or defeating the governor linkage or speed-adjusting mechanism to cause the engine to operate outside its design parameters

If you are aware of any of the following symptoms, have your engine inspected and repaired by your servicing dealer:

- Hard starting or stalling after starting
- Rough idle
- Misfiring or backfiring under load
- Afterburning (backfiring)
- Black exhaust smoke or high fuel consumption

UNPACKING

1. Remove the parts bag, accessories, and inserts included with power washer.
2. Open carton completely by cutting each corner from top to bottom.
3. Ensure you have all included items prior to assembly.
 - Main Unit
 - High Pressure Hose
 - Siphon Hose & Filter
 - Spray Gun
 - Lance with Quick Connect Fitting
 - Oil Bottle
 - Parts Bag (which includes the following):
 - Hose Hook Wireform with Screws and Allen Wrench
 - Operator's Manual
 - Owner's Registration Card
 - Bag containing Color-coded Nozzles
 - Filter Screen
4. If you are missing any items from your carton, please call Generac Customer Service at 1-888-436-3722. When calling for assistance, please have the model and serial number from the data tag available.
5. Fill out and send in registration card. Write Model number, Serial number & date of purchase in the table located in the "Where to Find Us" section.

ASSEMBLY



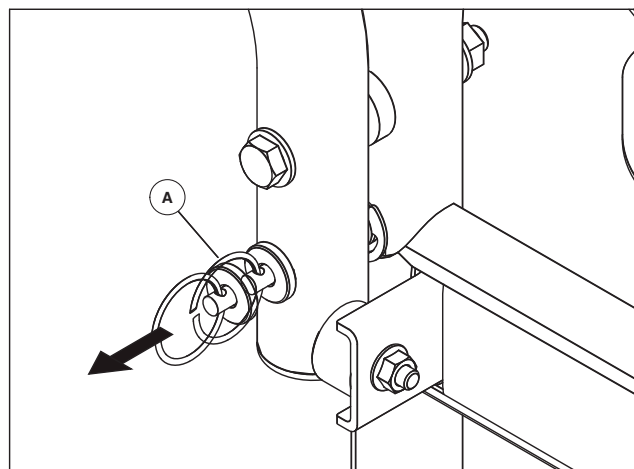
WARNING

Consult Manual. Read and understand manual completely before using machine. Failure to completely understand manual and machine could result in death or serious injury. (000100)

Call Generac Customer Service at 1-888-436-3722 for any assembly issues or concerns. Please have the model and serial number available.

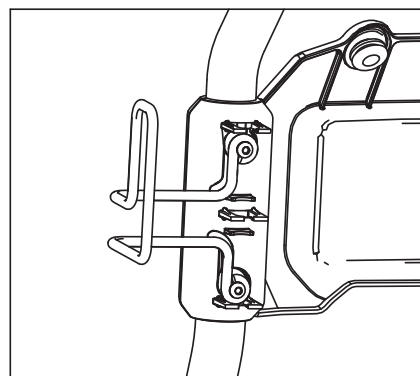
1. The handle may be folded down or locked into position using the integrated pull pin.

Figure 2 – Attach Handle



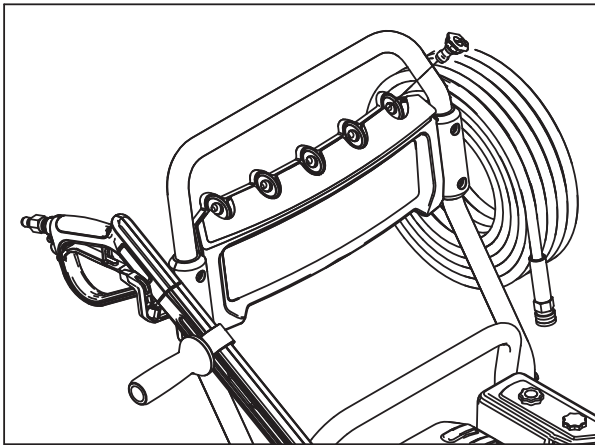
2. Install hose hook using provided screws and allen wrench (Figure 3).

Figure 3 – Install Hose Hook



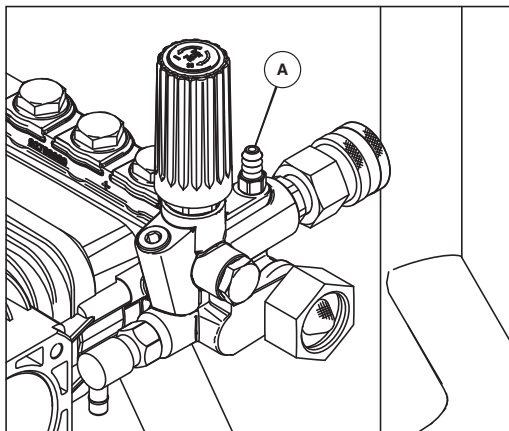
3. Insert color-coded nozzles in spaces provided in handle (Figure 4).
4. Place spray gun and nozzle extension into spray gun holder as shown (Figure 4).

Figure 4 – Insert Nozzles



5. Coil high pressure hose and hang on hook.
6. Attach siphon tube to location A (Figure 5).

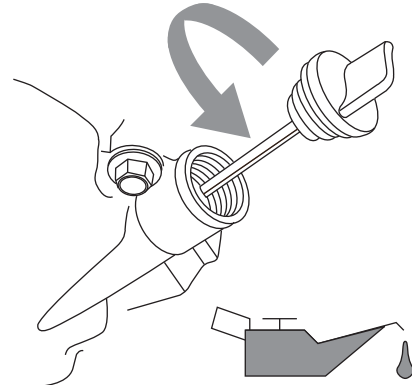
Figure 5 – Siphon Tube Location



ADD ENGINE OIL

1. Place power washer on a flat, level surface.
2. Clean area around oil fill and remove orange oil fill cap/dipstick (Figure 6).

Figure 6 – Fill Engine Oil



000115

3. Using oil funnel (optional), slowly pour oil into oil fill opening. See Maintenance section for oil type recommendation.

NOTE:

On some units there is more than one oil fill location. In these instances it is only necessary to use one of the oil fill points.

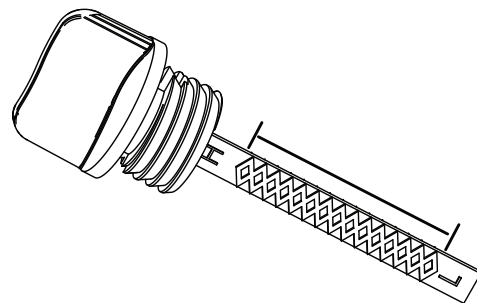
4. Check periodically until the oil level is between "L" and "H" on the dipstick (Figure 7). **DO NOT OVERFILL.**

NOTE:

Any attempt to crank or start the engine before it has been properly serviced with the recommend oil may result in engine failure.

5. Replace oil fill cap/dipstick and fully tighten.

Figure 7 – Dipstick

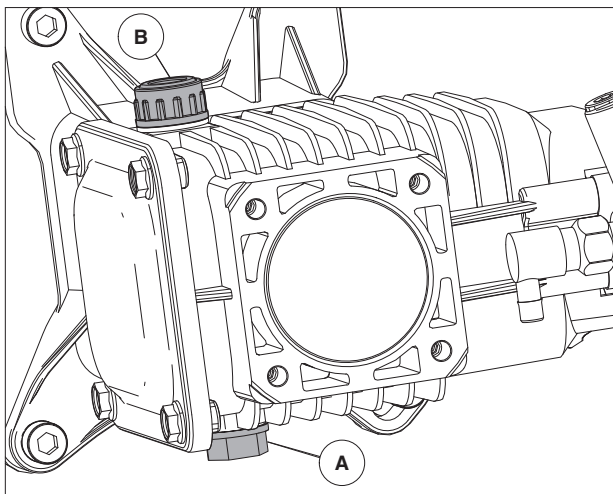


000116

CHECK PUMP OIL

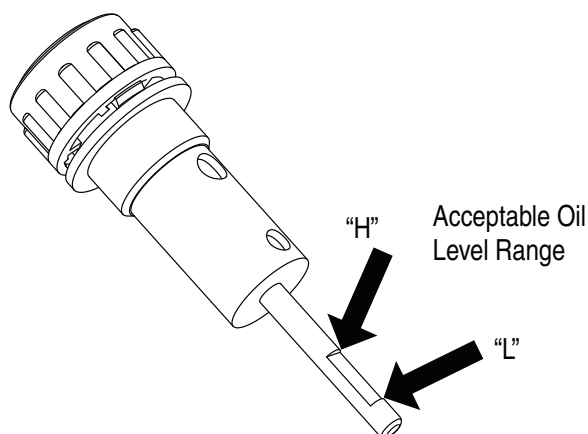
1. Place power washer on a flat, level surface.
2. Clean area around oil fill and remove vented cap/dipstick (B) (Figure 8).

Figure 8 – Check Pump Oil



3. Check to confirm oil level is between the "L" and "H" on the dipstick (Figure 9). If oil is required, see Maintenance section. **DO NOT OVERFILL.**
4. See the Maintenance section for additional information on pump oil maintenance.
5. Install oil dipstick until finger tight.
6. Clean up any spilled oil.

Figure 9 – Pump Oil Dipstick



ADD FUEL

Fuel must meet these requirements:

- Clean, fresh, unleaded gasoline.
- A minimum of 87 octane/87 AKI (91 RON).
- Gasoline with up to 10% ethanol (gasohol) is acceptable.

NOTE:

Avoid power washer damage. Failure to follow Operator's Manual for fuel recommendations voids warranty.

- DO NOT use unapproved gasoline such as E85.
- DO NOT mix oil in gasoline.
- DO NOT modify engine to run on alternate fuels.

To protect the fuel system from gelling, mix in a fuel stabilizer when adding fuel. See Storage. All fuel is not the same. If you experience starting or performance problems after using fuel, switch to a different fuel provider or change brands.



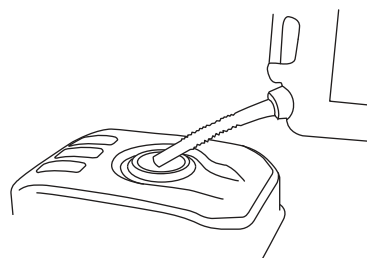
⚠ DANGER

Explosion and Fire. Fuel and vapors are extremely flammable and explosive. Add fuel in a well ventilated area. Keep fire and spark away. Failure to do so will result in death or serious injury. (000105)

WHEN ADDING FUEL

- Turn power washer OFF and let it cool at least two (2) minutes before removing fuel cap. Loosen cap slowly to relieve pressure in tank.
 - Fill fuel tank outdoors.
 - DO NOT overfill tank. Allow space for fuel expansion.
 - If fuel spills, wait until it evaporates before starting engine.
 - Keep fuel away from sparks, open flames, pilot lights, heat, and other ignition sources.
 - DO NOT light a cigarette or smoke.
1. Clean area around fuel fill cap, remove cap.
 2. Slowly add regular unleaded fuel to fuel tank. Be careful not to overfill. Fill to bottom of filter screen, this will allow for fuel expansion (Figure 10).
 3. Install fuel cap and let any spilled fuel evaporate before starting engine.

Figure 10 – Adding Fuel



000117

CONNECT HOSE AND WATER SUPPLY TO PUMP

NOTE:

DO NOT run the pump without the water supply connected and turned on. Damage to equipment resulting from failure to follow this instruction will void warranty.

NOTE:

Remove and discard the shipping cap from the pump's water inlet before attaching hose.

1. Run water through your garden hose for 30 seconds to clean out any debris.
2. Before connecting garden hose to water inlet, inspect inlet screen before installing (A) (Figure 11). The cone should face outward. Clean screen if it contains debris or have it replaced if damaged. **DO NOT** run power washer if inlet screen is damaged.

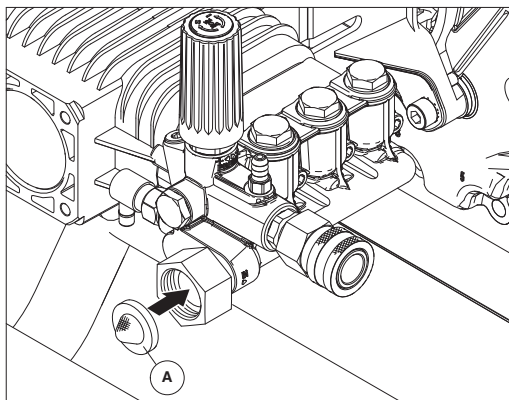
IMPORTANT: **DO NOT** siphon standing water for the water supply. Use **ONLY** cold water (less than 100°F). Water supply must be adequate to handle greater than 3.8 gallons per minute and no less than 30 psi.

NOTE:

Using a One Way Valve (vacuum breaker or check valve) at pump inlet can cause pump or inlet connector damage.

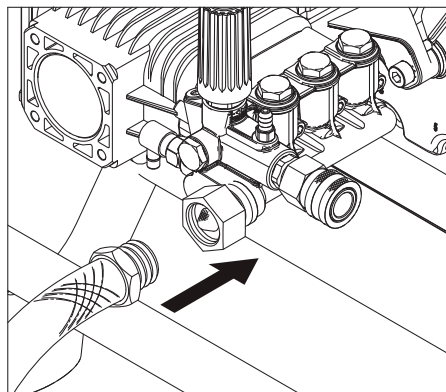
- There **MUST** be at least ten feet of unrestricted garden hose between the power washer inlet and any device, such as a vacuum breaker or check valve.
- Damage to equipment resulting from failure to follow this instruction will void warranty.

Figure 11 – Inspect Inlet Screen



3. Connect the garden hose (not to exceed 50 feet in length) to the water inlet (Figure 12). Tighten by hand.

Figure 12 – Connect Garden Hose



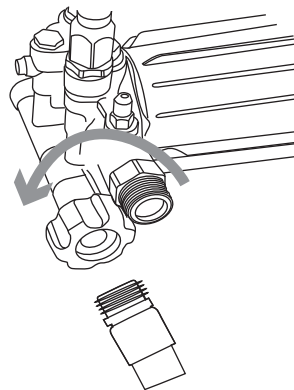
WARNING

Vision Loss. Eye goggles are required to be worn when using this machine. Failure to wear eye goggles could result in permanent vision loss.

(000101)

- Always wear safety goggles when using this equipment or in vicinity of equipment in use.
 - Before starting the power washer, be sure you are wearing adequate safety goggles.
 - NEVER substitute safety glasses for safety goggles.
4. Connect lance to spray gun (Figure 13). Tighten by hand.

Figure 13 – Attach Lance



000119

5. Attach end of high pressure hose to base of spray gun (Figure 14).



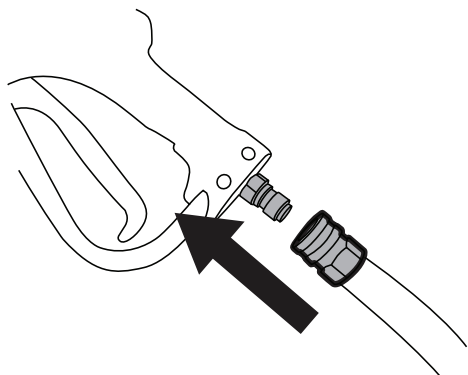
DANGER

Fluid Injection. This machine produces high-pressure fluid streams that can pierce skin. Fluid injection will result in death or serious injury.

(000106)

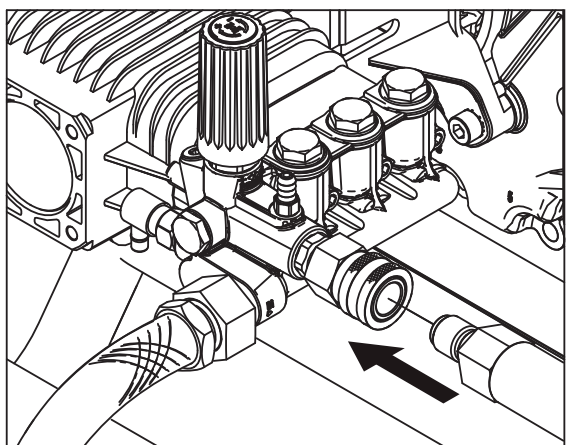
- NEVER connect high pressure hose to lance.
- Keep high pressure hose connected to pump and spray gun while system is pressurized.
- Always be certain spray gun, nozzles and accessories are correctly attached.

Figure 14 – Connect Hose to Spray Gun



6. Connect high pressure hose to pump (uncoil hose before connecting to pump or spray gun) (Figure 15).

Figure 15 – Connect High Pressure Hose to Pump



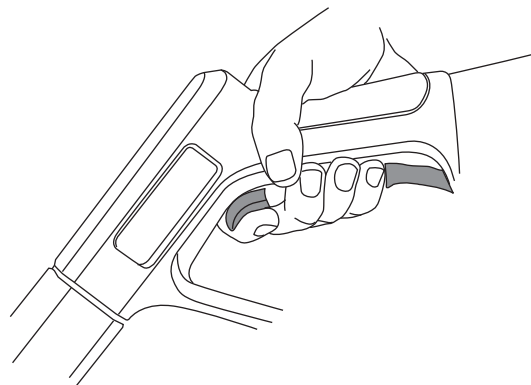
7. Turn ON the water, squeeze the trigger to purge the pump system of air (Figure 16).

CAUTION

Equipment damage. The hose can be damaged if it comes in contact with the hot engine muffler. Keep hose away from muffler during operation.

(000124)

Figure 16 – Squeeze Trigger



000123

HOW TO USE NOZZLES

The quick-connect on the nozzle lance allows you to switch between different nozzles. Nozzles can be changed while the power washer is running, once the spray gun trigger is locked in the safety position. The nozzles vary the pressure and spray pattern as shown.

- For the most effective cleaning, keep the nozzle from 8 to 24 inches (20 to 61 cm) away from the surface being cleaned.
- If you get the nozzle too close, especially using a high pressure nozzle, you may damage the surface being cleaned.



DANGER

Fluid Injection. This machine produces high-pressure fluid streams that can pierce skin. Fluid injection will result in death or serious injury.

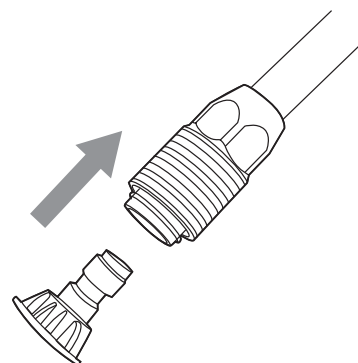
(000106)

- NEVER exchange nozzles without the trigger lock being engaged on the spray gun.
- DO NOT twist nozzles while spraying.

Follow these instructions to change nozzles:

1. Pull back the collar on the quick-connect and pull the current nozzle off. Store nozzles in the accessory storage holder (Figure 17).

Figure 17 – Nozzles

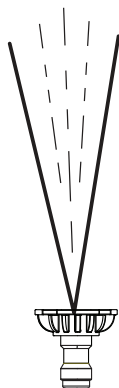


000125

Set-up

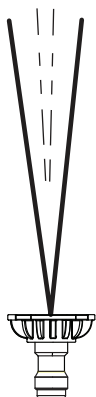
2. Select desired nozzle:
 3. Pull back on the collar, insert the new nozzle and release the collar. Tug on the nozzle to make sure it is securely in place.
- The WHITE NOZZLE is used for delicate rinse (lower pressure and higher flow), for gentle cleaning of cars/trucks, boats, RV's, patio furniture, lawn equipment, etc. (Figure 18).

Figure 18 – Wash Pressure Nozzle (White)



- The GREEN NOZZLE is for general rinsing (medium pressure and medium flow), ideal for most all purpose cleaning such as home siding, brick patios, wood decks, driveways and sidewalks, garage floors, etc. (Figure 19).

Figure 19 – Clean Pressure Nozzle (Green)



- The yellow nozzle is for medium rinsing (higher pressure and medium flow), ideal for removing stains on hard porous surfaces such as concrete driveways, garage floors and brick patios, select yellow nozzle (Figure 20).

Figure 20 – Strip Pressure Nozzle (Yellow)



- The RED NOZZLE is for maximum rinsing (higher pressure and lower flow); for stubborn or hard to reach surface such as second story surfaces, paint removal, oil stains, rust removal or other stubborn substances (tar, gum, grease, wax, etc.) (Figure 21).



This nozzle can damage work surfaces if it is too close, or held in one position for an extended period of time.

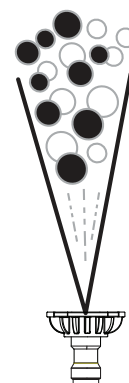
(000125)

Figure 21 – Blast Pressure Nozzle (Red)



- Use the BLACK NOZZLE when applying detergent (Figure 22). Only use power washer safe detergents/soaps to help break down stubborn dirt and grime on a variety of surfaces.

Figure 22 – Detergent Nozzle (Black)



CLEANING AND APPLYING DETERGENT



Chemicals can cause bodily injury, and/or property damage.

(000126)

- NEVER use caustic liquid with the power washer.
- Use ONLY power washer safe detergents/soaps. Follow all manufacturer's instructions.

To apply detergent, follow these steps:

1. Review proper use of nozzles.
2. Prepare detergent solution as required by the job into a container located within the proximity of the siphon tube.
3. Make sure the siphoning tube remains fully submerged into the detergent.

NOTE:

Make sure the filter remains fully submerged in detergent while applying detergent.

NOTE:

Contact with the hot muffler can damage the detergent siphoning tube.

4. When inserting the siphon into a detergent solution bottle, route the tube so as to keep it from inadvertently contacting the hot muffler.
5. Make sure the black detergent nozzle is installed.

NOTE:

Detergent cannot be applied with the high pressure nozzles (Yellow, White, Green or Red). Only use the Black nozzle with detergent.

6. Confirm that all set-up instructions have been followed.

NOTE:

You must attach all the hoses before you start the engine.

- Starting the engine without all the hoses connected, and without the water turned ON, will damage the pump.
 - Damage to the equipment resulting from failure to follow these instructions will void the warranty.
7. Start engine following instructions How to Start Your Power Washer.
 8. Apply detergent to a dry surface, starting at the lower portion of the area to be washed and work upward using long, even, overlapping strokes.
 9. Allow the detergent to "soak in" for 3-5 minutes before washing and rinsing. Reapply as needed to prevent the surface from drying. DO NOT allow the detergent to dry on the surface being cleaned (prevents streaking).

IMPORTANT: You must flush the detergent siphoning system after each use by placing the filter into a bucket of clean water, then run the power washer in low pressure for 1-2 minutes.

POWER WASHER RINSING

1. Remove the black detergent nozzle from the lance.
2. Select and install the desired high pressure nozzle following the instructions How to Use Nozzles.
3. Point the spray gun in a safe direction and away from people, animals and plants. Squeeze the trigger to flush any remaining chemicals from the system.
4. Keep the spray gun a safe distance from the area you plan to spray.



Risk of Falling. Use of machine creates wet areas and trip hazards. Be aware of work area conditions. A fall could result in death or serious injury.

(000112)



Risk of Falling. Do not use this machine or any components on elevated surfaces. Doing so can result in a fall, serious injury or death.

(000114)



Recoil Hazard. Recoil could retract unexpectedly if water pressure is not properly relieved from pump, creating kickback. Kickback could result in death or serious injury.

(000113)

- Use only on a level surface.
 - Do not use on an elevated surface to prevent the risk of a serious fall.
 - Firmly grasp the spray gun with both hands when using the high pressure spray to avoid injury when the spray gun kicks back.
5. Apply a high pressure spray to a small area and then check surface for damage. If no damage is found, you can assume it is okay to continue rinsing.
 6. Start at the top of the area to be rinsed, working down with the same overlapping strokes used for cleaning.

CLEANING DETERGENT SIPHONING TUBE

If you used the detergent siphoning tube, you must flush it with clean water before stopping the engine.

1. Place the detergent siphoning tube/filter in a bucket full of clean water.
2. Remove the high pressure nozzle from the nozzle extension.
3. Select and install the black detergent nozzle following the instructions How to Use Nozzles.
4. Flush for 1-2 minutes.
5. Shut the engine off following the instructions How to Stop Power Washer, and turn off water supply.
6. ALWAYS point the spray gun in a safe direction, squeeze the spray gun trigger to release retained high water pressure. Engage the trigger lock when not in use.

Operation

IMPORTANT: Spray gun traps high water pressure, even when the engine is stopped and water is disconnected.



⚠ DANGER

Fluid Injection. This machine produces high-pressure fluid streams that can pierce skin. Fluid injection will result in death or serious injury. (000106)

- Keep the high pressure hose connected to the pump and spray gun while the system is pressurized.
- ALWAYS point the spray gun in a safe direction, and squeeze the spray gun trigger to release high pressure every time you stop the engine. Engage the trigger lock when not in use.

OPERATION

If you have any problems operating your power washer, please call Generac customer service at 1-888-436-3722.

POWER WASHER LOCATION

Clearances and Air Movement



⚠ DANGER

Asphyxiation. Running engines produce carbon monoxide, a colorless, odorless, poisonous gas. Carbon monoxide, if not avoided, will result in death or serious injury. (000103)

NOTE:

For more information, reference the Carbon Monoxide warnings in the Safety Rules section.

Place the power washer outdoors, in an area that will not accumulate deadly exhaust gas. NEVER place the power washer where exhaust gas could accumulate and enter inside, or be drawn into a potentially occupied building. Ensure the exhaust gas is kept away from any windows, doors, ventilation intakes, or other openings that can allow the exhaust gas to collect in a confined area. Prevailing winds and air currents should be taken into consideration when positioning the power washer (Figure 23).

- Operate the power washer outdoors ONLY.
- Keep the exhaust gas from entering a confined area through windows, doors, ventilation intakes, or other openings.
- NEVER start or run engine indoors, in a vehicle, or in an enclosed area, EVEN IF windows and doors are open.

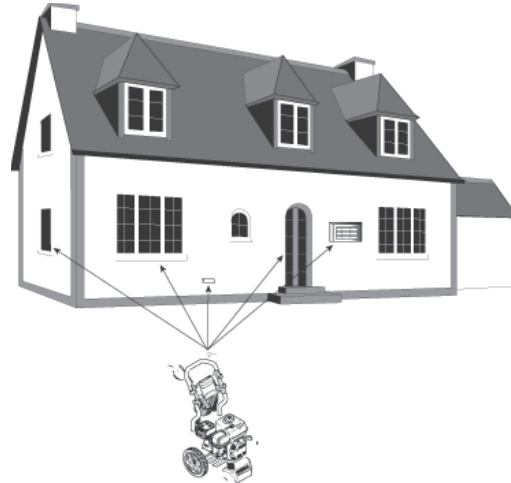


⚠ WARNING

Risk of Fire. Hot surfaces could ignite combustibles, resulting in fire. Fire could result in death or serious injury. (000110)

- Keep at least 5 ft. (152 cm) clearance on all sides of the power washer including overhead.

Figure 23 – Building Clearances



000126

CHECKLIST BEFORE STARTING ENGINE

1. Be sure to read and understand the Operator Safety section and the Operation section before using the power washer.
2. Check that oil is at the proper level in the engine crankcase and that fuel has been added to the fuel tank.
3. Review the unit's assembly and ensure the fittings are properly secured. Also make sure there are no kinks, cuts, or damage to high pressure hose.
4. Provide a proper water supply at an adequate flow, clear screens of debris, and confirm that the system is purged of air.
5. Confirm that the unit is on secure, level ground and the surrounding work area is clear.

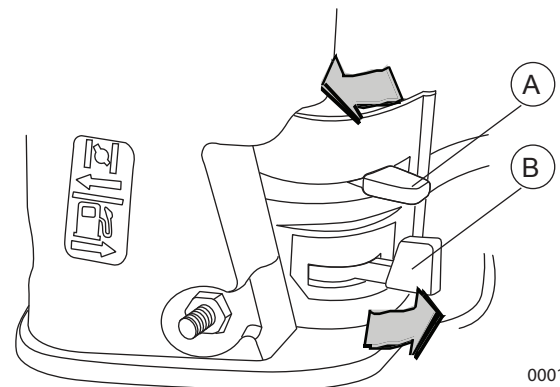
HOW TO START YOUR POWER WASHER

NOTE:

DO NOT run the pump without the water supply connected and turned on. Damage to the equipment resulting from failure to follow these instructions will void warranty.

1. Move fuel valve (B) to ON (Figure 24).
2. Move choke lever (A) to CLOSE.

Figure 24 – Fuel Valve



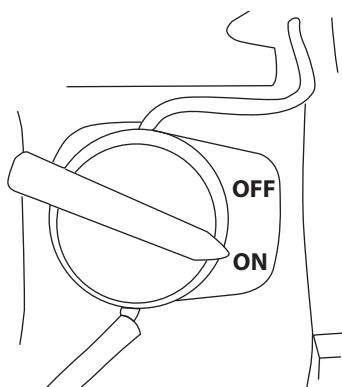
000127

NOTE:

For a warm engine, be sure the choke lever is in the “OPEN” position.

- See Figure 25. Turn engine switch ON.

Figure 25 – The ON Position



000128



WARNING

Vision Loss. Eye goggles are required to be worn when using this machine. Failure to wear eye goggles could result in permanent vision loss.

(000101)

- Always wear safety goggles when using this equipment or in the vicinity of equipment in use.
 - Before starting the power washer, be sure you are wearing adequate safety goggles.
 - NEVER substitute safety glasses for safety goggles.
- Relieve spray gun pressure.
 - Place foot on footpad or otherwise secure the unit from movement when pulling the recoil.
 - When starting the engine, grasp the starter grip handle (Figure 26) and pull slowly until you feel some resistance. Then pull rapidly to start engine.



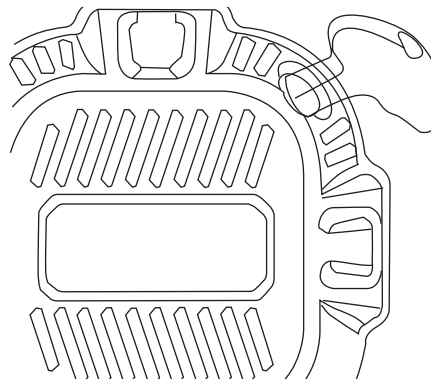
WARNING

Recoil Hazard. Recoil could retract unexpectedly if water pressure is not properly relieved from pump, creating kickback. Kickback could result in death or serious injury.

(000113)

- NEVER pull the starter cord without first relieving the spray gun pressure.
 - When starting the engine, pull the cord slowly until resistance is felt, then pull rapidly to avoid kickback.
 - After each starting attempt, where engine fails to run, always point the spray gun in a safe direction and squeeze the spray gun trigger to release high pressure.
 - Firmly grasp the spray gun with both hands when using high pressure spray to avoid injury when the spray gun kicks back.
- Return the starter grip handle slowly. DO NOT let the rope “snap back” against the starter.

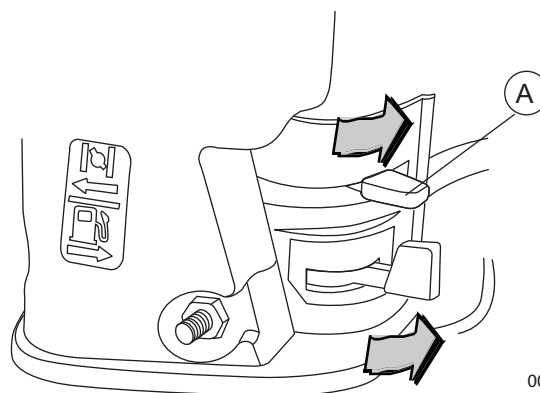
Figure 26 – Starting the Engine



000129

- When the engine starts, slowly move the choke lever to the “OPEN” position (A) as the engine warms. If the engine falters, move the choke lever to the “CLOSE” position, then to the “OPEN” position (Figure 27).

Figure 27 – Choke Lever



000127

- After each starting attempt, where the engine fails to run, always point the gun in a safe direction, and squeeze the spray gun trigger to release high pressure.
- If the engine fails to start after six pulls, move the choke lever to the “OPEN” position, and repeat steps 6 through 10.



DANGER

Fluid Injection. This machine produces high-pressure fluid streams that can pierce skin. Fluid injection will result in death or serious injury.

(000106)

- DO NOT allow CHILDREN to operate the power washer or play nearby.
- Keep the high pressure hose connected to the pump and spray gun while the system is pressurized.
- NEVER aim the spray gun at people, animals or electrical devices. Serious injury will result.
- DO NOT secure the spray gun in the open position.
- DO NOT leave the spray gun unattended while the machine is running.
- NEVER use a spray gun which does not have a trigger lock or trigger guard in place and in working order.

Maintenance

- Always be certain the spray gun, nozzles and accessories are correctly attached.



⚠️ WARNING

Hot Surfaces. When operating machine, do not touch hot surfaces. Keep machine away from combustibles during use. Hot surfaces could result in severe burns or fire. (000108)



⚠️ WARNING

Risk of Fire. Hot surfaces could ignite combustibles, resulting in fire. Fire could result in death or serious injury. (000110)

- DO NOT touch hot parts and AVOID hot exhaust gases.
- Allow the equipment to cool before touching.
- Keep at least five (5) feet (152 cm) of clearance on all sides of the power washer including overhead.
- It is a violation of California Public Resource Code, Section 4442, to use or operate the engine on any forest-covered, brush-covered, or grass-covered land unless the exhaust system is equipped with a spark arrester, as defined in Section 4442, maintained in effective working order. Other states or federal jurisdictions may have similar laws.
- Replacement parts must be the same and installed in the same position as the original parts.

AUTOMATIC COOL DOWN SYSTEM (THERMAL RELIEF)

If you run the engine on your power washer for 3-5 minutes without pressing the trigger on the spray gun, circulating water in the pump can reach temperatures above 125°F. The system engages to cool the pump by **discharging the warm water onto the ground.**

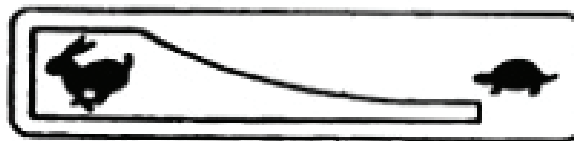
ADJUSTABLE PRESSURE SETTING

Your pressure washer pump is equipped with a feature that allows you to adjust the pressure setting. The pump is preset at the factory to achieve the highest possible pressure. To decrease the pressure, turn the pressure control knob counterclockwise to the desired pressure. Turning the pressure control knob clockwise until it stops will set the pressure back to the factory setting.

HOW TO STOP YOUR POWER WASHER

1. Release the spray gun trigger.
2. Move the throttle control lever on the engine to the "LOW" (turtle) position (Figure 28).

Figure 28 – Throttle Position



High

Low

3. Turn the engine ON/OFF switch to the "OFF" position.
4. ALWAYS point the spray gun in a safe direction, and the squeeze spray gun trigger to release retained high water pressure. Engage the trigger lock when not in use.
5. Turn OFF the water supply.

IMPORTANT: The spray gun traps high water pressure, even when the engine is stopped and the water is disconnected.



⚠️ DANGER

Fluid Injection. This machine produces high-pressure fluid streams that can pierce skin. Fluid injection will result in death or serious injury. (000106)

- Keep the high pressure hose connected to the pump and spray gun while the system is pressurized.
- ALWAYS point the spray gun in a safe direction, squeeze the spray gun trigger to release high pressure every time you stop the engine. Engage the trigger lock when not in use.

MAINTENANCE RECOMMENDATIONS

Regular maintenance will improve the performance and extend the life of the power washer. See any qualified dealer for service.

The power washer's warranty does not cover items that have been subjected to operator abuse or negligence. To receive full value from the warranty, the operator must maintain the power washer as instructed in this manual, including proper storage as detailed in Winter Storage and Long Term Storage.

NOTE:

Should you have questions about replacing components on your power washer, please call 1-888-436-3722 for assistance.

Some adjustments will need to be made periodically to properly maintain your power washer.

All service and adjustments should be made at least once each season. Follow the requirements in the Maintenance Schedule chart.

NOTE:

Once a year you should clean or replace the spark plug, clean or replace the air filter, and check the spray gun and nozzle extension assembly for wear. A new spark plug and clean air filter assure proper fuel-air mixture and help your engine run better and last longer.

MAINTENANCE SCHEDULE

Follow the hourly or calendar intervals, whichever occurs first. More frequent service is required when operating in adverse conditions.

First 5 Hours
Change engine oil
Every 8 Hours or Daily
Check/clean water inlet screen*
Check high pressure hose
Check detergent siphoning hose/filter
Check spray gun and assembly for leaks
Clean debris
Check engine oil level
Check pump oil level
Every 50 Hours or Every Season
Check/clean air cleaner filter**
Change pump oil**
Change engine oil**
Inspect muffler and spark arrester*
Every 100 Hours or Every Season
Service spark plug
* Clean if clogged. Replace if perforated or torn.
** Service more often under dirty or dusty conditions.

EMISSIONS CONTROL

Maintenance, replacement, or repair of the emissions control devices and systems may be performed by any non-road engine repair establishment or individual. However, to obtain "no charge" emissions control service, the work must be performed by a factory authorized dealer. See the Emissions Warranty.

POWER WASHER MAINTENANCE

Clean Debris

Daily or before use, clean accumulated debris from the cleaning system. Keep the linkage, spring and controls clean. Keep the area around and behind the muffler free from any combustible debris. Inspect the cooling air slots and openings on the power washer. These openings must be kept clean and unobstructed.

Power washer parts should be kept clean to reduce the risk of overheating and ignition of accumulated debris.

- Use a damp cloth to wipe exterior surfaces clean.

NOTE:

Improper treatment of the power washer can damage it and shorten its life.

- DO NOT insert any objects through the cooling slots.
- Use a soft bristle brush to loosen caked on dirt, oil, etc.
- Use a vacuum cleaner to pick up loose dirt and debris.

CHECK AND CLEAN INLET SCREEN

Examine the screen on the pump's water inlet. Clean the screen if it is clogged, or replace the screen if damaged.

CHECK HIGH PRESSURE HOSES

The high pressure hoses can develop leaks from wear, kinking, or abuse. Inspect the hoses each time before using them. Check for cuts, leaks, abrasions or bulging of cover, damage or movement of couplings. If any of these conditions exist, replace the hose immediately.



⚠ DANGER

Fluid Injection. This machine produces high-pressure fluid streams that can pierce skin.

Fluid injection will result in death or serious injury.

(000106)

- NEVER repair high pressure hose. Replace it.
- Replacement hose rating MUST meet or exceed maximum pressure rating of unit.

CHECK DETERGENT SIPHONING TUBE

Examine the filter on the detergent tube and clean it if clogged. The tube should fit tightly on the barbed fitting. Examine the tube for leaks or tears. Replace the filter or tube if either is damaged.

CHECK SPRAY GUN

Examine the hose connection to the spray gun and make sure it is secure. Test the trigger by pressing the trigger, it "springs back" into place when you release it. Replace the spray gun immediately if it fails to "spring back".

NOZZLE MAINTENANCE

A pulsing sensation felt while squeezing the spray gun trigger may be caused by excessive pump pressure. The principal cause of excessive pump pressure is a nozzle clogged or restricted with foreign materials, such as dirt, etc. To correct the problem, immediately clean the nozzle following these instructions:

1. Shut off the engine and turn off the water supply.
2. ALWAYS point the spray gun in a safe direction, squeeze the spray gun trigger to release retained high water pressure.



⚠ DANGER

Fluid Injection. This machine produces high-pressure fluid streams that can pierce skin.

Fluid injection will result in death or serious injury.

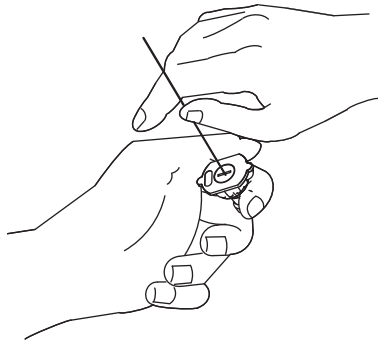
(000106)

- Keep the high pressure hose connected to the pump and spray gun while the system is pressurized.
- ALWAYS point the spray gun in a safe direction, and squeeze the spray gun trigger to release high pressure every time you stop the engine. Engage the trigger lock when not in use.
- 3. Remove the nozzle from the end of nozzle extension.

Maintenance

4. Use a small paper clip to free any foreign material clogging or restricting the nozzle (Figure 29).
5. Remove the lance from the spray gun.

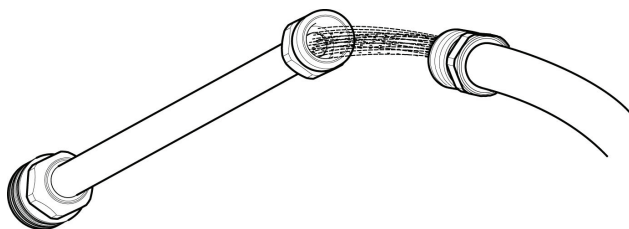
Figure 29 – Free Foreign Material



000109

6. Using a garden hose, remove additional debris by back flushing water through the lance (Figure 30) for 30 to 60 seconds.

Figure 30 – Back Flush Lance



7. Reinstall the nozzle into the lance.
8. Reconnect the lance to the spray gun.
9. Make sure the garden hose is connected to the pump water inlet. Check that the high pressure hose is connected to the spray gun and pump. Turn on the water.
10. Start the engine following the instructions How to Start Your Power Washer.
11. Test the power washer by operating it with each quick connect nozzle.

PUMP OIL MAINTENANCE

Change pump oil every 50 hours of operation.

1. Clean area around oil drain plug (A) (Figure 31).
2. Remove oil drain plug. Drain oil completely.
3. Install oil drain plug. Do not over tighten.
4. Clean Area around oil dipstick (B).
5. Fill pump with SAE 30 non-detergent oil. Oil level must be between the "L" and "H" mark on dipstick (Figure 32). **DO NOT OVERFILL.**
6. Install oil dipstick until finger tight.
7. Clean up any spilled oil.

Figure 31 – Drain Pump Oil

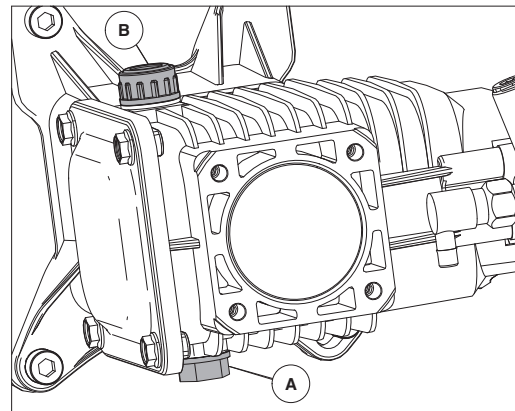
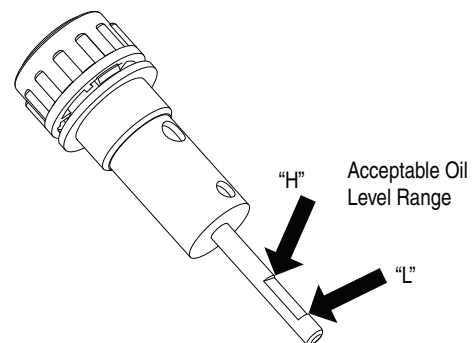


Figure 32 – Dipstick



ENGINE MAINTENANCE



⚠ DANGER

Electrocution. Water contact with a power source, if not avoided, will result in death or serious injury.

(000104)

WHEN ADJUSTING OR MAKING REPAIRS TO YOUR POWER WASHER:

- Disconnect the spark plug wire from the spark plug and place the wire where it cannot contact spark plug.

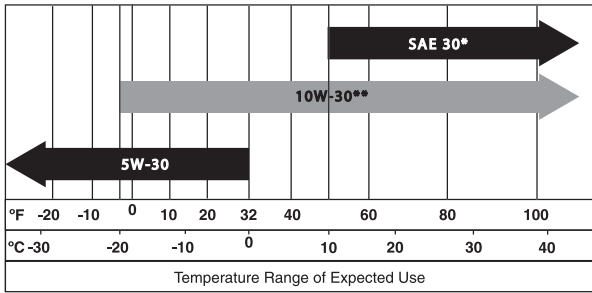
WHEN TESTING FOR ENGINE SPARK:

- Use an approved spark plug tester.
- DO NOT check for spark with spark plug removed.

ENGINE OIL RECOMMENDATIONS

We recommend the use of high-quality detergent oils acceptable if classified for service SF, SG, SH, SJ or higher. DO NOT use special additives.

Outdoor temperatures determine the proper oil viscosity for the engine. Use the chart to select the best viscosity for the outdoor temperature range expected.



* Below 50°F (10°C) the use of SAE 30 will result in hard starting.
 ** Above 80°F (27°C) the use of 10W30 may cause increased oil consumption. Check oil level more frequently.

NOTE:

Synthetic oil meeting ILSAC GF-2, API certification mark and API service symbol with "SJ/CF ENERGY CONSERVING" or higher, is an acceptable oil at all temperatures. Use of synthetic oil does not alter required oil change intervals.

NOTE:

The engine is equipped with an "Oil Alert System". This system will automatically stop the engine before the oil level falls below a safe limit. To avoid the inconvenience of an unexpected shutdown, always check the engine oil level before startup.

CHECKING OIL LEVEL

The oil level should be checked prior to each use or at least every 8 hours of operation. Keep the oil level maintained.

1. Make sure the power washer is on a level surface.
2. Clean area around oil fill cap (Figure 34).
3. Remove oil fill cap and wipe dipstick clean.
4. Insert dipstick into filler neck but do not screw it in.
5. Verify oil is at proper level on the dipstick (Figure 35).
6. Replace and tighten oil fill cap, finger tight.

ADDING ENGINE OIL

1. Make sure the power washer is on a level surface.
2. Check the oil level as described in Checking Oil Level section.
3. If level is low, fill until the oil level is between "L" and "H" on the dipstick (Figure 35).
4. Verify oil level per the Checking Oil Level section.
5. Replace and tighten the oil fill cap, finger tight.

CHANGING ENGINE OIL

If you are using your power washer under extremely dirty or dusty conditions, or in extremely hot weather, change the oil more often.



Avoid prolonged or repeated skin contact with used motor oil.

(000127)

- Used motor oil has been shown to cause skin cancer in certain laboratory animals.
- Thoroughly wash exposed areas with soap and water.



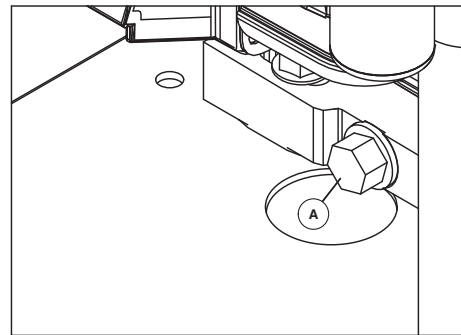
Keep out of reach of children.

(000128)

- Don't pollute. Conserve resources. Return used oil to collection centers.
- Change oil while the engine is still warm from running as follows:

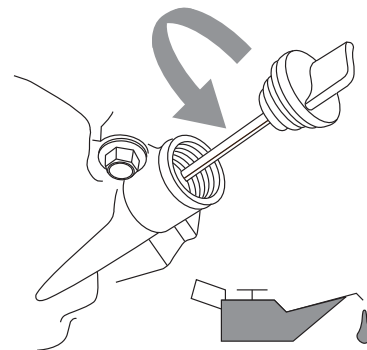
1. Make sure the unit is on a level surface.
2. Disconnect the spark plug wire from the spark plug and place the wire where it cannot contact spark plug.
3. Clean the area around the oil drain plug (A) (Figure 33). The oil drain plug is located at the base of the engine, opposite the carburetor.

Figure 33 – Oil Drain Plug



4. Remove the oil fill cap (Figure 34).
5. Remove the oil drain plug and drain oil completely into a suitable container.
6. Reinstall the oil drain plug and tighten securely.

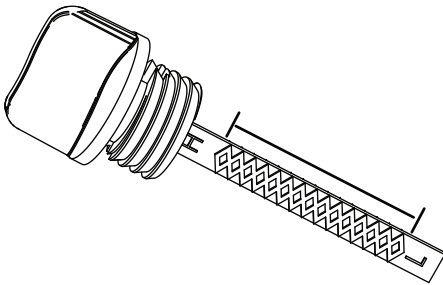
Figure 34 – Fill Engine Oil



000115

7. Slowly pour oil into the oil fill opening until the oil level is between "L" and "H" on the dipstick (Figure 35). **DO NOT overfill.**

Figure 35 – Dipstick



000116

8. Install oil dipstick until finger tight.
9. Clean up any spilled oil.
10. Properly dispose of oil in accordance with all local regulations.

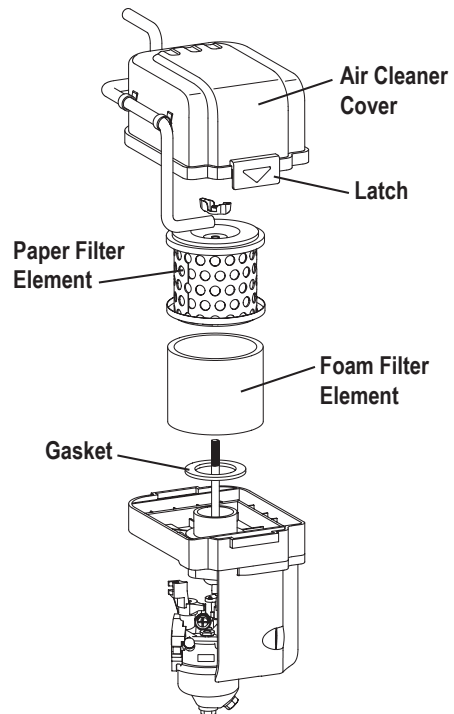
SERVICE AIR CLEANER

Your engine will not run properly and may be damaged if you run it with a dirty air cleaner. Service more often if operating under dirty or dusty conditions.

To service the air cleaner, follow these steps:

1. Pull on air cleaner cover latch and remove cover (Figure 36).
2. Loosen wing nut.
3. Carefully remove filter assembly.
4. Remove foam filter.
5. To clean cartridge, gently tap on a flat surface.
6. Reinstall foam filter.
7. Reinstall clean or new cartridge assembly.
8. Reinstall wing nut and tighten.
9. Install cover by snapping latch closed.

Figure 36 – Service the Air Cleaner

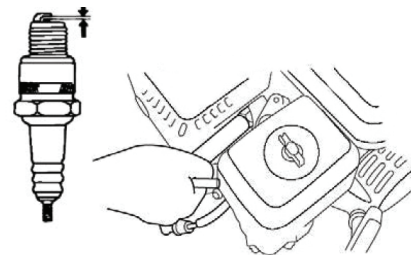


SERVICE SPARK PLUG

Changing the spark plug will help the engine to start easier and run better.

1. Clean the area around the spark plug.
2. Remove and inspect the spark plug (Figure 37).
3. Check the electrode gap with a wire feeler gauge and reset the spark plug gap to the recommended gap, if necessary (see Specifications).
4. Replace the spark plug if the electrodes are pitted, burned or the porcelain is cracked. Use the recommended replacement plug. See Specifications.
5. Install the spark plug and tighten firmly.

Figure 37 – Change the Spark Plug



000134

INSPECT MUFFLER AND SPARK ARRESTER

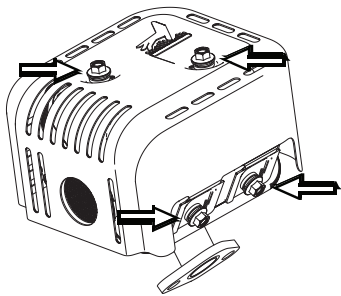
Inspect the muffler for cracks, corrosion, or other damage. Remove the spark arrester, if equipped, and inspect it for damage or carbon blockage. If replacement parts are required, make sure to use only original equipment replacement parts.

REMOVE SPARK ARRESTER SCREEN

Tools Required: 8mm Box Wrench

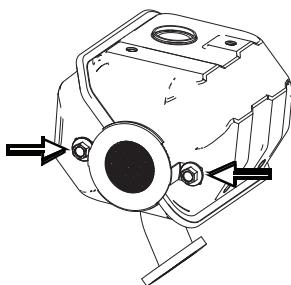
1. Remove heat shield from the muffler by loosening the four (4) Bolts (A) (Figure 38).
2. Remove the spark arrester from the muffler by loosening the two (2) Bolts (B) (Figure 39).
3. Inspect the spark arrester, replace if torn, perforated or otherwise damaged (part number 0K1851). DO NOT USE A DEFECTIVE SCREEN.
4. If screen is not damaged, clean it with a commercial solvent and replace.

Figure 38 – Remove Heat Shield



000135

Figure 39 – Remove Spark Arrester



000136



⚠️ WARNING

Risk of Fire. Hot surfaces could ignite combustibles, resulting in fire. Fire could result in death or serious injury.

(000110)

- DO NOT touch hot parts and AVOID hot exhaust gases.
- Allow equipment to cool before touching.
- Keep at least 5 feet (152 cm) of clearance on all sides of the power washer including overhead.

- It is a violation of California Public Resource Code, Section 4442, to use or operate the engine on any forest-covered, brush-covered, or grass-covered land unless the exhaust system is equipped with a spark arrester, as defined in Section 4442, maintained in effective working order. Other states or federal jurisdictions may have similar laws.

Contact the original equipment manufacturer, retailer, or dealer to obtain a spark arrester designed for the exhaust system installed on this engine.

- Replacement parts must be the same and installed in the same position as the original parts.

AFTER EACH USE

Water should not remain in the unit for long periods of time. Sediments or minerals can deposit on pump parts and freeze pump action. Follow these procedures after every use:

1. Shut off the engine, turn off the water supply, point the gun in a safe direction, and squeeze the trigger to relieve trapped pressure, and let the engine cool.



⚠️ DANGER

Fluid Injection. This machine produces high-pressure fluid streams that can pierce skin. Fluid injection will result in death or serious injury. (000106)

- Keep the high pressure hose connected to the pump and spray gun while the system is pressurized.
 - ALWAYS point the spray gun in a safe direction, and squeeze the spray gun trigger to release high pressure every time you stop the engine. Engage the trigger lock when not in use.
2. Disconnect the hoses from the spray gun and high pressure outlet on the pump. Drain water from the hoses, spray gun, and lance. Use a rag to wipe off the hose.
 3. Empty the pump of all pumped liquids. Check that the engine ON/OFF switch and fuel valve are in the OFF position. Then pull the recoil handle about six times. This should remove most of the liquid in the pump.
 4. Store the unit in a clean, dry area.
 5. If storing for more than 30 days, see the Long Term Storage section.



⚠️ DANGER

Explosion and Fire. Fuel and vapors are extremely flammable and explosive. Add fuel in a well ventilated area. Keep fire and spark away. Failure to do so will result in death or serious injury. (000105)

WHEN STORING FUEL OR EQUIPMENT WITH FUEL IN TANK:

- Store away from furnaces, stoves, water heaters, clothes dryers, or other appliances that have a pilot light or other ignition source because they can ignite fuel vapors.

WINTER STORAGE

NOTE:

You must protect the unit from freezing temperatures.

- Failure to do so will permanently damage the pump and render the unit inoperable.
- Freeze damage is not covered under the warranty.

To protect the unit from freezing temperatures:

1. Follow steps 1-3 in the previous section, After Each Use.
2. Use a pump saver to treat pump. This minimizes freeze damage and lubricates the pistons and seals.
3. If a pump saver is not available, connect a 3-foot section of garden hose to the water inlet adapter. Pour RV-antifreeze (antifreeze without alcohol) into the hose. Pull the recoil handle twice. Disconnect the 3-foot hose.
4. Store the unit in a clean, dry area.

LONG TERM STORAGE

If you do not plan to use the power washer for more than 30 days, you must prepare the engine and pump for long term storage.

PROTECT FUEL SYSTEM

Fuel can become stale when stored for over 30 days. Stale fuel causes acid and gum deposits to form in the fuel system or on essential carburetor parts. To keep the fuel fresh, use a fuel stabilizer, available as a liquid additive or a drip concentrate cartridge.

There is no need to drain the gasoline from the engine if a fuel stabilizer is added according to instructions. Run the engine for 2 minutes to circulate the stabilizer throughout the fuel system. The engine and fuel can then be stored up to 24 months (per fuel stabilizer manufacturer's specifications).

If the gasoline in the engine has not been treated with a fuel stabilizer, it must be drained into an approved container. Run the engine until it stops from lack of fuel. The use of a fuel stabilizer in the storage container is recommended to maintain freshness.

CHANGE OIL

While the engine is still warm, drain the oil from crankcase. Refill with the recommended grade. See Changing Engine Oil in Engine Maintenance.

PROTECTING THE PUMP

To protect the pump from damage caused by mineral deposits or freezing, use PumpSaver or RV-antifreeze to treat the pump. This prevents freeze damage and lubricates pistons and seals.

- Failure to do so will permanently damage the pump and render the unit inoperable.
- Freeze damage is not covered under warranty.

To protect the unit from freezing temperatures:

1. Follow steps 1-3 in the previous section After Each Use.

2. Use a pump saver to treat pump. This minimizes freeze damage and lubricates pistons and seals.
3. If a pump saver is not available, connect a 3-foot section of garden hose to the water inlet adapter. Pour RV-antifreeze (antifreeze without alcohol) into the hose. Pull the recoil handle twice. Disconnect the 3-foot hose.



WARNING

Risk of Fire. Verify machine has properly cooled before installing cover and storing machine. Hot surfaces could result in fire.

(000109)

- DO NOT place a storage cover over a hot power washer.
 - Let the equipment cool for a sufficient time before placing the cover on the equipment.
4. Store unit in a clean, dry area.

OTHER STORAGE INSTRUCTIONS

1. DO NOT store fuel from one season to another unless it has been treated as described in Protect Fuel System.
2. Replace the fuel container if it starts to rust. Rust and/or dirt in fuel can cause problems if it's used with this unit.
3. Cover the unit with a suitable protective cover that does not retain moisture.
4. Store the unit in a clean, dry area.

TRANSPORTING/TIPPING OF THE UNIT

Do not operate, store or transport the unit at an angle greater than 15 degrees.

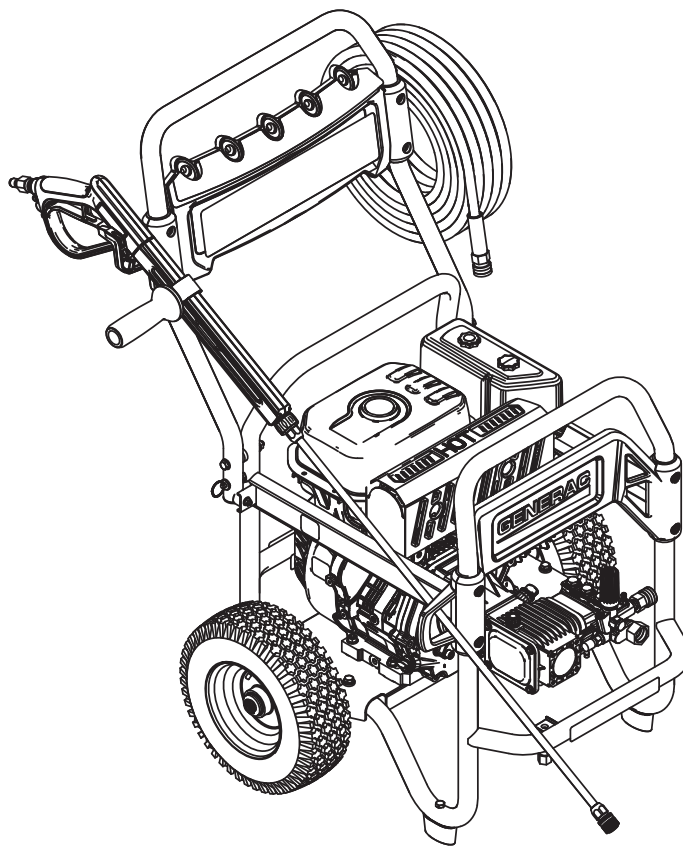
TROUBLESHOOTING GUIDE

PROBLEM	CAUSE	CORRECTION
Pump has following problems: failure to produce pressure, erratic pressure, chattering, loss of pressure, low water volume.	<ol style="list-style-type: none"> 1. Low pressure nozzle installed. 2. Water inlet is blocked. 3. Inadequate water supply. 4. Inlet hose is kinked or leaking. 5. Clogged inlet hose screen. 6. Water supply is over 100°F. 7. High pressure hose is blocked or leaks. 8. Spray gun leaks. 9. Nozzle is obstructed. 10. Pump is faulty. 	<ol style="list-style-type: none"> 1. Replace with high pressure nozzle. 2. Clear inlet. 3. Provide adequate water flow. 4. Straighten inlet hose, patch leak. 5. Check and clean inlet hose screen. 6. Provide cooler water supply. 7. Clear blocks in outlet hose or replace hose. 8. Replace spray gun. 9. Clean nozzle. 10. Contact local service facility.
Detergent fails to mix with spray.	<ol style="list-style-type: none"> 1. Detergent siphoning tube is not submerged. 2. Detergent siphoning tube/filter is clogged or cracked. 3. High pressure nozzle installed. 	<ol style="list-style-type: none"> 1. Insert detergent siphoning tube into detergent. 2. Clean or replace filter/detergent siphoning tube. 3. Replace with low pressure nozzle.
Engine runs well at no-load but "bogs" when load is added.	<ol style="list-style-type: none"> 1. Engine speed is too slow. 	<ol style="list-style-type: none"> 1. Move throttle control to FAST position. If engine still "bogs down", contact local service facility.
Engine will not start; or starts and runs rough.	<ol style="list-style-type: none"> 1. Low oil level, "Oil Alert System". 2. Dirty air cleaner. 3. Out of fuel. 4. Stale fuel. 5. Spark plug wire not connected to spark plug. 6. Bad spark plug. 7. Water in fuel. 8. Excessively rich fuel mixture. 	<ol style="list-style-type: none"> 1. Fill crankcase to proper level. 2. Clean or replace air cleaner. 3. Fill fuel tank. 4. Drain fuel tank; fill with fresh fuel. 5. Connect wire to spark plug. 6. Replace spark plug. 7. Drain fuel tank; fill with fresh fuel. 8. Contact local service facility.
Engine shuts down during operation.	<ol style="list-style-type: none"> 1. Out of fuel. 	<ol style="list-style-type: none"> 1. Fill fuel tank.
Engine lacks power.	<ol style="list-style-type: none"> 1. Dirty air filter. 	<ol style="list-style-type: none"> 1. Replace air filter.



Manual del Propietario

Hidrolavadora



Contenido

Introducción	1	Mantenimiento	15
Reglas de Seguridad	1	Recomendaciones de mantenimiento	15
Símbolos de seguridad y su significado	2	Calendario de mantenimiento	15
Información general	4	Control de emisiones	15
Conozca su hidrolavadora	4	Mantenimiento de la hidrolavadora	15
Información sobre emisiones	5	Verifique el estado y limpie el filtro de la toma	15
Desembalaje	5	Verifique el estado de las mangueras de alta presión	15
Ensamble	5	Verifique el estado del tubo de descarga de detergente	15
Ensamble	5	Verifique el estado de la pistola rociadora.....	16
Agregue aceite para motor	6	Mantenimiento de la boquilla	16
Compruebe el aceite de la bomba	6	Mantenimiento del aceite de la bomba.....	16
Agregue el combustible.....	7	Mantenimiento del motor.....	17
Conecte la manguera y el suministro de agua a la bomba	7	Recomendaciones sobre el aceite del motor.....	17
Cómo usar las boquillas.....	9	Servicio del filtro de aire.....	18
Operación	12	Servicio a la bujía	19
Operación	12	Inspección del silenciador y del supresor de chispas	19
Ubicación de la hidrolavadora	12	Luego de cada uso	20
Lista de verificación antes de arrancar el motor.....	12	Almacenamiento en invierno	20
Cómo arrancar su hidrolavadora	12	Almacenamiento a largo plazo.....	20
Sistema de enfriamiento automático (alivio térmico).....	14	Otras condiciones de almacenamiento	21
Valor de Presión ajustable	14	Transporte e inclinación de la unidad	21
Cómo detener su hidrolavadora.....	14	Localización y corrección de fallas	22
		Guía de localización y corrección de fallas	22

ADVERTENCIA

Proposición 65 de California. El escape del motor y algunos de sus componentes son conocidos por el estado de California como causantes de cáncer, defectos congénitos y otros daños reproductivos.

(000004)

ADVERTENCIA

Proposición 65 de California. Este producto contiene o emite sustancias químicas que son conocidas por el estado de California como causantes de cáncer, defectos congénitos y otros daños reproductivos.

(000005)

INTRODUCCIÓN

Muchas gracias por haber comprado un producto de Generac Power Systems Inc. Esta unidad ha sido diseñada para proporcionar alto rendimiento, funcionamiento eficiente, y años de uso cuando se mantiene apropiadamente.

Lea completamente este manual y comprenda todas las instrucciones, medidas de precaución y advertencias antes de usar este equipo. Si no se comprende alguna parte de este manual, póngase en contacto con el concesionario autorizado más cercano o comuníquese con Servicio al cliente de Generac al 1-888-436-3722, o con www.generac.com para todas las preguntas o inquietudes.

El propietario es responsable del mantenimiento apropiado y del uso seguro del equipo. Antes de operar, efectuar servicio o almacenar esta hidrolavadora:

- Estudie minuciosamente todas las advertencias indicadas en este manual y en el producto.
- Familiarícese con este manual y la unidad antes del uso.
- Consulte la sección Armado del manual para las instrucciones sobre los procedimientos de armado finales. Siga las instrucciones completamente.

Guarde estas instrucciones para referencia en el futuro. SIEMPRE suministre este manual a la persona que usará la máquina.

LA INFORMACIÓN QUE FIGURA AQUÍ SE BASÓ EN MÁQUINAS QUE ESTABAN EN PRODUCCIÓN EN EL MOMENTO DE PUBLICACIÓN. GENERAC SE RESERVA EL DERECHO DE MODIFICAR ESTE MANUAL EN CUALQUIER MOMENTO.

DÓNDE NOS ENCUENTRAN

Puede comunicarse con el Servicio al Cliente de Generac al 1-888-436-3722, o en Internet en www.generac.com. Registre la información importante de la unidad en el siguiente cuadro para futuras referencias y/o solicitudes de servicio.

Número de modelo	
Número de serie	
Fecha de compra	

REGLAS DE SEGURIDAD

En toda esta publicación, en los rótulos y en las etiquetas adhesivas fijadas en la hidrolavadora, los bloques de PELIGRO, ADVERTENCIA, PRECAUCIÓN y NOTA se usan para alertar al personal sobre instrucciones especiales acerca de una operación en particular que puede ser peligrosa si se efectúa de manera incorrecta o imprudente. Obsérvelos cuidadosamente. Sus definiciones son las siguientes:

PELIGRO

Indica una situación peligrosa que, si no se evita, ocasionará la muerte o lesiones graves.

(000001)

ADVERTENCIA

Indica una situación peligrosa que, si no se evita, podría ocasionar la muerte o lesiones graves.

(000002)

PRECAUCIÓN

Indica una situación riesgosa que, si no se evita, puede producir lesiones leves o moderadas.

(000003)

NOTA:

Las notas contienen información adicional importante para un procedimiento y se encuentran dentro del texto del cuerpo de este manual.

Estas advertencias de seguridad no pueden eliminar los peligros que indican. El sentido común y el cumplimiento estricto de las instrucciones especiales mientras se desarrolla la acción o el servicio son esenciales para la prevención de accidentes.

Reglas de seguridad

SÍMBOLOS DE SEGURIDAD Y SUS SIGNIFICADOS



⚠ PELIGRO

Asfixia. Los motores funcionando producen monóxido de carbono, un gas incoloro, inodoro, y venenoso. El monóxido de carbono, si no se evita, ocasionará la muerte o lesiones graves.

(000103)



⚠ PELIGRO

Electrocución. Si no se evita el contacto del agua con una fuente de alimentación, ocasionará la muerte o lesiones graves.

(000104)



⚠ PELIGRO

Inyección de fluido. Esta máquina produce chorros de fluido a alta presión que pueden penetrar en la piel. La inyección de fluido puede ocasionar la muerte o lesiones graves.

(000106)



⚠ PELIGRO

Explosión e incendio. El combustible y los vapores son extremadamente inflamables y explosivos. Añada combustible en una zona bien ventilada. Mantenga alejados el fuego y las chispas. No hacerlo puede ocasionar la muerte o lesiones graves.

(000105)



⚠ ADVERTENCIA

Riesgo de incendio. Las superficies calientes pueden encender combustibles, produciendo un incendio. El incendio puede ocasionar la muerte o lesiones graves.

(000110)



⚠ ADVERTENCIA

Pérdida de visión. Se requiere el uso de gafas de seguridad al usar esta máquina. No usar gafas de seguridad puede ocasionar pérdida de visión permanente.

(000101)



⚠ ADVERTENCIA

Pérdida auditiva. Recomendamos protectores de oído al usar esta máquina. No usar protectores de oído puede ocasionar pérdida auditiva permanente.

(000107)



⚠ ADVERTENCIA

Superficies calientes. Al usar la máquina, no toque las superficies calientes. Mantenga la máquina alejada de los combustibles durante el uso. Las superficies calientes pueden ocasionar quemaduras graves o incendio.

(000108)



⚠ ADVERTENCIA

Riesgo de incendio. Verifique que la máquina se haya enfriado apropiadamente antes de instalar una cubierta y almacenar la máquina. Las superficies calientes pueden ocasionar un incendio.

(000109)



⚠ ADVERTENCIA

Piezas en movimiento. Mantenga la ropa, cabello, y extremidades alejados de las piezas en movimiento. No hacerlo puede ocasionar la muerte o lesiones graves.

(000111)



⚠ ADVERTENCIA

Riesgo de caídas. El uso de la máquina crea zonas mojadas y riesgos de resaca. Esté atento a las condiciones de la zona de trabajo. Una caída puede ocasionar la muerte o lesiones graves.

(000112)



⚠ ADVERTENCIA

Riesgo de caídas. No use esta máquina o cualquiera de sus componentes en superficies elevadas. Hacerlo puede ocasionar una caída, lesiones graves o la muerte.

(000114)



⚠ ADVERTENCIA

Riesgo de la cuerda de arranque. La cuerda de arranque se puede retraer inesperadamente si la presión de agua no se alivió de la bomba apropiadamente, creando un contragolpe. El contragolpe puede ocasionar la muerte o lesiones graves.

(000113)



⚠ ADVERTENCIA

Consulte el manual. Lea y comprenda el manual completamente antes de usar la máquina. No comprender el manual completamente puede ocasionar la muerte o lesiones graves.

(000100)



⚠ ADVERTENCIA

Piezas en movimiento. No use alhajas cuando ponga en marcha o trabaje con este producto. Usar alhajas al poner en marcha o trabajar con este producto puede ocasionar la muerte o lesiones graves.

(000115)

⚠ ADVERTENCIA

No apunte la pistola de pulverización a personas, animales, dispositivos eléctricos, o artículos frágiles. Manténgala fuera del alcance de los niños. Puede ocasionar lesiones graves o la muerte.

(000117)

NOTA:

La pulverización de alta presión puede dañar los artículos frágiles, incluso el cristal.

- NO apunte la pistola de pulverización a cristales cuando use la boquilla roja (0°) MÁX.
- NUNCA apunte la pistola de pulverización a personas, animales, dispositivos eléctricos o plantas.

NOTA:

El tratamiento incorrecto de la hidrolavadora puede dañarla y acortar su vida útil.

- Si tiene preguntas acerca del uso previsto, pregunte a su concesionario o comuníquese con un centro de servicio calificado.
- NUNCA haga funcionar esta máquina con piezas rotas o faltantes o sin la carcasa o cubiertas protectoras.
- NO pase por alto ningún dispositivo de seguridad de esta máquina.
- NO haga funcionar la hidrolavadora por arriba de la presión nominal.
- NO modifique la hidrolavadora de ninguna manera.
- Antes de dar arranque a la hidrolavadora en clima frío, compruebe todas las piezas del equipo para asegurar que no se haya formado hielo allí.
- NUNCA mueva la máquina tirando de las mangueras. Use el asa provista con la unidad.
- Compruebe el sistema de combustible en busca de fugas o señales de deterioro como mangueras con rozaduras o esponjosas, abrazaderas flojas o faltantes, o tanque o tapa dañados. Corrija todos los defectos antes de hacer funcionar a la hidrolavadora.
- Este equipo está diseñado para ser usado SOLO con piezas autorizadas por Generac. Si el equipo se usa con piezas que NO cumplan las especificaciones mínimas, el usuario asume todos los riesgos y responsabilidades.

CONOZCA SU HIDROLAVADORA

Lea este manual del propietario y las reglas de seguridad antes de operar su hidrolavadora de alta potencia.

Si presta este dispositivo a alguien, SIEMPRE entregue también a la persona TODOS los documentos instructivos. Compare las ilustraciones con su lavadora a alta potencia para familiarizarse con la ubicación de los variados controles (Figura 1). Conserve este manual para futuras referencias. En el sitio web de Generac se pueden imprimir manuales del propietario de remplazo.

- A - Pistola rociadora** – Controla la aplicación de agua sobre la superficie a limpiar mediante un dispositivo con gatillo. El gatillo incluye un seguro.
- B - Lanza con conector rápido** – Permite cambiar entre cuatro diferentes boquillas.
- C - Manguera de alta presión** – Conecta un extremo con la bomba de agua y el otro a la pistola rociadora.
- D - Arrancador de retroceso** – Se utiliza para arrancar el motor.
- E - Llenado de aceite** – Verifique y agregue aceite de motor aquí.
- F - Filtro de aire** – Protege el motor al filtrar polvo y suciedad de la toma de aire.
- G - Bomba** – Desarrolla la alta presión.
- H - Válvula de alivio térmico** – Hace circular agua a través de la bomba cuando el agua alcanza los 125°F. El agua tibia se descargará de la bomba al suelo. Esto impide daños internos a la bomba.
- I - Interruptor de encendido/apagado del motor** – Ponga este interruptor en la posición "ON" antes de usar el arrancador de retroceso. Para detener el motor, ponga el interruptor en posición "OFF".
- J - Válvula de control de presión/descarga** – Controla la presión alta de salida.

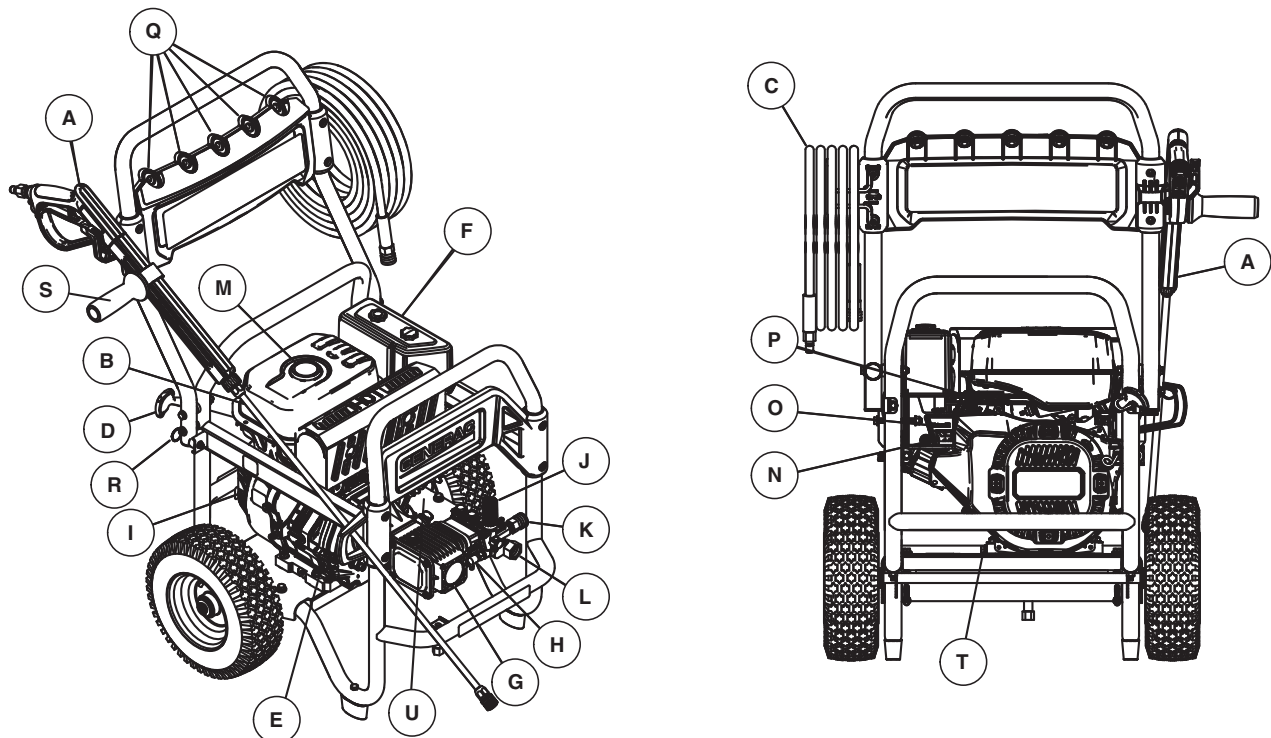
- K - Salida de alta presión** – Conexión para la manguera de alta presión.
- L - Toma de agua** – Conexión para la manguera de jardín.
- M - Tanque de combustible** – Llene el tanque con combustible regular sin plomo. Siempre deje espacio para la dilatación del combustible.
- N - Interruptor de combustible encendido/apagado** – Enciende y apaga el suministro de combustible al motor.
- O - Estrangulador** – Prepara al motor frío para el arranque.
- P - Palanca de admisión de gases** – Aumenta o disminuye la velocidad del motor. El regulador de gases debe estar en su recorrido máximo cuando la hidrolavadora está en uso.
- Q - Boquillas** – Inyección química, 0°, 15°, 25°, 40° blanco, amarillo, rojo y negro) para variadas aplicaciones de limpieza a alta presión.
- R - Horquilla de tiro** – Tira del anillo para desbloquear la manija. Esto permite que la majina se colapse para su almacenamiento.
- S - Manija lateral ajustable** – Se ajusta girando hacia la izquierda para aflojar, se ajusta a una posición cómoda y se aprieta girando hacia la derecha. Esto permite una sujeción firme para la operación de la pistola rociadora.
- T - Drenaje de aceite** – Drena el aceite del motor aquí.
- U - Ubicación del número de serie**

ARTÍCULOS QUE NO SE MUESTRAN

Etiqueta de identificación (cerca de la parte posterior de la placa base) – Indica el modelo y número de serie de la hidrolavadora. Téngalos a mano si llama para solicitar asistencia.

Tubo/filtro de descarga de detergente – Se usa para enviar el detergente de la hidrolavadora a la corriente de baja presión.

Figure 1 – Features & Controls



INFORMACIÓN SOBRE EMISIONES

La Agencia de Protección Ambiental de los EE. UU. (EPA) (y la Junta de Recursos del Aire de California [CARB] para los equipos certificados conforme a las normas de California) requieren que este motor cumpla las normas de emisiones de escape y evaporación. Localice la etiqueta adhesiva sobre cumplimiento de las normas referidas a emisiones colocada sobre el motor para determinar qué normas satisface el generador, y para determinar qué garantía de emisiones corresponde. El motor está certificado para satisfacer las normas de emisiones correspondientes a las gasolinas. Es importante seguir las especificaciones de mantenimiento indicadas en la sección Mantenimiento para asegurar que el producto cumpla con las normas de emisiones aplicables durante toda su vida útil. Este motor usa ajustes de carburación empobrecida y otros sistemas para reducir las emisiones. La manipulación indebida o la alteración del sistema de control de emisiones pueden aumentar las emisiones y constituye una infracción de la ley federal o la de California. Las acciones que constituyen manipulación indebida incluyen, entre otras:

- Retiro o alteración de cualquier parte de los sistemas de admisión, combustible o escape.
- Alteración o anulación del varillaje del regulador o el mecanismo de ajuste de velocidad a fin de que el motor funcione fuera de sus parámetros de diseño

Si observa alguno de los siguientes síntomas, pida al concesionario de servicio que inspeccione o repare su motor:

- Dificultad para arrancar o calada después del arranque
- Ralentí irregular
- Fallo de encendido o contraexplosiones bajo carga
- Postcombustión (contraexplosiones)
- Humo de escape negro o alto consumo de combustible

DESEMBALAJE

1. Retire las bolsas de las partes, accesorios e insertos que se incluyen con la hidrolavadora.
2. Abra la caja de cartón cortando las esquinas de arriba a abajo.
3. Asegúrese de que están todos los artículos que se incluyen antes del ensamble.
 - Unidad principal
 - Manguera de alta presión
 - Manguera de succión y filtro
 - Pistola pulverizadora
 - Lanza con junta de conexión rápida
 - Botella de aceite
 - Bolsa de partes (que incluye lo siguiente):
 - Gancho para manguera con tornillos y llave Allen
 - Manual del Propietario
 - Tarjeta de registro del propietario
 - Bolsa conteniendo boquillas codificadas por color
 - Pantalla de filtro
4. Si faltara algún artículo de su caja, contacte al Servicio al Cliente de Generac al 1-888-436-3722. Cuando llame para solicitar asistencia, tenga a mano los números de modelo y de serie que se encuentran en la etiqueta de datos.
5. Complete y envíe la tarjeta de registro. Escriba el número de modelo, número de serie y fecha de compra en la tabla que aparece en la sección "Dónde nos encuentran".

ENSAMBLE



⚠ ADVERTENCIA

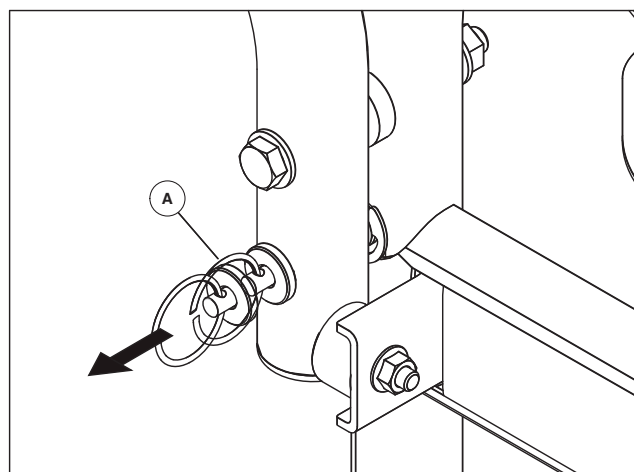
Consulte el manual. Lea y comprenda el manual completamente antes de usar la máquina. No comprender el manual completamente puede ocasionar la muerte o lesiones graves.

(000100)

Lea todo el manual del usuario antes de realizar el ensamble o si tiene problemas con el ensamble de su hidrolavadora, contacte al Servicio al Cliente de Generac al 1-888-436-3722. Cuando llame para solicitar asistencia, tenga a mano los números de modelo y de serie que se encuentran en la etiqueta de datos.

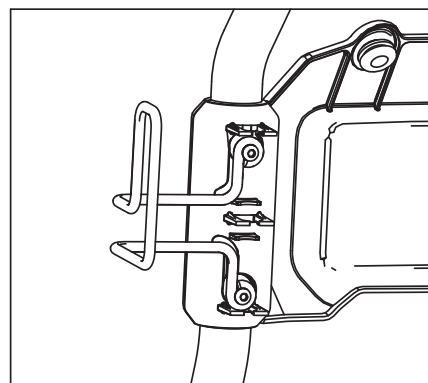
1. La manija puede ser doblada o bloqueada en posición usando la horquilla de tiro integrada.

Figura 2 – Enganchar la agarradera



2. Instale el gancho para manguera usando los tornillos y la llave allen provistos (Figura 3).

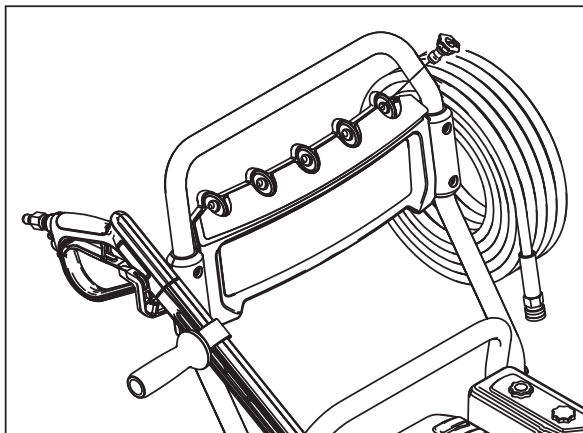
Figura 3 – Instalar el gancho para la manguera



Ensamble

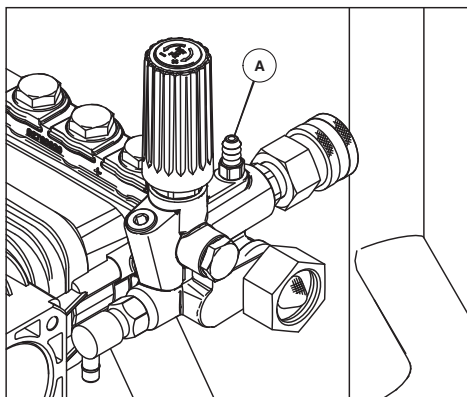
3. Inserte las boquillas codificadas con colores en los espacios dispuestos para ello en la agarradera (Figura 4).
4. Coloque la pistola rociadora y la boquilla de extensión en el soporte para la pistola como se muestra (Figura 4).

Figura 4 – Inserte las boquillas



5. Enrolle la manguera de lata presión y cuélguela en el gancho.
6. Sujete el tubo de succión en el punto A (Figura 5).

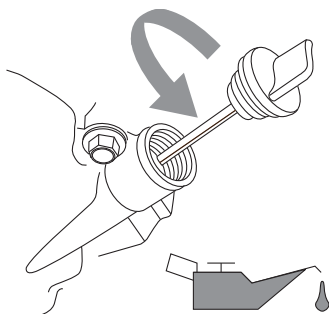
Figure 5 – Ubicación del tubo de succión



AGREGUE ACEITE PARA MOTOR

1. Coloque la hidrolavadora en una superficie lisa.
2. Limpie el área alrededor del área de llenado de aceite y retire la tapa anaranjada/varilla (Figura 6).

Figura 6 – Llenado de aceite



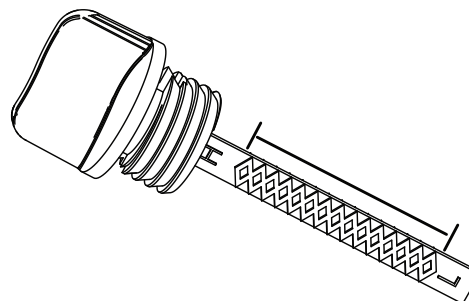
3. Con un embudo para aceite (opcional) vierta lentamente aceite en la abertura de llenado de aceite. Vea la sección Mantenimiento para la recomendación sobre el tipo de aceite.

NOTA:

En algunas unidades hay más de un punto para llenado de aceite. En estos casos, sólo es necesario usar uno de los puntos para llenado de aceite.

4. Compruebe periódicamente hasta que el nivel de aceite esté entre "L" y "H" en la varilla de medición (Figura 7). **NO LLENE EN EXCESO.**

Figura 7 - Varilla de medición



000116

NOTA:

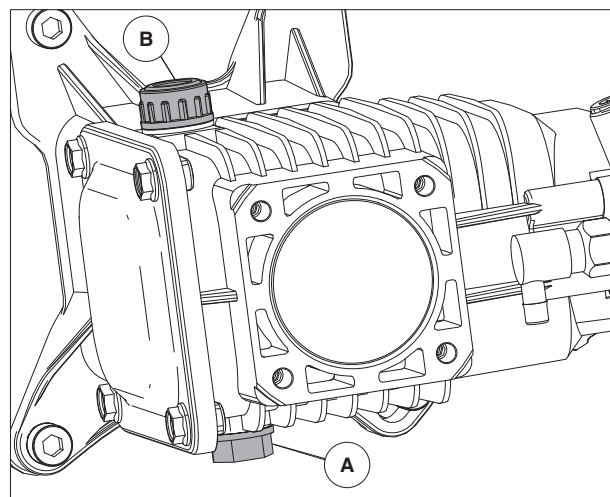
Cualquier intento de arrancar el motor antes de que se le haya dado servicio apropiado con el aceite recomendado puede traer como resultado una falla del motor.

5. Reemplace la tapa/varilla de la boca para llenado de aceite y apretar.

COMPRUEBE EL ACEITE DE LA BOMBA

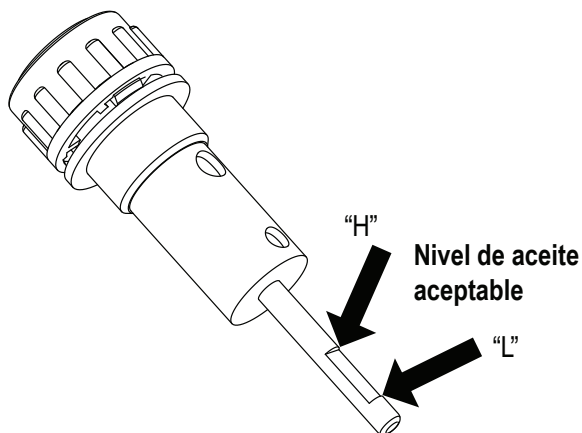
1. Coloque la hidrolavadora en una superficie lisa.
2. Limpie el área alrededor del área de llenado de aceite y retire la tapa del respiradero/varilla de aceite. (B) (Figura 8).

Figura 8 – Compruebe el aceite de la bomba



3. Compruebe para confirmar que el nivel de aceite esté entre "L" y "H" en la varilla de medición (Figura 9). Si se requiere aceite, vea la sección Mantenimiento **No llene en exceso**.
4. Ver la sección Mantenimiento para información adicional sobre el mantenimiento del aceite de la bomba.
5. Instale la varilla de medición de aceite hasta que quede apretada con el dedo.
6. Recoja y limpie el aceite que pueda haberse derramado.

Figura 9 - Varilla de medición del aceite de la bomba



- Si se derraman combustible, espere hasta que se evapore antes de arrancar el motor.
- Mantenga el combustible alejado de chispas, llamas, luces piloto, calor y otras fuentes de ignición.
- NO encienda un cigarrillo ni fume.

1. Limpie el área alrededor del tapón de combustible, retire el tapón.
2. Agregue combustible regular sin plomo en el tanque de combustible lentamente. Tenga cuidado de no sobrellenarlo. Llène hasta la parte inferior del filtro, esto permitirá la expansión del combustible (Figura 10).
3. Coloque el tapón de combustible y deje que se evapore el combustible derramado antes de arrancar el motor.

Figura 10 – Agregado de combustible



000117

AGREGUE EL COMBUSTIBLE

El combustible debe cumplir con los siguientes requisitos:

- Gasolina limpia, fresca y sin plomo.
- Un octanaje mínimo de 87/87 AKI (RON 91).
- Es aceptable la gasolina con hasta un 10% de etanol.

NOTA:

Evite daños a la hidrolavadora. No seguir las recomendaciones acerca del combustible que aparecen en el Manual del Propietario anulará la garantía.

- NO use gasolina no aprobada, como la E85.
- NO mezcle aceite en la gasolina.
- NO modifique el motor para que funcione con combustibles alternativos.

Para proteger al sistema de combustible de la gelificación, mezcle un estabilizante al agregar el combustible. Vea Almacenamiento. No todos los combustibles son iguales. Si tiene problemas con el arranque o de desempeño luego de usar un combustible, cambie a un proveedor o marca diferente.



PELIGRO

Explosión e incendio. El combustible y los vapores son extremadamente inflamables y explosivos. Añada combustible en una zona bien ventilada. Mantenga alejados el fuego y las chispas. No hacerlo puede ocasionar la muerte o lesiones graves. (000105)

AL AGREGAR COMBUSTIBLE

- Apague la hidrolavadora y déjela enfriar al menos (2) minutos antes de retirar el tapón de combustible. Afloje el tapón lentamente para aliviar la presión en el tanque.
- Llène el tanque de combustible al aire libre.
- NO sobrellene el tanque. Deje espacio para la dilatación del combustible.

CONECTE LA MANGUERA Y EL SUMINISTRO DE AGUA A LA BOMBA

NOTA:

NO encienda la bomba si el suministro de agua no está conectado y encendido. Los daños a consecuencia del incumplimiento de estas instrucciones anulará la garantía

NOTA:

Retire y deseche la tapa de embarque de la entrada de agua de la bomba antes de conectar la manguera.

1. Deje correr agua por su manguera de jardín durante al menos 30 segundos para limpiar restos de suciedad.
2. Antes de conectar la manguera de jardín a la entrada de agua, inspeccione el filtro de entrada antes de la instalación (A) (Figura 11). El cono debe mirar hacia afuera. Limpie la pantalla si contiene suciedad, o reemplácela si está dañada. NO encienda la hidrolavadora si el filtro de toma está dañado.

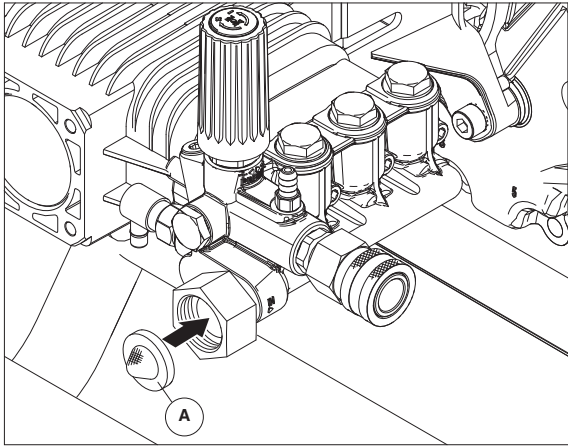
IMPORTANTE: NO succione agua estancada para suministrar agua. SÓLO use agua fría (menos de 100°F). El suministro de agua debe ser adecuado para manejar más de 3.8 galones por minuto y no menos de 30 psi.

NOTA:

El uso de una válvula de una vía (interruptor de vacío o válvula de retención) en la toma de la bomba puede causar daños en la bomba o en el conector de entrada.

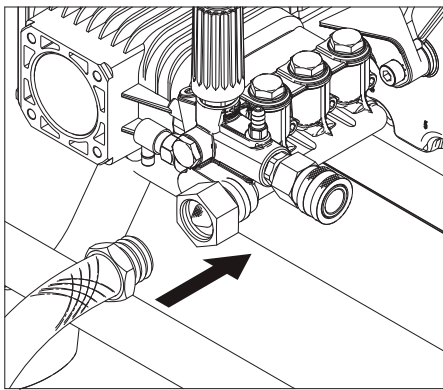
- DEBE haber al menos diez pies de manguera de jardín libre entre la toma de agua de la hidrolavadora y cualquier dispositivo, como un interruptor de vacío o válvula de retención.
- Los daños a consecuencia del incumplimiento de estas instrucciones anulará la garantía

Figura 11 – Inspeccione el filtro de la toma



3. Conectar la manguera de jardín (que no exceda los 50 pies de largo) a la toma de agua (Figura 12). Ajustela manualmente.

Figura 12 – Conectar la manguera de jardín



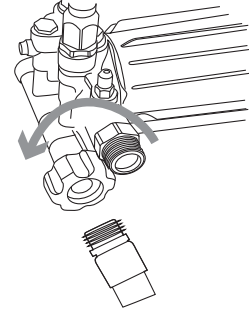
ADVERTENCIA

Pérdida de visión. Se requiere el uso de gafas de seguridad al usar esta máquina. No usar gafas de seguridad puede ocasionar pérdida de visión permanente.

(000101)

- Siempre use gafas de seguridad al usar este equipo o cerca de equipos en funcionamiento.
 - Antes de arrancar la hidrolavadora, asegúrese de estar usando las gafas de seguridad.
 - NUNCA sustituya gafas por gafas de seguridad.
4. Conecte la lanza a la pistola rociadora (Figura 13). Ajustela manualmente.

Figura 13 – Enganchar la lanza



000119

5. Enganche el extremo de la manguera de alta presión a la base de la pistola rociadora (Figura 14).



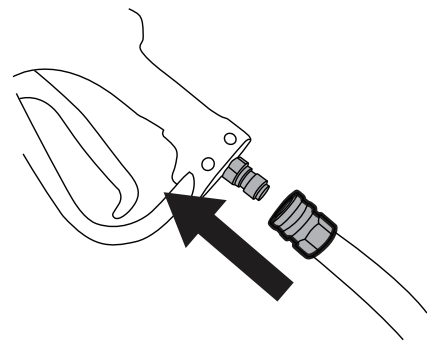
PELIGRO

Inyección de fluido. Esta máquina produce chorros de fluido a alta presión que pueden penetrar en la piel. La inyección de fluido puede ocasionar la muerte o lesiones graves.

(000106)

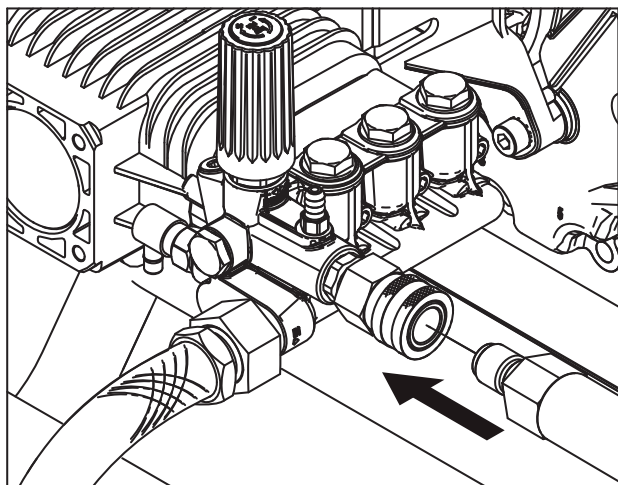
- NUNCA conecte la manguera de alta presión a la lanza.
- Mantenga la manguera de alta presión conectada a la bomba y a la pistola rociadora mientras el sistema se encuentra presurizado.
- Siempre debe asegurarse de que la pistola rociadora, las boquillas y demás accesorios están correctamente colocados.

Figura 14 – Conecte la manguera a la pistola rociadora



6. Conecte la manguera de alta presión a la bomba (desenrolle la manguera antes de conectarla a la bomba o a la pistola rociadora) (Figura 15).

Figura 15 – Conecte la manguera de alta presión a la bomba



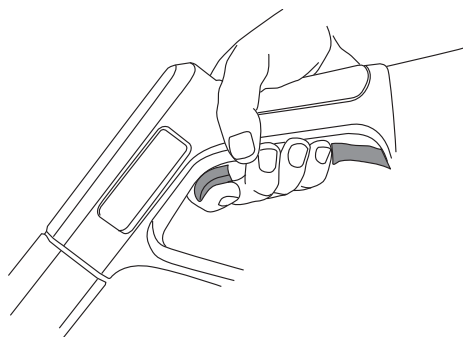
7. ENCIENDA el suministro de agua, aprete el gatillo para purgar el sistema de bombeo de aire (Figura 16).

PRECAUCIÓN

Daños al equipo. La manguera se puede dañar si entra en contacto con el silenciador de motor caliente. Mantenga la manguera alejada del silenciador durante el funcionamiento.

(000124)

Figura 16 – Apriete el gatillo



000123

CÓMO USAR LAS BOQUILLAS

La conexión rápida sobre la lanza de la boquilla le permite cambiar entre distintas boquillas. Se puede cambiar de boquilla mientras la hidrolavadora está funcionando, una vez se haya trabado el gatillo de la pistola rociadora en la posición segura. Las boquillas modifican la presión y el patrón de rociado como se muestra.

- Para una limpieza más efectiva, mantenga la boquilla de 8 a 24 pulgadas (20 a 61 cm) lejos de la superficie a ser limpiada.
- Si mantiene la boquilla muy cerca, especialmente si se trata de una boquilla de alta presión, puede dañar la superficie a limpiar.



PELIGRO

Inyección de fluido. Esta máquina produce chorros de fluido a alta presión que pueden penetrar en la piel. La inyección de fluido puede ocasionar la muerte o lesiones graves.

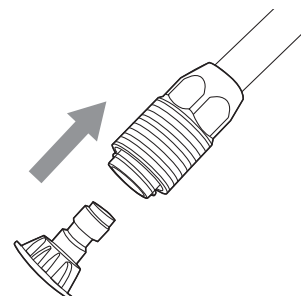
(000106)

- NUNCA intercambie boquillas sin que el gatillo esté bloqueado en la pistola rociadora.
- NO tuerza la boquilla mientras esté rociando.

Siga estas instrucciones para cambiar las boquillas:

1. Tire del anillo de conexión rápida y retire la boquilla. Almacene las boquillas en el soporte de almacenamiento de accesorios (Figura 17).

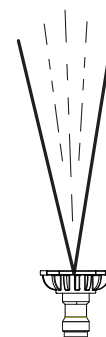
Figura 17 – Boquillas



000125

2. Seleccione la boquilla deseada:
 3. Tire del anillo, inserte la nueva boquilla y suelte el anillo. Tire de la boquilla para asegurarse de que está bien montada.
- Para enjuagues delicados (presión más baja y mayor flujo), limpieza de autos/camiones, botes, caravanas, muebles de patio, equipo para césped, etc., seleccione la BOQUILLA BLANCA. (Figura 18).

Figura 18 - Boquilla de presión para lavado (blanca)



- Para lavado general (de media presión y caudal medio), ideal para todo tipo de limpiezas, como fachadas, patios de ladrillo, cubiertas de madera, entradas, aceras, pisos de garaje, etc., seleccione la BOQUILLA VERDE. (Figura 19).

Figura 19 - Boquilla de presión para limpieza (verde)



- La boquilla amarilla es para enjuague medio (presión más alta y caudal medio), para quitar manchas en superficies duras porosas como caminos de acceso, pisos de garajes y patios de ladrillos en forma ideal seleccione la boquilla amarilla (Figura 20).

Figura 20 - Boquilla de presión para fajas (amarilla)



- Para enjuague profundo (presión más alta y flujo más bajo), para superficies rebeldes o de difícil acceso como superficies en segundo piso, remoción de pintura, manchas de aceite, eliminación de óxido u otras sustancias difíciles (alquitrán, resina, grasa, cera, etc.), seleccione la BOQUILLA ROJA. (Figura 21).

PRECAUCIÓN

Esta boquilla puede dañar las superficies de trabajo si está muy cerca, o se mantiene en una posición un período prolongado.

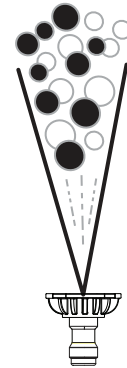
(000125)

Figura 21 - Boquilla de presión de chorro fuerte (roja)



- Use la BOQUILLA NEGRA cuando aplique detergente (Figura 22). Sólo use detergentes/jabones seguros para la hidrolavadora, para ayudar con la eliminación de suciedad y mugre de una variedad de superficies.

Figura 22 – Boquilla de detergente (negra)



LIMPIEZA Y APLICACIÓN DE DETERGENTE

ADVERTENCIA

Las sustancias químicas pueden causar lesiones corporales y/o daños a la propiedad.

(000126)

- NUNCA use líquido cáustico con la hidrolavadora.
- SÓLO use detergentes/jabones seguros para hidrolavadora. Siga todas las instrucciones de los fabricantes.

Para aplicar detergente, siga estos pasos:

1. Lea nuevamente cómo usar apropiadamente las boquillas.
2. Prepare la solución de detergente según lo requiera el trabajo dentro de un recipiente ubicado en la proximidad del tubo de succión.
3. Asegúrese de que el tubo de descarga esté completamente sumergido en el detergente.

NOTA:

Asegúrese de que filtro permanece completamente sumergido en el detergente durante su aplicación.

NOTA:

El contacto con el silenciador caliente puede dañar el tubo de descarga de detergente.

4. Al colocar el tubo en la botella de la solución de detergente, dirija el tubo de manera que no toque el silenciador caliente.
5. Asegúrese de que la boquilla negra de detergente se encuentra instalada.

NOTA:

El detergente no se puede aplicar con las boquillas de alta presión (amarilla, blanca, verde o roja). Sólo debe usar la boquilla negra con el detergente.

6. Asegúrese de seguir todas las instrucciones.

NOTA:

Debe colocar todas las mangueras antes de arrancar el motor.

- Encender el motor sin que estén todas las boquillas conectadas y sin el suministro de agua encendido puede dañar la bomba.

- Los daños al equipo a consecuencia del incumplimiento de estas instrucciones anulará la garantía.
7. Encienda el motor siguiendo las instrucciones Cómo arrancar su hidrolavadora.
 8. Aplique el detergente sobre la superficie seca, comenzando en la parte inferior de la misma y dirigiéndose hacia arriba utilizando movimientos largos, parejos y superpuestos.
 9. Permita que el detergente "penetre" de 3 a 5 minutos antes de lavar y enjuagar. Aplique nuevamente según sea necesario para impedir que la superficie se seque. NO permita que el detergente se seque sobre la superficie a limpiar (podría quedar con manchas).

IMPORTANTE: Usted deberá lavar el sistema de inyección de detergente después de cada uso colocando el filtro en un balde de agua limpia y haciendo funcionar la hidrolavadora a baja presión durante 1-2 minutos.

ENJUAGUE DE LA HIDROLAVADORA

1. Retire la boquilla de detergente negra de la lanza.
2. Elija e instale la boquilla de alta presión deseada siguiendo las instrucciones en Cómo usar las boquillas
3. Dirija la pistola rociadora en una dirección segura y lejos de personas, animales y plantas. Apriete el gatillo para que se elimine cualquier resto de producto químico del sistema.
4. Mantenga la pistola rociadora a una distancia segura de la superficie que desea pulverizar.



⚠ ADVERTENCIA

Riesgo de caídas. El uso de la máquina crea zonas mojadas y riesgos de disparo. Esté atento a las condiciones de la zona de trabajo. Una caída puede ocasionar la muerte o lesiones graves.

(000112)



⚠ ADVERTENCIA

Riesgo de caídas. No use esta máquina o cualquiera de sus componentes en superficies elevadas. Hacerlo puede ocasionar una caída, lesiones graves o la muerte.

(000114)



⚠ ADVERTENCIA

Riesgo de la cuerda de arranque. La cuerda de arranque se puede retraer inesperadamente si la presión de agua no se alivió de la bomba apropiadamente, creando un contragolpe. El contragolpe puede ocasionar la muerte o lesiones graves.

(000113)

- Utilizar únicamente sobre una superficie plana.
 - No utilizar sobre superficies elevadas para prevenir el riesgo de una caída seria.
5. Aplique un rociado de alta presión en un área pequeña, después revise si la superficie sufrió daños. Si no hay daños, puede asumir que es seguro continuar con el lavado.
 6. Comience por la parte superior de la superficie que va a enjuagar, dirigiéndose hacia abajo con los mismos movimientos superpuestos que utilizó para la limpieza.

LIMPIEZA DEL TUBO DE DESCARGA DE DETERGENTE

Si usó el tubo de descarga de detergente, debe lavarlo con agua limpia antes de parar el motor.

1. Coloque el tubo de descarga de detergente/filtro en un balde con agua limpia.
2. Quite la boquilla de alta presión de la extensión para boquilla.
3. Elija e instale la boquilla negra de alta presión siguiendo las instrucciones en Cómo usar las boquillas.
4. Enjuague durante 1 a 2 minutos.
5. Apague el motor siguiendo las instrucciones Cómo detener la hidrolavadora y corte del suministro de agua.
6. SIEMPRE dirija la pistola rociadora en una dirección segura, apriete el gatillo para descargar el agua a alta presión. Trabe el seguro del gatillo cuando no esté en uso.

IMPORTANTE: La pistola rociadora contiene agua a alta presión, incluso con el motor parado y el agua desconectada.



⚠ PELIGRO

Inyección de fluido. Esta máquina produce chorros de fluido a alta presión que pueden penetrar en la piel. La inyección de fluido puede ocasionar la muerte o lesiones graves.

(000106)

- Mantenga la manguera de alta presión conectada a la bomba y a la pistola rociadora mientras el sistema se encuentra presurizado.
- SIEMPRE dirija la pistola rociadora en una dirección segura y apriete el gatillo para descargar la presión, cada vez que pare el motor. Trabe el seguro del gatillo cuando no esté en uso.

OPERACIÓN

Si tiene problemas durante la operación de su hidrolavadora, llame al Servicio de Atención al Cliente de Generac al 1-888-436-3722.

UBICACIÓN DE LA HIDROLAVADORA

Espacios libres y movimiento de aire



PELIGRO

Asfisia. Los motores funcionando producen monóxido de carbono, un gas incoloro, inodoro, y venenoso. El monóxido de carbono, si no se evita, ocasionará la muerte o lesiones graves.

(000103)

NOTA:

Para obtener más información, consulte las precauciones acerca del monóxido de carbono en la sección Reglas de Seguridad.

Coloque la hidrolavadora al aire libre, en una zona en la que no se acumulen los gases de escape tóxicos. NUNCA coloque la hidrolavadora en un lugar en que los gases de escape se puedan acumular o entrar en un edificio que pueda estar ocupado. Asegúrese de que los gases de escape se mantienen lejos de ventanas, puertas, tomas de aire de ventilación u otras aberturas que puede permitir que los gases de escape se acumulen en un espacio cerrado. Los vientos y las corrientes de aire se deben tomar en cuenta en la posición de la hidrolavadora (Figura 23).

- Operar la hidrolavadora SÓLO al aire libre.
- Evite que los gases de escape entren a un área cerrada a través de ventanas, puertas, tomas de ventilación u otras aberturas.
- NUNCA arranque o haga funcionar el motor en interiores, en un vehículo o en una zona cerrada, aún si las ventanas y puertas están abiertas.

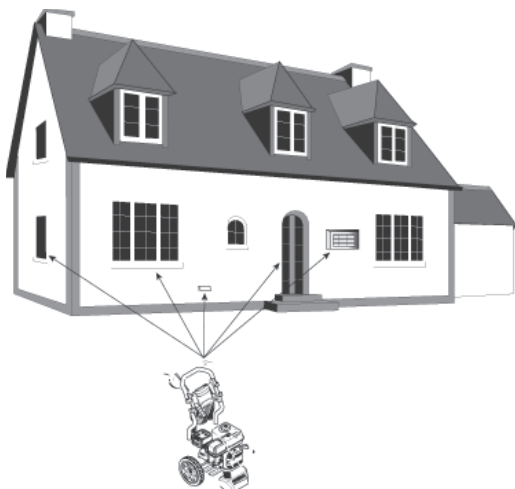
ADVERTENCIA



El calor/gases de escape puede encender combustibles, estructuras o dañar el tanque de combustible, causando un incendio.

- Mantenga al menos 5 pies. (152 cm) de espacio libre en todos los lados de la hidrolavadora, incluida la parte superior.

Figura 23 - Espacios libres



000126

LISTA DE VERIFICACIÓN ANTES DE ARRANCAR EL MOTOR

1. Asegúrese de leer y comprender la sección Seguridad del Propietario y la sección Operación antes de usar su hidrolavadora.
2. Revise que el aceite está en el nivel adecuado en el cárter del motor y que el combustible se ha agregado al tanque de combustible.
3. Revise el ensamble de la unidad y asegúrese de que las juntas se fijan correctamente. También asegúrese de que no existen dobleces, cortes o daños a la manguera de alta presión.
4. Proporcione el suministro de agua adecuado con el flujo adecuado, quite la suciedad de los filtros y verifique la purga del aire del sistema.
5. Asegúrese de que la unidad está segura a nivel del suelo y que el área de trabajo está despejada.

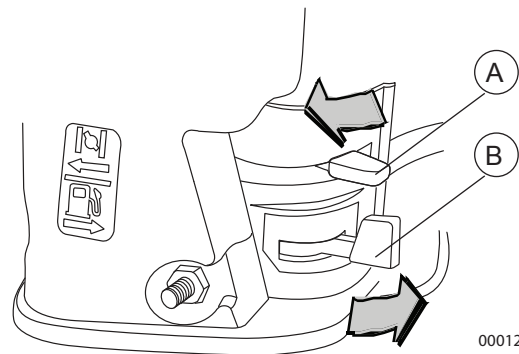
CÓMO ARRANCAR SU HIDROLAVADORA

NOTA:

NO encienda la bomba si el suministro de agua no está conectado y encendido. Los daños al equipo a consecuencia del incumplimiento de estas instrucciones anulará la garantía.

1. Mueva la palanca de la válvula de combustible (B) a ON (Figura 24).
2. Mueva la palanca del cebador (A) a CHOQUE (Cebado).

Figura 24 - Válvula de combustible



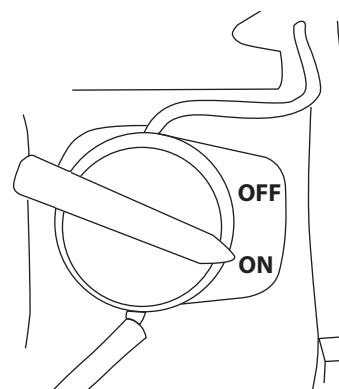
000127

NOTA:

Si el motor está caliente, asegúrese de que la palanca del obturador esté en la posición "ABIERTO".

3. Gire el interruptor del motor a la posición "ON" (Figura 25).

Figure 25 – Posición ON



000128



⚠️ ADVERTENCIA

Pérdida de visión. Se requiere el uso de gafas de seguridad al usar esta máquina. No usar gafas de seguridad puede ocasionar pérdida de visión permanente.

(000101)

- Siempre use gafas de seguridad al usar este equipo o cerca de equipos en funcionamiento.
 - Antes de arrancar la hidrolavadora, asegúrese de estar usando las gafas de seguridad.
 - NUNCA sustituya gafas por gafas de seguridad.
4. Alivie la presión de la pistola de pulverización.
 5. Coloque el pie en la base o asegure la unidad de otra manera para evitar que se mueva durante el retroceso.
 6. Al arrancar el motor, sostenga la palanca de arranque (Figura 26) y tire lentamente hasta que sienta cierta resistencia. Luego, tire rápidamente para arrancar el motor.



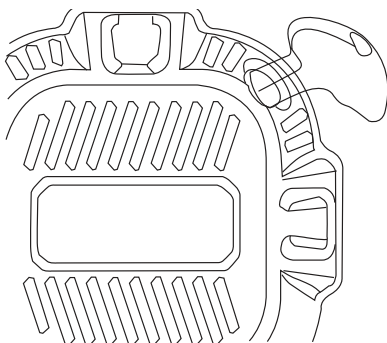
⚠️ ADVERTENCIA

Riesgo de la cuerda de arranque. La cuerda de arranque se puede retraer inesperadamente si la presión de agua no se alivió de la bomba apropiadamente, creando un contragolpe. El contragolpe puede ocasionar la muerte o lesiones graves.

(000113)

- NUNCA tire del cable de arranque sin antes liberar la presión de la pistola rociadora.
 - Cuando arranque el motor, tire lentamente del cable hasta sentir una resistencia y luego tire rápidamente para evitar su retroceso.
 - Después de cada intento de arranque en que el motor no encienda, dirija la pistola rociadora hacia una dirección segura y apriete el gatillo para liberar la presión alta.
 - Sujete firmemente la pistola rociadora con ambas manos cuando utilice el rociado a alta presión para evitar lesiones cuando la pistola retroceda.
7. Regrese la manija de arranque lentamente a su posición original. NO permita que la cuerda regrese bruscamente hacia del arrancador.

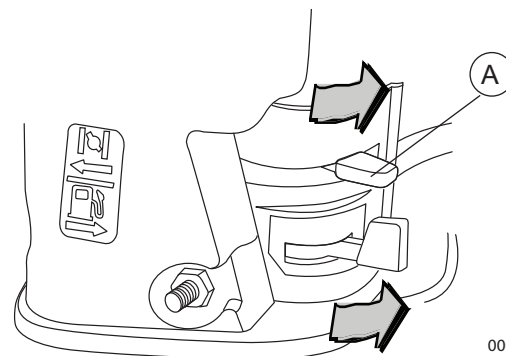
Figura 26 – Arranque del motor



000129

8. Cuando arranque el motor, mueva lentamente la palanca del obturador a la posición "ABIERTO" (A) a medida que el motor se calienta. Si el motor falla, mueva la palanca a la posición "CERRADO", y luego a la posición "ABIERTO" (Figura 27).

Figura 27 – Palanca del obturador



000127

9. Después de cada intento de arranque en que el motor no encienda, dirija la pistola rociadora hacia una dirección segura y apriete el gatillo para liberar la presión alta.
10. Si el motor no arranca después de seis intentos, mueva la palanca a la posición "ABIERTO" y repita los pasos 6 a 10.



⚠️ PELIGRO

Inyección de fluido. Esta máquina produce chorros de fluido a alta presión que pueden penetrar en la piel. La inyección de fluido puede ocasionar la muerte o lesiones graves.

(000106)

- NO permita que los NIÑOS operen la hidrolavadora o jueguen cerca de ella.
- Mantenga la manguera de alta presión conectada a la bomba y a la pistola rociadora mientras el sistema se encuentra presurizado.
- NUNCA apunte la pistola de rociado a personas, animales, dispositivos eléctricos o plantas. Puede resultar en lesiones graves.
- NO asegure la pistola rociadora en la posición abierta.
- NO abandone la pistola rociadora cuando la máquina está funcionando.
- NUNCA use una pistola rociadora que no tiene el seguro del gatillo o protección para gatillo en su lugar y en buenas condiciones.
- Siempre debe asegurarse de que la pistola rociadora, las boquillas y demás accesorios están correctamente colocados.



⚠️ ADVERTENCIA

Superficies calientes. Al usar la máquina, no toque las superficies calientes. Mantenga la máquina alejada de los combustibles durante el uso. Las superficies calientes pueden ocasionar quemaduras graves o incendio.

(000108)



⚠️ ADVERTENCIA

Riesgo de incendio. Las superficies calientes pueden encender combustibles, produciendo un incendio. El incendio puede ocasionar la muerte o lesiones graves.

(000110)

Operación

- NO toque las superficies calientes y evite los gases de escape.
- Deje que el equipo se enfríe antes de tocarlo.
- Deje al menos 5 pies (152 cm) de espacio libre hacia todos los lados, incluida la parte superior.
- Es una violación al Código de Recursos Públicos de California, Sección 4442, utilizar u operar el motor en cualquier área cubierta de bosques, matorrales o hierba, a menos que el sistema de escape esté equipado con un apagachispas, tal como se define en la Sección 4442, mantenido en buenas condiciones de operación. Otros estados o jurisdicciones federales pueden tener leyes similares.
- Los repuestos deben ser iguales y estar instaladas en la misma posición que las piezas originales.
- Mantenga la manguera de alta presión conectada a la bomba y a la pistola rociadora mientras el sistema se encuentra presurizado.
- SIEMPRE dirija la pistola rociadora en una dirección segura y apriete el gatillo para descargar la presión, cada vez que pare el motor. Trabe el seguro del gatillo cuando no esté en uso.

SISTEMA DE ENFRIAMIENTO AUTOMÁTICO (ALIVIO TÉRMICO)

Si enciende el motor de su hidrolavadora durante 3 a 5 minutos sin presionar el gatillo de la pistola rociadora, el agua que circula en la bomba puede alcanzar temperaturas superiores a 125°F. El sistema enfría la bomba **descargando agua caliente en el suelo.**

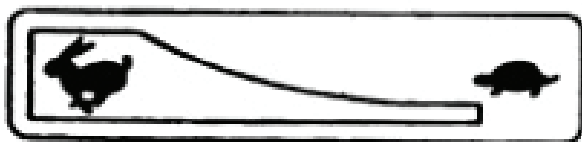
VALOR DE PRESIÓN AJUSTABLE

La bomba de su hidrolavadora está equipada con una característica que le permite ajustar el valor de la presión. La bomba se preajusta en la fábrica para lograr la más alta presión posible. Para disminuir la presión, gire la perilla del control de presión hacia la izquierda hasta la presión deseada. Al girar la perilla del control de presión hacia la izquierda hasta que se pare, ajustará de nuevo la presión al valor de fábrica.

CÓMO DETENER SU HIDROLAVADORA

1. Libere el gatillo de la pistola rociadora.
2. Lleve la palanca de control del obturador a la posición "BAJO" (tortuga) (Figura 28).

Figura 28 – Posición del obturador



Alto

Bajo

3. Ponga el interruptor de ON/OFF del motor en la posición "OFF".
4. SIEMPRE dirija la pistola rociadora en una dirección segura, apriete el gatillo para descargar el agua a alta presión. Trabe el seguro del gatillo cuando no esté en uso.
5. APAGUE el suministro de agua.

IMPORTANTE: La pistola rociadora contiene agua a alta presión, incluso con el motor parado y el agua desconectada.



▲ PELIGRO

Inyección de fluido. Esta máquina produce chorros de fluido a alta presión que pueden penetrar en la piel. La inyección de fluido puede ocasionar la muerte o lesiones graves.

(000106)

RECOMENDACIONES DE MANTENIMIENTO

El mantenimiento regular mejorará el desempeño y extenderá la vida útil de su hidrolavadora. Concurra a cualquier distribuidor calificado para realizar el servicio.

La garantía de la hidrolavadora no cubre los artículos que han sido sometidos a abuso o negligencia por parte del usuario. Para recibir el valor total de la garantía, el usuario deberá mantener la hidrolavadora como se indica en este manual, incluido el almacenamiento adecuado según se detalla en Almacenamiento en invierno y a largo plazo.

NOTA:

Si tiene preguntas acerca de cómo reemplazar componentes de su hidrolavadora, llame al 1-888-436-3722 para obtener asistencia.

Son necesarios algunos ajustes periódicos para mantener adecuadamente su hidrolavadora.

Todos los servicios y ajustes deberán hacerse al menos una vez por estación. Siga los requisitos en el cuadro Calendario de mantenimiento.

NOTA:

Una vez al año, usted deberá limpiar o reemplazar la bujía, limpiar o reemplazar el filtro de aire y comprobar que la pistola rociadora y el ensamble de extensión para boquillas no estén desgastados. Una bujía nueva y un filtro de aire limpio aseguran la mezcla adecuada de combustible y aire y ayudan a que su motor funcione mejor y dure más tiempo.

CALENDARIO DE MANTENIMIENTO

Siga los intervalos de horas o días, lo que suceda primero. Se requiere un servicio más frecuente si se operan en condiciones adversas.

Primeras 5 horas
Cambio de aceite del motor
Cada 8 horas o diariamente
Verificar/limpiar el filtro de toma*
Verificar el estado de la manguera de alta presión
Verificar el estado de la manguera/filtro de descarga de detergente
Verificar que no hay fugas en la pistola rociadora o en el ensamble
Limpieza de suciedad
Verificar el nivel de aceite en el motor
Verificar el nivel de aceite en la bomba
Cada 50 horas o en cada estación
Verificar/limpiar el filtro de aire**
Cambiar el aceite de la bomba**
Cambio de aceite del motor**
Inspección del silenciador y el supresor de chispas*
Cada 100 horas o en cada estación
Servicio a la bujía
* Limpiar si está obstruido. Reemplazar si está perforado o rasgado.
** Realizar el servicio más a menudo si se operan bajo condiciones de mucha suciedad o polvo.

CONTROL DE EMISIONES

El mantenimiento, la sustitución o reparación de los dispositivos y sistemas de control de emisiones pueden ser realizados por cualquier centro de reparación de motores o personalmente. Sin embargo, para obtener servicio de control de emisiones "sin cargo", el trabajo debe ser realizado por un distribuidor autorizado. Consulte la Garantía de emisiones.

MANTENIMIENTO DE LA HIDROLAVADORA

Limpieza de suciedad

Limpie la suciedad acumulada en el sistema de limpieza una vez al día o antes del uso. Mantenga los enlaces, resortes y controles limpios. Mantenga la zona alrededor y detrás del silenciador libre de suciedad de combustible. Revise las ranuras y aberturas del aire de enfriamiento de la hidrolavadora. Estas aberturas se deben mantener limpias y sin obstrucciones.

Las partes de la hidrolavadora se deben mantener limpias para reducir el riesgo de sobrecalentamiento e ignición de suciedad acumulada.

- Utilice un paño húmedo para limpiar las superficies exteriores.

NOTA:

El uso inadecuado de la hidrolavadora puede dañarla y acortar su vida útil.

- NO inserte objetos a través de las ranuras de enfriamiento de la unidad.
- Utilice un cepillo de cerdas suaves para retirar la suciedad endurecida, aceite, etc.
- Utilice una aspiradora para retirar la basura y la suciedad sueltas.

VERIFIQUE EL ESTADO Y LIMPIE EL FILTRO DE LA TOMA

Examine el filtro en la toma de agua de la bomba. Limpie el filtro si se encuentra obstruido, o reemplácelo si está dañado.

VERIFIQUE EL ESTADO DE LAS MANGUERAS DE ALTA PRESIÓN

Las mangueras de alta presión pueden desarrollar fugas por el desgaste, dobleces o mal uso. Inspeccione las mangueras antes de usarlas. Busque cortes, fugas, abrasiones, levantamiento de la cubierta, daño o movimiento de los acoplamientos. Si encuentra alguna de estas condiciones, reemplace la manguera de inmediato.



PELIGRO

Inyección de fluido. Esta máquina produce chorros de fluido a alta presión que pueden penetrar en la piel. La inyección de fluido puede ocasionar la muerte o lesiones graves.

(000106)

- NUNCA repare la manguera de alta presión. Reemplácela.
- El rango de la manguera de reemplazo DEBE cumplir o exceder el rango máximo de presión de la unidad.

VERIFIQUE EL ESTADO DEL TUBO DE DESCARGA DE DETERGENTE

Examine el filtro del tubo de detergente y límpielo si se encuentra obstruido. El tubo debe ajustarse bien en la junta. Examine el tubo en busca de fugas o rasgaduras. Reemplace el filtro o tubo si están dañados.

VERIFIQUE EL ESTADO DE LA PISTOLA ROCIADORA

Verifique que la conexión entre la pistola y la manguera es correcta. Presione el gatillo para probar si funciona correctamente; debe volver a su lugar cuando lo suelta. Reemplace la pistola de inmediato si no funciona correctamente.

MANTENIMIENTO DE LA BOQUILLA

Una sensación pulsante cuando aprieta el gatillo de la pistola puede ser causada por presión excesiva en la bomba. La principal causa de presión excesiva en la bomba es una boquilla obstruida o restringida por materiales extraños, como suciedad, etc. Para corregir el problema, limpie la boquilla inmediatamente siguiendo estas instrucciones:

1. Apague el motor y corte el suministro de agua.
2. SIEMPRE dirija la pistola rociadora en una dirección segura, apriete el gatillo para descargar el agua a alta presión.



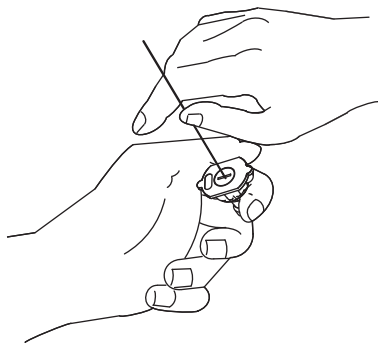
PELIGRO

Inyección de fluido. Esta máquina produce chorros de fluido a alta presión que pueden penetrar en la piel. La inyección de fluido puede ocasionar la muerte o lesiones graves.

(000106)

- Mantenga la manguera de alta presión conectada a la bomba y a la pistola rociadora mientras el sistema se encuentra presurizado.
- SIEMPRE dirija la pistola rociadora en una dirección segura y apriete el gatillo para descargar la presión, cada vez que pare el motor. Trabe el seguro del gatillo cuando no esté en uso.
3. Retire la boquilla de la extensión.
4. Use un pequeño sujeta papeles para retirar cualquier material extraño que esté tapando la boquilla (Figura 29).
5. Retire la lanza de la pistola rociadora.

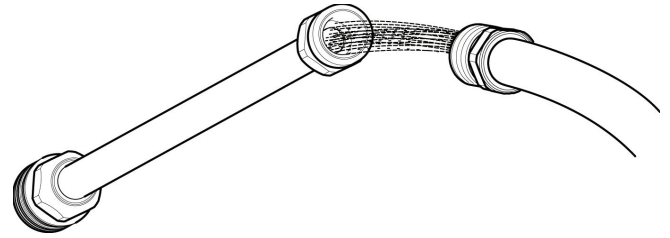
Figura 29 – Retire los materiales extraños



000109

6. Usando una manguera de jardín, retire la suciedad adicional enjuagando la lanza con agua a contracorriente (Figura 30) durante 30 a 60 segundos.

Figura 30 – Enjuague de la lanza



7. Instale de nuevo la boquilla en la lanza.
8. Reconecte la lanza a la pistola rociadora.
9. Asegúrese de que la manguera de jardín está conectada a la toma de agua de la bomba. Verifique que la manguera de alta presión está conectada a la pistola rociadora y a la bomba. Encienda el suministro de agua.
10. Encienda el motor siguiendo las instrucciones Cómo arrancar su hidrolavadora.
11. Pruebe la hidrolavadora poniéndola en operación con cada una de las boquillas de conexión rápida.

MANTENIMIENTO DEL ACEITE DE LA BOMBA

Cambie el aceite de la bomba cada 50 horas de operación.

1. Limpie el área alrededor del tapón de drenaje de aceite (A) (Figura 31).
2. Retire el tapón de drenaje de aceite. Drene el aceite completamente.
3. Coloque el tapón de drenaje de aceite. No apriete demasiado.
4. Limpie el área alrededor de la varilla de aceite (B).
5. Llène la bomba con aceite SAE 30 sin detergente. El nivel de aceite debe estar entre las marcas "L" y "H" de la varilla de medición (Figura 32) **No llene en exceso.**
6. Instale la varilla de aceite y ajústela.
7. Limpie el aceite derramado.

Figura 31 – Drenaje del aceite de la bomba

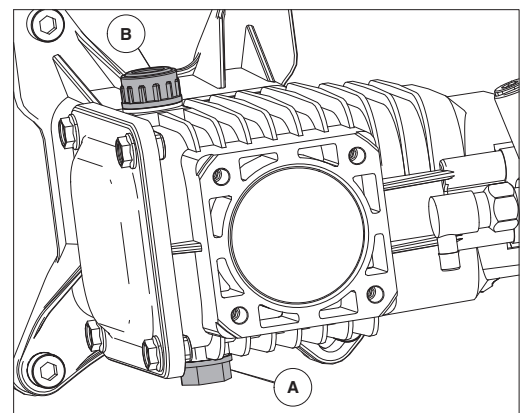
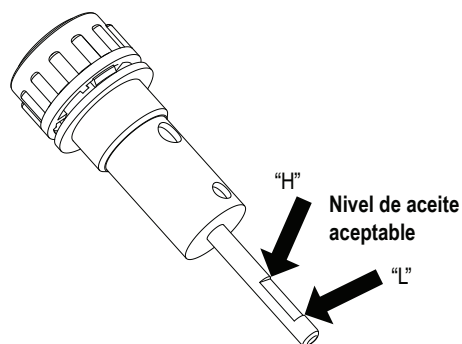


Figura 32 - Varilla de medición



NOTA:

Un aceite sintético que cumpla con ILSAC GF-2, con marca de certificación API y el símbolo de servicio API con "CONSERVACIÓN DE ENERGÍA SJ/CF" o superior, es un aceite aceptable a todas las temperaturas. El uso de aceites sintéticos no altera los intervalos entre cambios.

NOTA:

El motor está equipado con un "Sistema de Alerta de Aceite". Este sistema detendrá automáticamente el motor antes de que el nivel de aceite sea inferior al valor seguro. Para evitar las molestias de una parada inesperada, compruebe siempre el nivel de aceite del motor antes de empezar.

VERIFICACIÓN DEL NIVEL DE ACEITE

El nivel de aceite se debe verificar antes de cada uso o al menos cada 8 horas de operación. Mantenga el nivel de aceite.

1. Coloque el hidrolavadora sobre una superficie plana.
2. Limpie el área alrededor del área de llenado de aceite (Figura 34).
3. Retire la tapa de la boca de llenado de aceite y limpie la varilla de aceite.
4. Inserte la varilla en el cuello de llenado, pero no la atornille.
5. Compruebe que el nivel de aceite es el adecuado en la varilla (Figura 35).
6. Reemplace y ajuste el tapón de la boca de llenado de aceite.

CÓMO AGREGAR ACEITE AL MOTOR

1. Coloque el hidrolavadora sobre una superficie plana.
2. Compruebe el nivel de aceite como se describe en Verificación del nivel de aceite.
3. Si el nivel es bajo, llene hasta que el nivel de aceite esté entre "L" y "H" en la varilla de medición (Figura 35).
4. Compruebe el nivel de aceite según la sección Verificación del nivel de aceite.
5. Reemplace y ajuste el tapón de la boca de llenado de aceite.

CAMBIO DEL ACEITE DEL MOTOR

Si usa su hidrolavadora bajo condiciones extremas de suciedad, o en climas muy calurosos, cambie el aceite más a menudo.

PRECAUCIÓN

Evite el contacto prolongado o repetido de la piel con aceite de motor usado.

(000127)

- Se ha demostrado que el aceite de motor usado causa cáncer de piel en algunos animales de laboratorio.
- Lave las áreas expuestas con agua y jabón.

PRECAUCIÓN

Manténgala fuera del alcance de los niños.

(000128)

- No contamine. Conserve los recursos. Lleve el aceite usado a centros de recolección.

MANTENIMIENTO DEL MOTOR



PELIGRO

Electrocución. Si no se evita el contacto del agua con una fuente de alimentación, ocasionará la muerte o lesiones graves.

(000104)

AL HACER AJUSTES O REPARACIONES A SU HIDROLAVADORA:

- Desconecte el cable de la bujía y colóquelo donde no puede hacer contacto con la bujía.

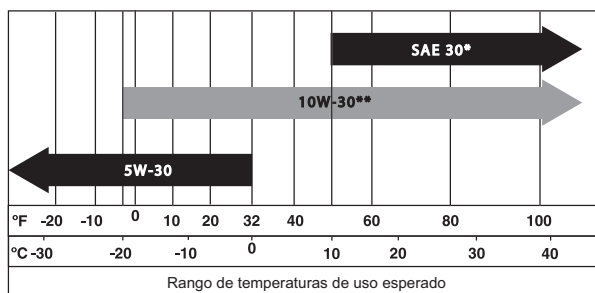
AL PROBAR SI HAY CHISPAS EN EL MOTOR:

- Use un probador aprobado para bujías.
- NO realice la prueba sin la bujía conectada.

RECOMENDACIONES SOBRE EL ACEITE DEL MOTOR

Se recomienda el uso de aceites detergentes de alta calidad con clasificación de servicio SF, SG, SH, SJ o superior. NO use aditivos especiales.

Las temperaturas exteriores determinan la viscosidad adecuada del aceite para el motor. Use la tabla para seleccionar la mejor viscosidad para el rango de temperatura exterior previsto.



* Por debajo de 50°F (10°C) el uso de aceite SAE 30 dará lugar a un arranque difícil.

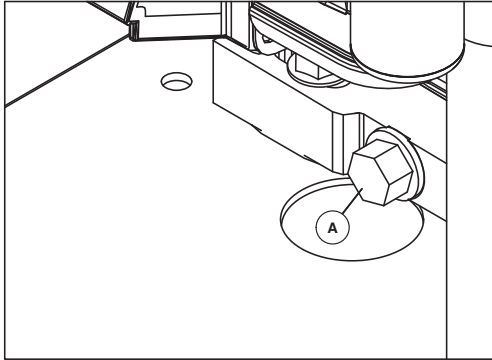
** Por encima de 80°F (27°C) el uso de aceite 10W30 puede aumentar el consumo de aceite. Compruebe el nivel de aceite más frecuentemente.

Mantenimiento

Cambie el aceite mientras el motor está caliente, como se indica a continuación:

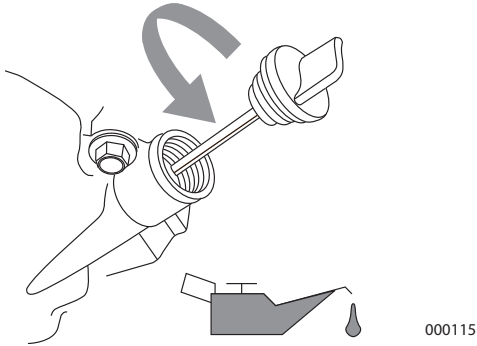
1. Coloque el hidrolavadora sobre una superficie plana.
2. Desconecte el cable de la bujía y colóquelo donde no puede hacer contacto con la bujía.
3. Limpie el área alrededor del tapón de drenaje de aceite (A) (Figura 33). El tapón de drenaje de aceite se encuentra en la base del motor, en el lado opuesto al carburador.

Figura 33 – Tapón de drenaje de aceite



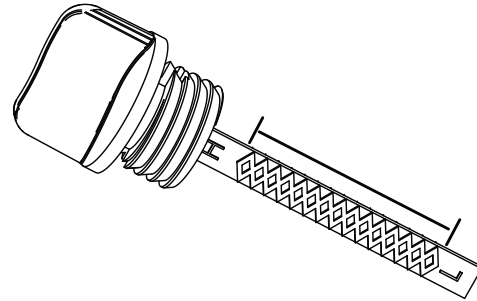
4. Retire el tapón de la boca de llenado de aceite (Figura 34).
5. Retire el tapón de drenaje de aceite y drene el aceite completamente en un recipiente adecuado.
6. Coloque nuevamente el tapón y ajústelo.

Figura 34 – Llenado de aceite del motor



7. Vierta el aceite lentamente en la abertura de llenado de aceite hasta que el nivel de aceite esté entre "L" y "H" en la varilla de medición (Figura 35). **NO LLENE EN EXCESO.**

Figura 35 - Varilla de medición



000116

8. Instale la varilla de medición de aceite hasta que quede apretada con el dedo.
9. Recoja y limpie el aceite que pueda haberse derramado.
10. Deshágase del aceite según las regulaciones locales.

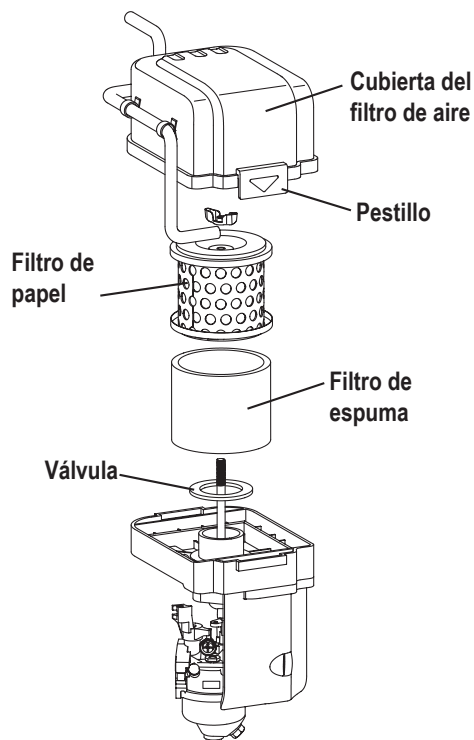
SERVICIO DEL FILTRO DE AIRE

Su motor no funcionará correctamente y puede sufrir daños si se utiliza con un filtro de aire sucio. Realizar el servicio más a menudo si se opera bajo condiciones de mucha suciedad o polvo.

Para realizar el servicio al filtro de aire, siga los siguientes pasos:

1. Tire del pestillo de la cubierta del filtro de aire y retire la cubierta (Figura 36)
2. Suelte la tuerca mariposa.
3. Retire cuidadosamente el conjunto de filtro.
4. Retire el filtro de espuma.
5. Para limpiar el filtro, golpee levemente en forma repetida sobre una superficie plana.
6. Vuelva a instalar el filtro de espuma.
7. Vuelva a instalar un conjunto de filtro limpio o nuevo.
8. Vuelva a instalar y apriete la tuerca mariposa.
9. Instale la cubierta trabando el pestillo cerrado.

Figura 36 – Servicio del limpiador de aire

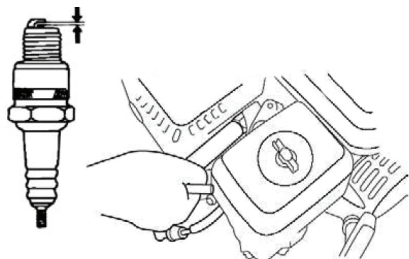


SERVICIO A LA BUJÍA

Cambiar la bujía hará que su motor encienda más fácilmente y funcione mejor.

1. Limpie el área alrededor de la bujía.
2. Retire e inspeccione la bujía (Figura 37).
3. Compruebe la separación entre electrodos con un calibrador de separación de alambre y restablézcalo a la medida recomendada si es necesario (ver especificaciones).
4. Cambie la bujía si los electrodos están picados o quemados o si la porcelana está rota. Use la bujía de reemplazo recomendada. Consulte las especificaciones.
5. Instale la bujía y ajústela.

Figura 37 – Cambio de la bujía



000134

INSPECCIÓN DEL SILENCIADOR Y EL SUPRESOR DE CHISPAS

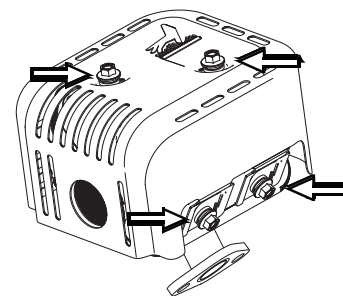
Inspeccione el silenciador en busca de grietas, corrosión u otros daños. Retire el supresor de chispas, de tenerla, e inspeccione en busca de daños o bloqueo de carbón. Si necesita partes de reemplazo, asegúrese de usar solamente repuestos originales.

RETIRE EL TAMIZ DEL SUPRESOR DE CHISPAS

Herramientas requeridas: Llave cerrada de 8 mm

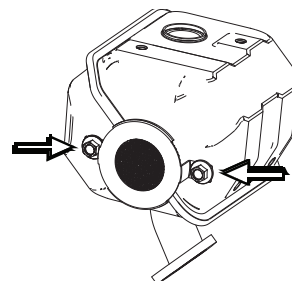
1. Retire el protector de calor del silenciador aflojando los cuatro (4) pernos (A) (Figura 38).
2. Retire el supresor de chispas del silenciador aflojando los dos (2) pernos (A) (Figura 39).
3. Inspeccione el supresor de chispas, sustitúyalo si está desgarrado, perforado o dañado de alguna otra forma (número de pieza 0K1851). NO USE un tamiz defectuoso.
4. Si el tamiz no se encuentra dañado, límpielo con algún solvente comercial y vuelva a colocarlo.

Figura 38 - Retiro del protector de calor



000135

Figura 39 - Retiro del supresor de chispas



000136



⚠️ ADVERTENCIA

Riesgo de incendio. Las superficies calientes pueden encender combustibles, produciendo un incendio. El incendio puede ocasionar la muerte o lesiones graves.

(000110)

- NO toque las superficies calientes y evite los gases de escape.
- Deje que el equipo se enfríe antes de tocarlo.
- Deje al menos 5 pies (152 cm) de espacio libre hacia todos los lados, incluida la parte superior.
- Es una violación al Código de Recursos Públicos de California, Sección 4442, utilizar u operar el motor en cualquier área cubierta de bosques, matorrales o hierba, a menos que el sistema de escape esté equipado con un apagachispas, tal como se define en la Sección 4442, mantenido en buenas condiciones de operación. Otros estados o jurisdicciones federales pueden tener leyes similares. Póngase en contacto con el fabricante de equipos originales, vendedor o distribuidor para obtener un supresor de chispas diseñado para el sistema de escape instalado en este motor.
- Los repuestos deben ser iguales y estar instalados en la misma posición que las piezas originales.

LUEGO DE CADA USO

El agua no debe permanecer en la unidad por períodos prolongados. Los sedimentos y minerales pueden depositarse en partes de la bomba y no permitir su acción. Siga estos procedimientos luego de cada uso:

1. Apague el motor, corte el suministro de agua, apunte la pistola en una dirección segura y apriete el gatillo para descargar la presión; deje enfriar el motor.



⚠️ PELIGRO

Inyección de fluido. Esta máquina produce chorros de fluido a alta presión que pueden penetrar en la piel. La inyección de fluido puede ocasionar la muerte o lesiones graves.

(000106)

- Mantenga la manguera de alta presión conectada a la bomba y a la pistola rociadora mientras el sistema se encuentra presurizado.
 - SIEMPRE dirija la pistola rociadora en una dirección segura y apriete el gatillo para descargar la presión, cada vez que pare el motor. Trabe el seguro del gatillo cuando no esté en uso.
2. Desconecte las mangueras de la pistola y de la salida de alta presión en la bomba. Drene el agua de las mangueras, la pistola y la lanza. Utilice un trapo para limpiar la manguera.
 3. Vacíe la bomba de todo líquido. Verifique que el interruptor ON/OFF del motor y la válvula están en posición OFF. A continuación, tire de la manija de retroceso cerca de seis veces. Esto deberá remover la mayoría del líquido en la bomba.
 4. Almacene la unidad en un lugar limpio y seco.
 5. Si no la va a usar por más de 30 días, consulte la sección Almacenamiento a largo plazo.



⚠️ PELIGRO

Explosión e incendio. El combustible y los vapores son extremadamente inflamables y explosivos. Añada combustible en una zona bien ventilada. Mantenga alejados el fuego y las chispas. No hacerlo puede ocasionar la muerte o lesiones graves. (000105)

AL ALMACENAR COMBUSTIBLE O EQUIPOS CON COMBUSTIBLE EN EL TANQUE

- Almacenar alejado de calderas, estufas, calentadores de agua, secadoras de ropa u otros aparatos electrodomésticos que posean luz piloto u otras fuentes de ignición, ya que pueden encender los vapores del combustible.

ALMACENAMIENTO EN INVIERNO

NOTA:

Debe proteger su unidad de temperaturas bajo cero.

- Si no lo hace, la bomba se dañará irreparablemente y la unidad no funcionará más.
- El daño por congelamiento no está cubierto en la garantía.

Para proteger la unidad de temperaturas bajo cero:

1. Siga los pasos 1 a 3 de la sección previa, Luego de cada uso.
2. Use un protector de bomba. Esto minimiza el riesgo de daños por congelamiento y lubrica pistones y sellos.
3. Si no tiene un protector de bomba, conecte un trozo de 3 pies de manguera de jardín al adaptador de la toma de agua. Vierta anticongelante RV (sin alcohol) en la manguera. Tire dos veces de la manija de retroceso. Desconecte la manguera de 3 pies.
4. Almacene la unidad en un lugar limpio y seco.

ALMACENAMIENTO A LARGO PLAZO

Si no va a usar la hidrolavadora por más de 30 días, debe preparar el motor y la bomba para su almacenamiento a largo plazo.

PROTECCIÓN DEL SISTEMA DE COMBUSTIBLE

El combustible puede echarse a perder si se lo almacena por más de 30 días. El combustible en mal estado hace que se formen depósitos de ácido y goma en el sistema de combustible o en partes esenciales del carburador. Para mantener el combustible fresco, utilice un estabilizante de combustible, disponible como un aditivo líquido o un cartucho de goteo concentrado.

No es necesario drenar el combustible del motor si se ha utilizado un estabilizante de combustible de acuerdo con las instrucciones. Ponga el motor en funcionamiento durante 2 minutos para que el estabilizante circule por todo el sistema de combustible. El motor y el combustible se pueden almacenar hasta por 24 meses (según las especificaciones del fabricante del estabilizante de combustible).

Si no se usó estabilizante de combustible, debe drenarse la gasolina y almacenarse en un recipiente adecuado. Mantenga el motor encendido hasta que se apague por falta de combustible. Para mantener el combustible en buen estado, se recomienda colocar estabilizante de combustible en el recipiente de almacenamiento.

CAMBIO DE ACEITE

Mientras el motor todavía está caliente, drene el aceite del cárter del motor. Reemplace con el grado recomendado. Consulte: Cómo cambiar el aceite en Mantenimiento del motor.

PROTECCIÓN DE LA BOMBA

Para proteger la bomba contra daños causados por depósitos minerales o congelación, use PumpSaver o RV-antifreeze para tratar la bomba. Esto evita daño por congelación y lubrica los pistones y juntas.

- No hacerlo dañará permanentemente la bomba y pondrá la unidad en condición de inoperable.
- El daño por congelación no está cubierto por la garantía.

Para proteger la unidad de las temperaturas de congelación:

1. Siga los pasos 1-3 de la sección anterior, Después de cada uso.
2. Use un protector para bombas para tratar la bomba. Esto minimiza los daños por congelación y lubrica los pistones y juntas.
3. Si no hay protector para bombas disponible, conecte una sección de manguera de jardín de 3 pies en el adaptador de entrada de agua. Vierta RV-antifreeze (anticongelante sin alcohol) en la manguera. Tire dos veces de la manija de la cuerda de arranque. Desconecte la manguera de 3 pies.



ADVERTENCIA

Riesgo de incendio. Verifique que la máquina se haya enfriado apropiadamente antes de instalar una cubierta y almacenar la máquina. Las superficies calientes pueden ocasionar un incendio.

(000109)

- NO cubra una hidrolavadora caliente con una cubierta para almacenamiento.
- Deje enfriar el equipo durante el tiempo suficiente antes de colocar la cubierta.
- 4. Almacene la unidad en una zona limpia y seca.

OTRAS CONDICIONES DE ALMACENAMIENTO

1. NO guarde combustible de una temporada para otra, a menos que haya sido tratado como se describe en la sección Protección del Sistema de combustible.
2. Cambie el recipiente de combustible si comienza a oxidarse. El óxido y/o la suciedad en el combustible pueden causar problemas si se utilizan en esta unidad.
3. Cubra la unidad con una cubierta protectora adecuada que no retenga humedad.
4. Almacene la unidad en un lugar limpio y seco.

TRANSPORTE E INCLINACIÓN DE LA UNIDAD

No haga funcionar, almacene o transporte la unidad con un ángulo mayor que 15 grados.

Localización y corrección de fallas

GUÍA DE LOCALIZACIÓN Y CORRECCIÓN DE FALLAS

PROBLEMA	CAUSA	CORRECCIÓN
La bomba tiene los siguientes problemas: No desarrolla presión, presión variable, traqueteo, pérdida de presión, bajo volumen de agua.	<ol style="list-style-type: none"> 1. Boquilla de baja presión instalada. 2. La toma de agua está bloqueada. 3. Suministro inadecuado de agua. 4. La manguera de entrada está doblada o tiene pérdidas. 5. Filtro de manguera de entrada obstruido. 6. El suministro de agua está por encima de 100°F. 7. La manguera de alta presión está bloqueada o tiene pérdidas. 8. La pistola rociadora tiene fugas. 9. La boquilla está obstruida. 10. La bomba está fallando. 	<ol style="list-style-type: none"> 1. Reemplácela con la boquilla de alta presión. 2. Limpie la toma. 3. Suministre el flujo de agua adecuado. 4. Refuerce la manguera de entrada, empareche la pérdida. 5. Verifique el estado y limpie el filtro de la toma. 6. Proporcione un suministro de agua a temperatura más baja. 7. Retire las obstrucciones en la manguera de salida o sustituya la manguera. 8. Reemplace la pistola rociadora. 9. Limpie la boquilla. 10. Contacte al centro local de servicio.
El detergente no se mezcla con el aerosol.	<ol style="list-style-type: none"> 1. El tubo de descarga de detergente no está sumergido. 2. El tubo/filtro de descarga de detergente está obstruido o quebrado. 3. Boquilla de alta presión instalada. 	<ol style="list-style-type: none"> 1. Coloque el tubo de descarga de detergente dentro del detergente. 2. Limpie o reemplace el tubo/filtro de descarga de detergente. 3. Reemplácela con la boquilla de baja presión.
El motor funciona bien sin carga pero "funciona mal", agregó cuando está cargado.	<ol style="list-style-type: none"> 1. La velocidad del motor es muy baja. 	<ol style="list-style-type: none"> 1. Mueva el control del obturador a la posición RÁPIDA. Si el motor sigue funcionando mal, contacte al centro local de servicio.
El motor no arranca, o arranca y funciona mal.	<ol style="list-style-type: none"> 1. Nivel de aceite bajo, "Sistema de alerta de aceite". 2. Limpiador de aire sucio. 3. Sin combustible. 4. Combustible en mal estado. 5. Cable de la bujía no conectado. 6. Bujía en mal estado. 7. Agua en el combustible. 8. Mezcla muy rica en combustible. 	<ol style="list-style-type: none"> 1. Llene el cárter hasta el nivel adecuado. 2. Limpie o reemplace el filtro de aire. 3. Llene el tanque de combustible. 4. Vacíe el tanque de combustible y llénelo con combustible nuevo. 5. Conecte el cable a la bujía. 6. Reemplace la bujía. 7. Vacíe el tanque de combustible y llénelo con combustible nuevo. 8. Contacte al centro local de servicio.
El motor se apaga mientras está funcionando.	<ol style="list-style-type: none"> 1. Sin combustible. 	<ol style="list-style-type: none"> 1. Llene el tanque de combustible.
Al motor le falta potencia.	<ol style="list-style-type: none"> 1. Filtro de aire sucio . 	<ol style="list-style-type: none"> 1. Reemplace el filtro de aire.



Manuel de l'opérateur

Laveuse à pression

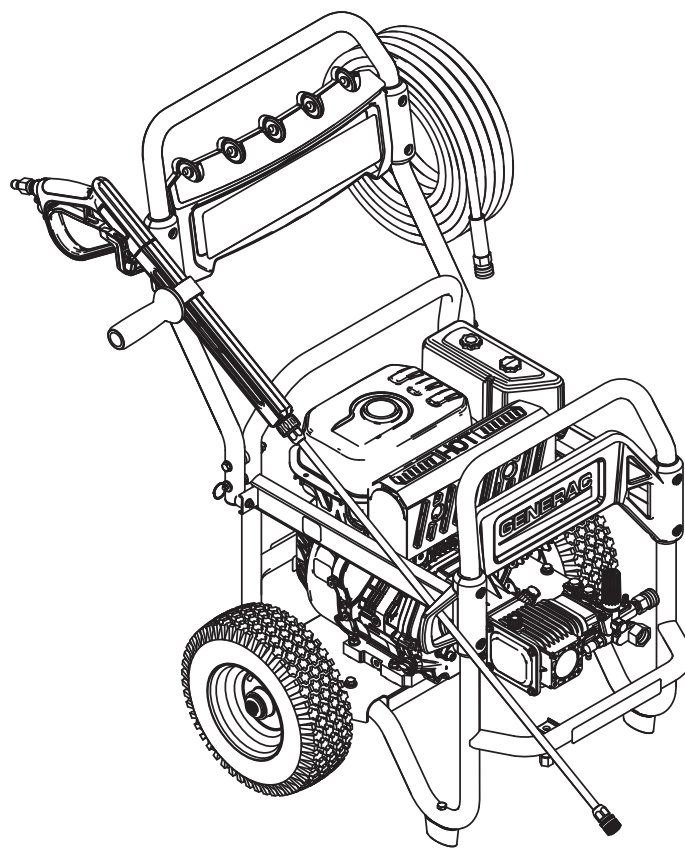


Table des matières

Introduction	1	Entretien	15
Règles de sécurité	1	Recommandations d'entretien	15
Symboles de sécurité et leurs signification	2	Programme d'entretien	15
Information générale	4	Contrôle des émissions.....	15
Connaître Votre Laveuse à Pression	4	Entretien de la laveuse à pression	15
Informations relatives aux émissions	5	Vérifier et nettoyer le filtre d'entrée de l'eau	15
Déballage.....	5	Vérifier les tuyaux à haute pression	15
Configuration	5	Vérifier le tuyau à siphon de détergent.....	15
Assemblage.....	5	Vérifier le pistolet de pulvérisation	16
Ajouter l'huile à moteur.....	6	Entretien de la buse.....	16
Vérifier l'huile à pompe.....	6	Entretien de l'huile à pompe.....	16
Ajouter du carburant	7	Entretien du moteur.....	17
Brancher le tuyau et l'approvisionnement d'eau à la pompe.....	7	Recommandations d'huile de moteur.....	17
Comment utiliser les buses	9	Entretien du filtre à air	18
Fonctionnement	12	Entretien de la bougie d'allumage	19
Fonctionnement	12	Vérifier le pot d'échappement et le pare-étincelles.....	19
Emplacement de la laveuse à pression.....	12	Après chaque utilisation	20
Liste de contrôle avant de démarrer le moteur	12	Entreposage d'hiver.....	20
Comment démarrer votre laveuse à pression.....	12	Entreposage à long terme	20
Système de refroidissement automatique (Suppression thermique)	14	Autres instructions d'entreposage.....	21
Réglage de pression ajustable.....	14	Transport/inclinaison de l'appareil.....	21
Comment arrêter votre laveuse à pression.....	14	Dépannage	22
		Guide de Dépannage	22
		Remarques	23

AVERTISSEMENT

Proposition 65 de l'État de la Californie. L'échappement du moteur et certains de ses composants sont reconnus par l'État de la Californie comme pouvant causer le cancer, des anomalies congénitales ou d'autres dommages au système reproducteur.

(000004)

AVERTISSEMENT

Proposition 65 de l'État de la Californie. Ce produit contient ou émet des produits chimiques reconnus par l'État de la Californie comme pouvant causer le cancer, des anomalies congénitales ou d'autres dommages au système reproducteur.

(000005)

INTRODUCTION

Nous vous remercions d'avoir acheté un produit de Generac Power Systems Inc. Cet appareil a été conçu pour offrir une performance élevée et un fonctionnement efficace pendant des années s'il est entretenu correctement.

Assurez-vous de lire ce manuel attentivement et de comprendre toutes les instructions, les mises en garde et les avertissements avant d'utiliser ce produit. Si vous ne comprenez pas une section de ce manuel, veuillez communiquer avec votre fournisseur agréé le plus près ou avec le service à la clientèle de Generac par téléphone, au 1-888-436-3722, ou par Internet, au www.generac.com, pour obtenir de l'aide.

Le propriétaire est responsable de faire un entretien adéquat et une utilisation sécuritaire de l'équipement. Avant d'utiliser cette laveuse à pression, d'en faire l'entretien ou de la ranger :

- Étudiez attentivement tous les avertissements se trouvant dans ce manuel et sur le produit.
- Familiarisez-vous avec ce manuel et avec l'appareil avant de l'utiliser.
- Consultez la section Assemblage de ce manuel afin d'obtenir les consignes portant sur les procédures d'assemblage finales. Suivez les consignes à la lettre.

Conservez ces consignes pour consultation future. Remettez TOUJOURS ce manuel aux personnes qui utiliseront cet appareil.

LES INFORMATIONS CONTENUES DANS LE PRÉSENT DOCUMENT SONT BASÉES SUR DES APPAREILS EN PRODUCTION AU MOMENT DE LA PUBLICATION. GENERAC SE RÉSERVE LE DROIT DE MODIFIER CE MANUEL À TOUT MOMENT.

OÙ NOUS TROUVER

Vous pouvez contacter le Service à la clientèle de Generac par téléphone au 1-888-436-3722, ou sur l'Internet à www.generac.com Écrivez les informations importantes de l'unité dans le tableau ci-dessous pour une référence future et / ou demandes de service.

Numéro de modèle	
Numéro de série	
Date d'achat	

RÈGLES DE SÉCURITÉ

Des encarts DANGER, AVERTISSEMENT, MISE EN GARDE et REMARQUE apparaissent ponctuellement dans cette publication ainsi que sur les étiquettes et autocollants fixés à la laveuse à pression pour attirer l'attention du personnel sur des consignes propres à certaines opérations pouvant présenter des risques si elles sont réalisées de manière incorrecte ou attentive. Veuillez les respecter attentivement. Voici leur définition :

DANGER

Indique une situation dangereuse qui, si elle n'est pas évitée, entraînera la mort ou des blessures graves.

(000001)

AVERTISSEMENT

Indique une situation dangereuse qui, si elle n'est pas évitée, pourrait entraîner la mort ou des blessures graves.

(000002)

MISE EN GARDE

Indique une situation dangereuse qui, si elle n'est pas évitée, pourrait entraîner des blessures légères ou moyennement graves.

(000003)

REMARQUE :

Les remarques contiennent des informations supplémentaires importantes à propos des procédures et sont intégrées au corps du texte de ce manuel.

Ces avertissements en matière de sécurité ne peuvent éliminer les dangers qu'ils décrivent. Le bon sens et un respect strict des consignes sont essentiels afin de prévenir les accidents lors de l'utilisation ou de l'entretien de l'équipement.

Règles de sécurité

SYMBOLES DE SÉCURITÉ ET SIGNIFICATIONS



⚠ DANGER

Asphyxie. Le moteur en marche produit du monoxyde de carbone, un gaz inodore, incolore et toxique. Le monoxyde de carbone, s'il n'est pas évité, entraînera la mort ou des blessures graves.

(000103)



⚠ DANGER

Décharge électrique. Le contact de l'eau avec une source d'alimentation, s'il n'est pas évité, entraînera la mort ou des blessures graves.

(000104)



⚠ DANGER

Injection de fluide. Cet appareil produit des jets de fluide haute pression qui peuvent percer la peau. Une injection de fluide peut entraîner la mort ou des blessures graves.

(000106)



⚠ DANGER

Explosion et incendie. Le carburant et ses vapeurs sont extrêmement inflammables et explosifs. Ajoutez du carburant dans un endroit bien ventilé. Gardez l'appareil éloigné du feu et des étincelles. Le non-respect de cette consigne pourrait entraîner la mort ou des blessures graves.

(000105)



⚠ AVERTISSEMENT

Risque d'incendie. Les surfaces chaudes peuvent enflammer des matériaux combustibles et causer un incendie. Un incendie peut entraîner la mort ou des blessures graves.

(000110)



⚠ AVERTISSEMENT

Perte de vision. Portez toujours des lunettes de sécurité lorsque vous utilisez cet appareil. Le non-respect de cette consigne pourrait entraîner une perte de vision permanente.

(000101)



⚠ AVERTISSEMENT

Perte d'audition. Il est recommandé de porter des protecteurs d'oreille lorsque vous utilisez cet appareil. Le non-respect de cette consigne peut entraîner une perte d'audition permanente.

(000107)



⚠ AVERTISSEMENT

Surfaces chaudes. Lorsque vous utilisez l'appareil, ne touchez pas aux surfaces chaudes. Gardez l'appareil éloigné des matériaux combustibles lorsqu'il fonctionne. Le contact avec des surfaces chaudes peut entraîner des brûlures graves ou un incendie.

(000108)



⚠ AVERTISSEMENT

Risque d'incendie. Vérifiez que l'appareil a bien refroidi avant d'installer une protection de rangement et d'entreposer l'appareil. Le contact avec des surfaces chaudes peut entraîner un incendie.

(000109)



⚠ AVERTISSEMENT

Pièces mobiles. Gardez les vêtements, les cheveux et les accessoires loin des pièces mobiles. Le non-respect de cette consigne pourrait entraîner la mort ou des blessures graves.

(000111)



⚠ AVERTISSEMENT

Risque de chute. L'utilisation de cet appareil crée des zones humides, ce qui augmente les risques de chute. Soyez conscient des conditions de la zone de travail. Une chute peut entraîner la mort ou des blessures graves.

(000112)



⚠ AVERTISSEMENT

Risque de chute. N'utilisez pas cet appareil ni aucun de ses composants sur des surfaces élevées. Cela pourrait entraîner une chute, des blessures graves ou la mort.

(000114)



⚠ AVERTISSEMENT

Risque lié au lanceur à rappel. Le cordon du lanceur à rappel pourrait se rétracter de façon inattendue si la pression de l'eau n'est pas correctement relâchée dans la pompe, créant ainsi un effet de rebond. Un effet de rebond peut entraîner la mort ou des blessures graves.

(000113)



⚠ AVERTISSEMENT

Consultez le manuel. Lisez le manuel complètement et comprenez-en le contenu avant d'utiliser l'appareil. Le non-respect de cette consigne pourrait entraîner la mort ou des blessures graves.

(000100)



⚠ AVERTISSEMENT

Pièces mobiles. Ne portez pas de bijoux lorsque vous mettez en marche ou utilisez ce produit. Le non-respect de cette consigne peut entraîner la mort ou des blessures graves.

(000115)

⚠ AVERTISSEMENT

Ne pointez jamais le pistolet de pulvérisation vers des gens, des animaux, des appareils électriques ou des objets fragiles. Gardez hors de la portée des enfants. Le non-respect de cette consigne peut entraîner la mort ou des blessures graves.

(000117)

REMARQUE :

Jet à haute pression pouvant endommager les articles fragiles, dont le verre.

- NE POINTEZ pas le pistolet de pulvérisation vers du verre lors de l'utilisation de la buse rouge (0°) MAX.
- Ne pointez JAMAIS le pistolet de pulvérisation vers des gens, des animaux, des appareils électriques ou des plantes.

REMARQUE :

Un traitement inapproprié de la laveuse à pression peut entraîner des dommages et réduire sa durée de vie.

- Si vous avez des questions quant à l'utilisation prévue, demandez au détaillant ou communiquez avec un centre de services agréé.
- N'utilisez JAMAIS des appareils comportant des pièces défectueuses ou manquantes, ou sans enceinte ou couvercle de protection.
- NE court-circuitez AUCUN dispositif de sécurité sur cet appareil.
- Ne faites PAS fonctionner la laveuse à pression au-delà des pressions nominales.
- NE modifiez D'AUCUNE FAÇON la laveuse à pression.
- Avant de mettre en marche la laveuse à pression PAR TEMPS FROIDS, vérifiez chacune des pièces de l'équipement afin de veiller à ce qu'aucune glace ne se soit formée.
- NE déplacez JAMAIS l'appareil en tirant sur les tuyaux. Utilisez la poignée de l'appareil.
- Vérifiez le système d'alimentation en carburant afin de détecter des fuites ou des signes de détérioration, comme un tuyau éraillé ou spongieux, des pinces desserrées ou manquantes, ou encore un réservoir ou un bouchon endommagé. Réparez toutes les déficiences avant d'utiliser la laveuse à pression.
- Cet équipement est conçu pour être utilisé UNIQUEMENT avec des pièces Generac autorisées. Si l'équipement est utilisé avec des pièces NON conformes aux spécifications minimales, l'utilisateur devra en assumer tous les risques et responsabilités.

CONNAÎTRE VOTRE LAVEUSE À PRESSION

Lisez ce manuel d'instructions et les règles de sécurité avant d'utiliser votre laveuse à haute pression.

Si vous prêtez cet appareil à quelqu'un, prêtez-lui TOUJOURS TOUTES les instructions aussi. Comparez les illustrations avec votre laveuse à haute pression afin de vous familiariser avec l'emplacement des différents contrôles (Figure 1). Gardez ce manuel pour consultation future. Les manuels du propriétaire de remplacement peuvent être imprimés à partir du site Web de Generac.

- A - Pistolet de pulvérisation** – Contrôle l'application d'eau sur la surface à nettoyer avec la gâchette à vapeur. Comprend un blocage pour la gâchette à vapeur.
- B - Lance avec raccord rapide** – Vous permet de changer entre quatre différentes buses.
- C - Tuyau à haute pression** – Branchez une extrémité à la pompe d'eau et l'autre au pistolet de pulvérisation.
- D - Lanceur à rappel** – Pour mettre le moteur en marche.
- E - Réservoir d'huile** – Vérifiez et ajoutez de l'huile à moteur ici.
- F - Filtre à air** – Protège le moteur en filtrant la poussière et les débris de l'air d'admission.
- G - Pompe** – Développe la haute pression.
- H - Soupape de suppression thermique** – Possède un cycle d'eau à travers la pompe quand l'eau atteint 125 °F. L'eau chaude se décharge de la pompe sur le sol. Ceci empêche des dommages internes de la pompe.
- I - Interrupteur On/Off (Marche/Arrêt) du moteur** – Mettez l'interrupteur à la position « ON » avant d'utiliser le lanceur à rappel. Mettez l'interrupteur à la position « OFF » pour arrêter le moteur.
- J - Contrôle de pression/Soupape de marche à vide** – Contrôle la sortie de haute pression.

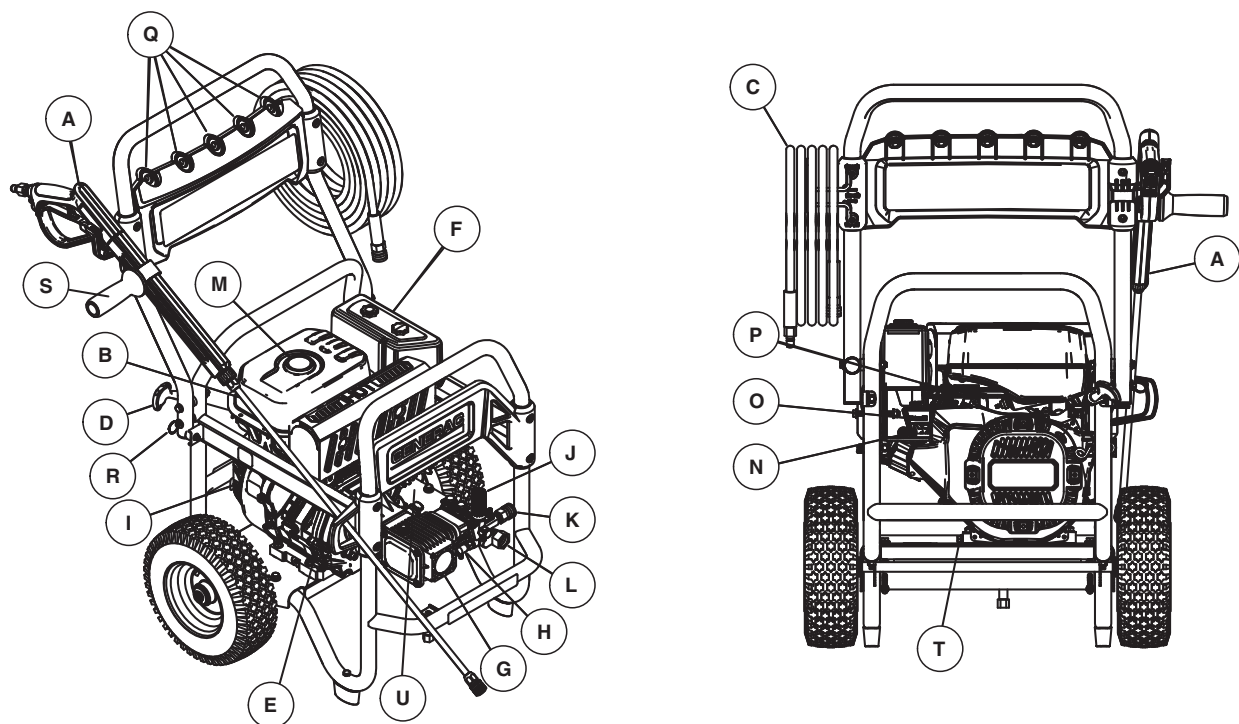
- K - Sortie haute pression** – Raccord pour le tuyau à haute pression.
- L - Entrée d'eau** – Raccord pour le tuyau d'arrosage.
- M - Réservoir de carburant** – Remplissez le réservoir avec de l'essence sans plomb. Toujours laisser de la place pour l'expansion du carburant.
- N - Interrupteur On/Off (Marche/Arrêt) du carburant** – Met l'alimentation en carburant vers le moteur en marche ou en arrêt.
- O - Étrangleur** – Prépare un moteur froid pour le démarrage.
- P - Levier de régulateur** – Augmente ou diminue la vitesse du moteur. L'accélérateur doit être au maximum lorsque la laveuse à pression est utilisée.
- Q - Buses** – Injection de produits chimiques, 0°, 15°, 25°, 40° (blanches, jaunes, rouges et noires) pour les diverses nettoyages à haute pression.
- R - Goupille de déverrouillage** – Tirer sur l'anneau pour déverrouiller la poignée. Ceci permet à la poignée de se replier pour le rangement.
- S - Poignée latérale ajustable** – Ajustable en tournant dans le sens contraire des aiguilles d'une montre pour la desserrer, ajuster à la position la plus confortable et serrer dans le sens contraire. Ceci permet avoir une prise ferme de fonctionnement du pistolet de pulvérisation.
- T - Purgeur d'huile** – Drainer l'huile à moteur ici.
- U - Emplacement du numéro de série**

ARTICLES NON MONTRÉS

Étiquette d'identification (près de l'arrière de la plaque de base) – Fournit le modèle et le numéro de série de la laveuse à pression. Tenir ces renseignements à disposition lors d'un appel pour assistance.

Filtre/Tuyau à siphon pour détergent – Utilisé pour siphonner les détergents sécuritaires de la laveuse à pression dans le jet à basse pression.

Figure 1 – Features & Controls



INFORMATIONS RELATIVES AUX ÉMISSIONS

L'Agence américaine de protection de l'environnement (et le Comité des ressources de l'air de la Californie pour les appareils certifiés selon les normes CA) exige que ce moteur soit conforme aux normes d'émissions d'échappement et par évaporation. Identifiez l'étiquette contenant les informations au sujet de la conformité aux normes d'émissions apposée sur le moteur pour déterminer quelles sont les normes satisfaites par le moteur et quelle est la garantie applicable en la matière. Ce moteur est certifié pour les normes d'émission applicables sur l'essence. Il est important de respecter les spécifications d'entretien décrites dans la section Entretien afin de s'assurer que le moteur reste conforme aux normes d'émission applicables pendant toute la durée de sa vie. Ce moteur utilise les paramètres d'une carburation pauvre ainsi que d'autres systèmes permettant de réduire les émissions. Toute manipulation ou altération du système de contrôle des émissions risque d'augmenter ces dernières et constituer une violation des lois fédérales ou californiennes. Ce qui suit constitue une liste non exhaustive des actions assimilées à des manipulations :

- dépose ou altération de toute pièce des systèmes d'admission, d'échappement ou de carburant
- l'altération ou la défaillance de la tringlerie du régulateur ou du mécanisme de régulation de vitesse qui provoquerait le fonctionnement du moteur hors des paramètres pour lesquels il est conçu

Si vous avez connaissance de l'un des symptômes suivants, faites vérifier et réparer votre moteur par votre centre de réparation :

- démarrage difficile ou calage après le démarrage
- ralenti irrégulier
- ratés d'allumage ou effets de retour de flamme en charge
- postcombustion (retour de flamme)
- fumée d'échappement noire ou importante consommation de carburant

DÉBALLAGE

1. Sortir tous les accessoires et composants livrés avec la laveuse à pression.
2. Ouvrez la boîte complètement en coupant tous les coins du haut vers le bas.
3. Assurez-vous d'avoir tous les pièces incluses avant l'assemblage.
 - Unité principale
 - Tuyau à haute pression
 - Filtre et tuyau à siphon
 - Pistolet de pulvérisation
 - Lance avec raccord rapide
 - Bouteille d'huile
 - Sac à pièces (comprend les pièces suivantes):
 - Armature de crochet du tuyau et clé hexagonale
 - Manuel d'instructions
 - Carte d'enregistrement du propriétaire
 - Sac contenant les buses à code de couleur
 - Écran du filtre
4. S'il vous manque un article de votre boîte, veuillez appeler le Service à la clientèle de Generac au 1-888-436-3722. Quand vous appelez, veuillez avoir le modèle et le numéro de série de l'étiquette de données.
5. Complétez et envoyez la fiche d'enregistrement. Écrivez le numéro de modèle, le numéro de série et la date d'achat dans le tableau qui se trouve à la section « Où nous trouver ».

ASSEMBLAGE



⚠ AVERTISSEMENT

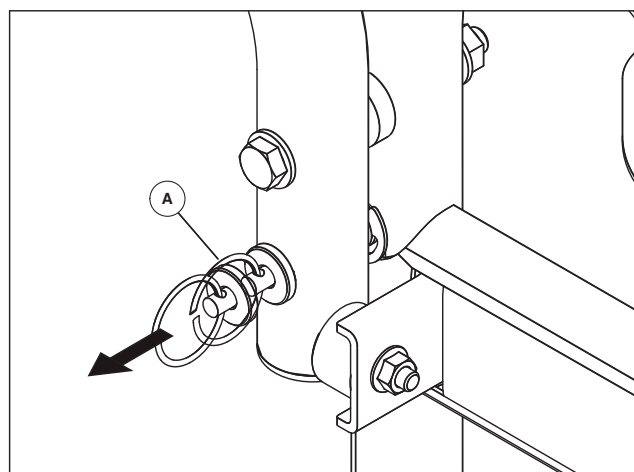
Consultez le manuel. Lisez le manuel complètement et comprenez-en le contenu avant d'utiliser l'appareil. Le non-respect de cette consigne pourrait entraîner la mort ou des blessures graves.

(000100)

Lisez tout le manuel d'instructions avant d'essayer d'assembler ou, si vous avez des problèmes avec l'assemblage de votre laveuse à pression, veuillez appeler le Service à la clientèle de Generac au 1-888-436-3722. Quand vous appelez, veuillez avoir le modèle et le numéro de série de l'étiquette de données.

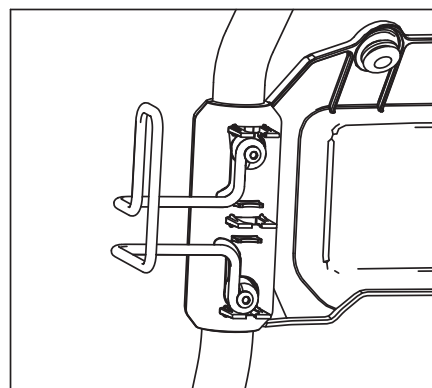
1. La poignée peut être repliée vers le bas ou verrouillée en place en utilisant la goupille de déverrouillage intégrée.

Figure 2 - Attacher la poignée



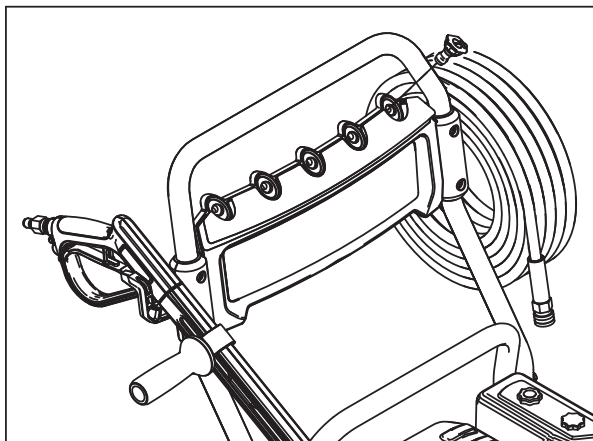
2. Installer le crochet du tuyau en utilisant les vis fournies et la clé hexagonale (Figure 3).

Figure 3 – Installer le crochet du tuyau



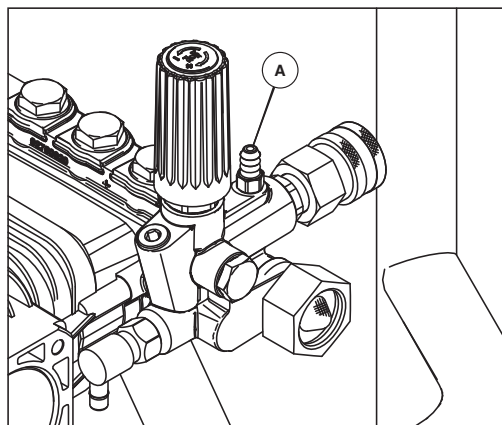
3. Insérez les buses à code de couleur dans les espaces fournis dans la poignée (Figure 4).
4. Placer le pistolet de pulvérisation et la rallonge des buses dans le porte-pistolet, comme illustré (Figure 4).

Figure 4 - Insérer les buses



5. Enroulez le tuyaux à pression et accrochez-le sur le crochet.
6. Attachez le tuyau à siphon à l'emplacement A (Figure 5).

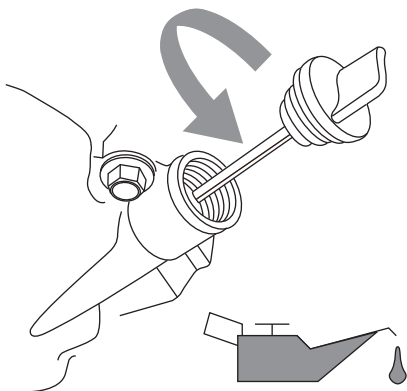
Figure 5 - Emplacement du tuyau à siphon



AJOUTER L'HUILE À MOTEUR

1. Mettre la laveuse à pression sur une surface solide et plane.
2. Nettoyer le secteur situé autour du réservoir d'huile et enlever le la jauge/le capuchon du réservoir d'huile (Figure 6).

Figure 6 - Remplir l'huile à moteur



000115

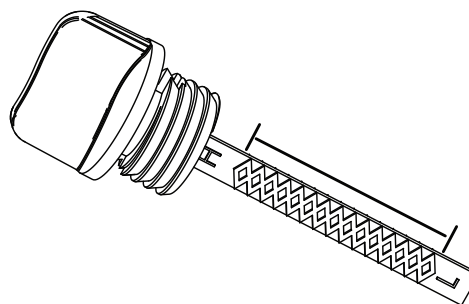
3. À l'aide d'un entonnoir à huile (en option), versez lentement l'huile par l'orifice de remplissage. Pour connaître les recommandations sur le type d'huile à utiliser, consultez la section Entretien.

REMARQUE :

Dans certaines unités, il y a plus d'un emplacement de remplissage d'huile. Dans ces cas, il faut simplement utiliser l'un des points de remplissage d'huile.

4. Vérifiez régulièrement jusqu'à ce que le niveau d'huile se situe entre « L » et « H » sur la jauge d'huile (Figure 7). **NE REMPLISSEZ PAS TROP LE RÉSERVOIR.**

Figure 7 - Jauge



000116

REMARQUE :

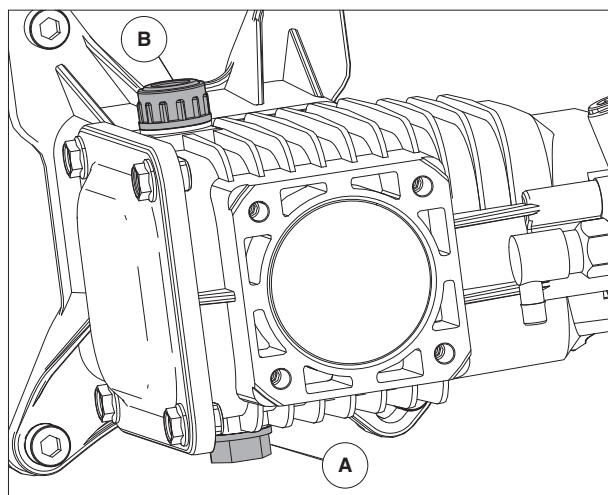
Toute tentative de faire tourner ou de démarrer le moteur avant qu'il ait été correctement entretenu avec l'huile recommandée peut entraîner une panne du moteur.

5. Remplacez la jauge/le capuchon de remplissage d'huile et serrez complètement.

VÉRIFIER L'HUILE À POMPE

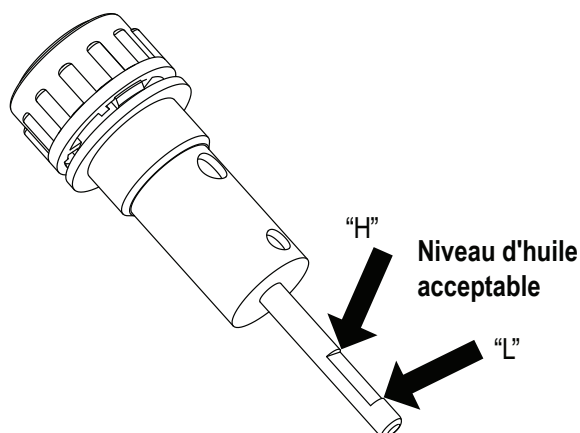
1. Mettre la laveuse à pression sur une surface solide et plane.
2. Nettoyer le secteur situé autour du réservoir d'huile et enlever la jauge/cape ventilée (B) (Figure 8).

Figure 8 - Vérifier l'huile à pompe



3. Vérifiez que le niveau d'huile se situe entre « L » et « H » sur la jauge d'huile (Figure 9). S'il faut ajouter de l'huile, consultez la section Entretien. **Ne remplissez pas trop le réservoir.**
4. Voir la section Entretien pour des informations supplémentaires concernant l'entretien de l'huile de la pompe.
5. Installez la jauge d'huile et resserrez manuellement.
6. Nettoyez toute éclaboussure d'huile.

Figure 9 – Jauge d'huile de la pompe



- S'il y a des fuites de carburant, attendez qu'elles s'évaporent avant de démarrer le moteur.
- Gardez le carburant éloigné des étincelles, des flammes, d'une lumière pilote, la chaleur et de toute autre source de combustion.
- NE PAS allumer une cigarette ou ne pas fumer.

1. Nettoyer le secteur situé autour du capuchon de remplissage de carburant, enlever le capuchon.
2. Ajouter lentement de l'essence sans plomb au réservoir de carburant. Attention à ne pas trop remplir. Remplir au bas de la grille filtrante, ce qui permettra l'expansion du carburant (Figure 10).
3. Installer le capuchon de carburant et laisser évaporer les fuites de carburant avant de démarrer le moteur.

Figure 10 - Ajouter du carburant



000117

AJOUTER DU CARBURANT

Le carburant doit se conformer aux exigences suivantes :

- Carburant propre, frais, sans plomb.
- Un minimum de 87 octanes/87 AKI (91 IOR).
- L'essence contenant jusqu'à 10% d'éthanol (essence-alcool) est acceptable.

REMARQUE :

Éviter tout dommage à la laveuse à pression. Le non-respect du manuel d'utilisation à propos des recommandations du carburant annule la garantie.

- NE PAS utiliser de l'essence non approuvée comme E85.
- NE PAS mélanger de l'huile dans l'essence.
- NE PAS modifier le moteur pour fonctionner avec d'autres carburants.

Pour protéger le système de carburant d'une gélification, mélanger avec un stabilisateur de carburant lorsque vous ajoutez du carburant. Voir Entreposage. Tous les carburants ne sont pas le même. Si vous rencontrez des problèmes de performance ou de démarrage après l'utilisation d'un carburant, changez à un fournisseur de carburant différent ou changez les marques.

⚠ DANGER



Explosion et incendie. Le carburant et ses vapeurs sont extrêmement inflammables et explosifs. Ajoutez du carburant dans un endroit bien ventilé. Gardez l'appareil éloigné du feu et des étincelles. Le non-respect de cette consigne pourrait entraîner la mort ou des blessures graves.

(000105)

AU MOMENT D'AJOUTER DU CARBURANT

- Éteindre la laveuse à haute pression et laisser refroidir au moins deux (2) minutes avant de retirer le capuchon du carburant. Dévissez le capuchon pour libérer la pression du réservoir.
- Remplir le réservoir de carburant à l'extérieur.
- NE PAS trop remplir le réservoir. Laisser de la place pour l'expansion du carburant.

BRANCHER LE TUYAU ET L'APPROVISIONNEMENT D'EAU À LA POMPE

REMARQUE :

NE PAS faire fonctionner la pompe si l'alimentation en eau n'est pas raccordée et ouverte. La garantie sera annulée si l'équipement est endommagé par suite du non-respect de cette instruction.

REMARQUE :

Retirez et jetez le capuchon de transport de l'entrée d'eau de la pompe avant d'attacher le tuyau.

1. Laisser couler l'eau avec votre tuyau d'arrosage pendant 30 secondes pour nettoyer tous les débris.
2. Avant de brancher le tuyau de jardin à l'entrée de l'eau, inspecter le tamis d'entrée avant d'installer (A) (Figure 11). Le cône vers l'extérieur. Nettoyer le filtre s'il contient des débris ou remplacer s'il est endommagé. NE PAS faire fonctionner la laveuse à pression si le filtre d'entrée est endommagé.

IMPORTANT : NE PAS siphonner de l'eau stagnante pour l'approvisionnement d'eau. Utilisez SEULEMENT de l'eau froide (moins de 100 °F). L'approvisionnement d'eau doit être suffisante pour traiter plus de 3,8 gallons par minute et pas moins de 30 psi.

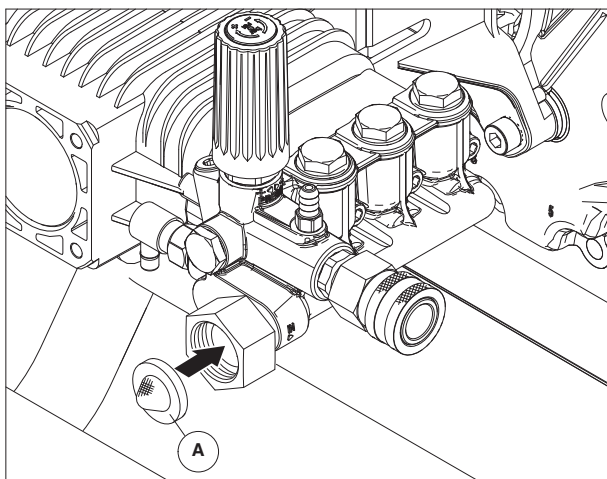
Configuration

REMARQUE :

L'utilisation d'une soupape unidirectionnelle (brise-vide ou clapet antiretour) à l'entrée de la pompe peut entraîner des dommages à la pompe ou au connecteur d'entrée.

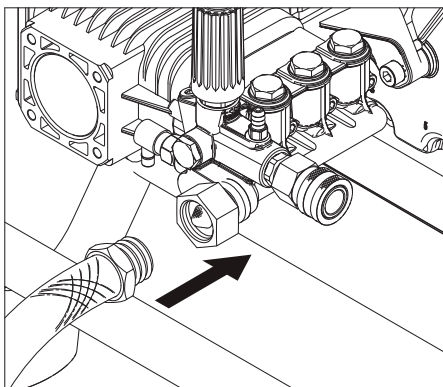
- Il DOIT y avoir au moins dix pieds de tuyau d'arrosage sans restriction entre l'entrée de la laveuse à pression et tout autre appareil, comme une brise-vide ou un clapet antiretour.
- La garantie sera annulée si l'équipement est endommagé par suite du non-respect de cette instruction.

Figure 11 – Installer le filtre d'entrée



3. Brancher le tuyau d'arrosage (à ne pas dépasser 50 pieds de longueur) à l'entrée d'eau (Figure 12). Serrer à la main.

Figure 12 – Brancher le tuyau d'arrosage



⚠ AVERTISSEMENT

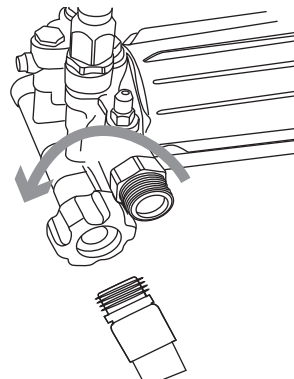
Perte de vision. Portez toujours des lunettes de sécurité lorsque vous utilisez cet appareil. Le non-respect de cette consigne pourrait entraîner une perte de vision permanente.

(000101)

- Toujours porter des lunettes de sécurité lors de l'utilisation de ce matériel ou dans la zone où ce matériel est utilisé.
- Avant de démarrer la laveuse à pression, veiller à porter des lunettes de sécurité adaptées.
- NE JAMAIS substituer les verres de sécurités par des lunettes de sécurité.

4. Brancher la lance au pistolet de pulvérisation (Figure 13). Serrer à la main.

Figure 13 - Attacher la lance



000119

5. Brancher l'extrémité du tuyau à haute pression à la base du pistolet de pulvérisation (Figure 14).



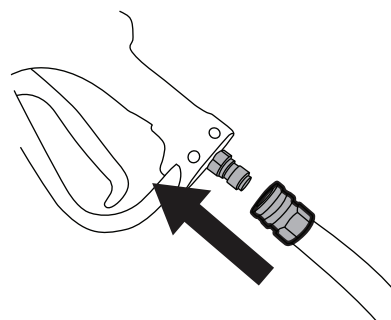
⚠ DANGER

Injection de fluide. Cet appareil produit des jets de fluide haute pression qui peuvent percer la peau. Une injection de fluide peut entraîner la mort ou des blessures graves.

(000106)

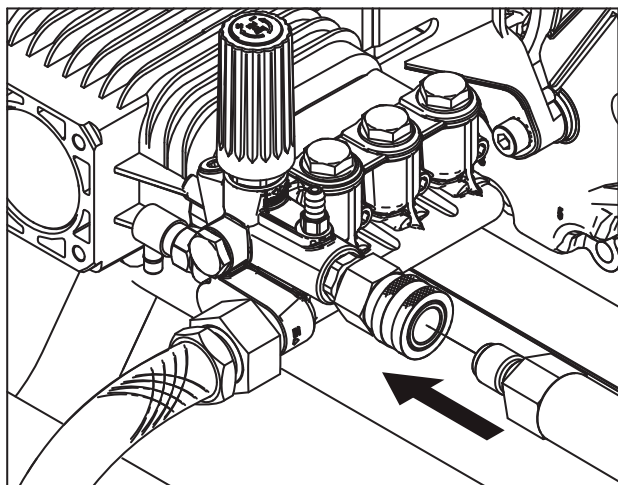
- NE JAMAIS brancher le tuyau à haute pression à la lance.
- Toujours garder le tuyau à haute pression raccordé à la pompe et au pistolet de pulvérisation lorsque le système est sous pression.
- Toujours s'assurer que le pistolet de pulvérisation, les buses et les accessoires sont bien fixés.

Figure 14 – Brancher le tuyau au pistolet de pulvérisation



6. Brancher le tuyau à haute pression à la pompe (dérouler le tuyau avant de brancher à la pompe ou au pistolet de pulvérisation) (Figure 15).

Figure 15 – Brancher le tuyau à haute pression à la pompe



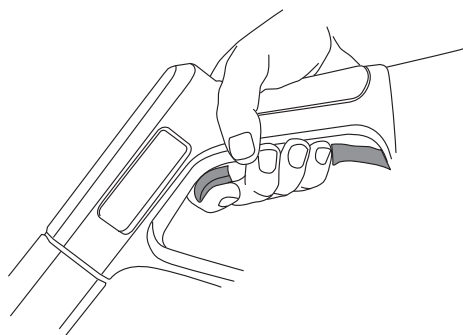
7. Mettez en MARCHE l'eau, appuyez sur la gâchette afin de purger l'air dans le système de la pompe (Figure 16).

MISE EN GARDE

Domage à l'équipement. Le tuyau peut être endommagé s'il entre en contact avec un silencieux chaud. Gardez le tuyau loin du silencieux lorsque vous utilisez l'appareil.

(000124)

Figure 16 - Appuyer sur la gâchette



000123

COMMENT UTILISER LES BUSES

Le raccord rapide sur la lance de buse vous permet de changer entre les différentes buses. Les buses peuvent être modifiées lorsque la laveuse à pression est en fonctionnement, une fois que la gâchette du pistolet de pulvérisation est verrouillée à la position de sécurité. Les buses modifient la pression et le jet, comme indiqué.

- Pour un nettoyage plus efficace, garder la buse de 8 à 24 pouces (20 à 61 cm) éloignée de la surface à nettoyer.
- Si vous avez la buse trop près, surtout avec une buse à haute pression, vous risquez d'endommager la surface que vous nettoyez.



DANGER

Injection de fluide. Cet appareil produit des jets de fluide haute pression qui peuvent percer la peau. Une injection de fluide peut entraîner la mort ou des blessures graves.

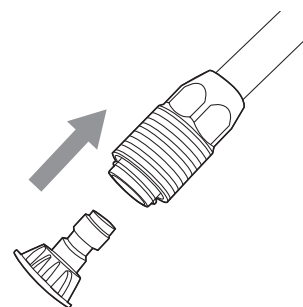
(000106)

- NE JAMAIS échanger les buses sans engager le verrou de la gâchette du pistolet de pulvérisation.
- NE PAS tordre les buses pendant la pulvérisation.

Utiliser les instructions suivantes pour changer les buses :

1. Retirer le collier sur le raccord rapide et ensuite la buse. Entreposer les buses dans le support de rangement d'accessoires (Figure 17).

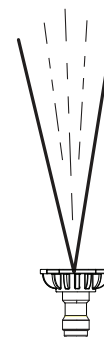
Figure 17 - Buses



000125

2. Choisissez la buse désirée :
 3. Tirer sur le collier, insérer la nouvelle buse et relâcher le collier. Tirez sur la buse pour vous assurer qu'elle est bien en place.
- La BUSE BLANCHE est utilisée pour un rinçage délicat (pression faible et débit plus élevé), pour le nettoyage doux des voitures/camions, bateaux, véhicules de camping, mobilier de jardin, équipement d'entretien de pelouse, etc. (Figure 18).

Figure 18 – Buse à pression de lavage (blanc)



- La BUSE VERT est pour un rinçage générale (pression moyenne et débit moyen), idéal pour la plupart des nettoyages tout usage comme les entrées, les patio en brique, es terrasses en bois, les entrées de cour et les trottoirs, les planchers des garages, etc. (Figure 19).

Figure 19 – Buse à pression de nettoyage (vert)



- La buse jaune est conçue pour effectuer un rinçage moyen (pression plus élevée et débit moyen), idéal pour éliminer les taches sur des surfaces dures et poreuses comme les allées en béton, les sols de garage et les patios de brique. Sélectionnez la buse jaune (Figure 20).

Figure 20 – Buse à pression ciblée (jaune)



- La BUSE ROUGE est pour un rinçage maximale (pression plus élevée et débit plus bas), pour les surfaces plus rebelles ou difficiles à atteindre comme les surfaces du deuxième étage, l'enlèvement de peinture, les taches d'huile, l'élimination de la rouille ou d'autres substances tenaces (du goudron, de la gomme, de la graisse, de la cire, etc.) (Figure 21).

⚠ MISE EN GARDE

Cette buse peut endommager la surface de travail si elle est maintenue trop près ou au même endroit pendant une longue période.

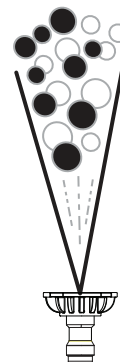
(000125)

Figure 21 – Buse à pression de soufflage (rouge)



- Utiliser la BUSE NOIRE lorsque vous appliquez du détergent (Figure 22). Utiliser UNIQUEMENT des savons/détergents sécuritaires de la laveuse à pression pour aider à éliminer la saleté tenace sur une variété de surfaces.

Figure 22 - Buse pour détergent (noire)



NETTOYER ET UTILISER DU DÉTERGENT

⚠ AVERTISSEMENT

Les produits chimiques peuvent causer des lésions corporelles et des dommages matériels.

(000126)

- NE JAMAIS utiliser du liquide caustique avec la laveuse à pression
- Utiliser UNIQUEMENT des savons/détergents sécuritaires de la laveuse à pression. Suivre toutes les instructions du fabricant.

Pour appliquer le détergent, suivez les étapes suivantes :

1. Revoir l'utilisation appropriée des buses.
2. Préparer la solution de détergent comme requis pour le travail dans un récipient situé à proximité du tuyau à siphon.
3. S'assurer que le tuyau à siphon reste totalement immergé dans le détergent.

REMARQUE :

S'assurer que le filtre reste totalement immergé dans le détergent quand vous utilisez le détergent.

REMARQUE :

Le contact avec le pot d'échappement chaud peut endommager le tuyau à siphon du détergent.

4. Lorsque vous insérez le siphon dans une bouteille de solution de détergente, acheminez le tuyau afin de prévenir un contact malencontreusement avec le pot d'échappement chaud.
5. Assurez-vous que la buse de détergent noire est installée.

REMARQUE :

Le détergent ne peut pas être appliqué avec les buses à haute pression (jaune, blanche, verte ou rouge). Utiliser uniquement la buse noire avec du détergent.

6. Confirmer que toutes les instructions de configuration ont été suivies.

REMARQUE :

Avant de démarrer le moteur, il est impératif de raccorder tous les tuyaux.

- La pompe sera endommagée si le moteur est démarré en l'absence de tuyaux branchés et l'alimentation d'eau.
 - La garantie sera annulée si l'équipement est endommagé par suite du non-respect de ces instructions.
7. Démarrer le moteur en suivant les instructions Comment Démarrer Votre Laveuse à Pression.
 8. Appliquer le détergent sur une surface sèche, à partir de la partie inférieure de la zone à être lavée et travailler vers la partie supérieure en utilisant des mouvements longs, uniformes, se chevauchant.
 9. Laissez le détergent « tremper » de 3 à 5 minutes avant de laver et rincer. Rapprochez si nécessaire pour ne pas permettre que la surface se sèche. NE PAS laisser le détergent sécher sur la surface que vous nettoyez (pour éviter les marques).

IMPORTANT : Vous devez vider le système à siphon du détergent après chaque utilisation en plaçant le filtre dans un seau d'eau propre, puis démarrez la laveuse à basse pression pendant 1-2 minutes.

RINÇAGE DE LA LAVEUSE À PRESSION

1. Retirer la buse de détergent noire de la lance.
2. Sélectionner et installer la buse à haute pression souhaitée suivant les instructions Comment utiliser les buses.
3. Diriger le pistolet de pulvérisation dans une direction sécuritaire et jamais vers les personnes, les animaux et les plants. Appuyer sur la gâchette afin de purger des produits chimiques restants dans le système.
4. Tenir le pistolet de pulvérisation à une distance sécuritaire de la zone que vous désirez pulvériser.



⚠ AVERTISSEMENT

Risque de chute. L'utilisation de cet appareil crée des zones humides, ce qui augmente les risques de chute. Soyez conscient des conditions de la zone de travail. Une chute peut entraîner la mort ou des blessures graves.

(000112)



⚠ AVERTISSEMENT

Risque de chute. N'utilisez pas cet appareil ni aucun de ses composants sur des surfaces élevées. Cela pourrait entraîner une chute, des blessures graves ou la mort.

(000114)



⚠ AVERTISSEMENT

Risque lié au lanceur à rappel. Le cordon du lanceur à rappel pourrait se rétracter de façon inattendue si la pression de l'eau n'est pas correctement relâchée dans la pompe, créant ainsi un effet de rebond. Un effet de rebond peut entraîner la mort ou des blessures graves. (000113)

- Utiliser uniquement sur une surface équilibrée.
 - Ne pas utiliser sur une surface élevée pour prévenir le risque d'une chute grave.
 - Tenir fermement le pistolet de pulvérisation à deux mains lors de l'utilisation du jet à haute pression pour éviter des blessures quand le pistolet de pulvérisation fait un effet de rebond.
5. Appliquer un jet à haute pression sur une petite surface, puis vérifier la surface en cas de dommages. S'il n'y a pas de dommages, vous pouvez considérer qu'il est acceptable de continuer à rincer.
 6. Commencer en haut de la zone à rincer et continuer vers le bas en faisant chevaucher les passes, comme vous avez fait pour le nettoyage.

NETTOYER LE TUYAU À SIPHON DE DÉTERGENT

Si vous avez utilisé le tuyau à siphon de détergent, vous devez le rincer avec de l'eau propre avant d'arrêter le moteur.

1. Placer le filtre/tuyau de siphon de détergent dans un seau rempli d'eau propre.
2. Retirer la buse à haute pression de la rallonge de buse.
3. Sélectionner et installer la buse de détergent noire suivant les instructions Comment utiliser les buses.
4. Rincer pendant 1 à 2 minutes.
5. Arrêter le moteur suivant les instructions Comment arrêter la laveuse à pression et éteindre l'approvisionnement d'eau.
6. TOUJOURS diriger le pistolet de pulvérisation dans une direction sécuritaire, appuyer sur la gâchette du pistolet de pulvérisation pour relâcher la haute pression de l'eau retenue. Engager le verrou de la gâchette lorsqu'il n'est pas utilisé.

IMPORTANT : Le pistolet de pulvérisation retient la haute pression de l'eau, même lorsque le moteur est arrêté et l'eau est débranchée, ce qui peut causer des blessures.



⚠ DANGER

Injection de fluide. Cet appareil produit des jets de fluide haute pression qui peuvent percer la peau. Une injection de fluide peut entraîner la mort ou des blessures graves.

(000106)

- Toujours garder le tuyau à haute pression raccordé à la pompe et au pistolet de pulvérisation lorsque le système est sous pression.
- TOUJOURS diriger le pistolet de pulvérisation dans une direction sécuritaire, presser la gâchette du pistolet de pulvérisation pour relâcher la haute pression chaque fois que vous arrêtez le moteur. Engager le verrou de la gâchette lorsqu'il n'est pas utilisé.

FONCTIONNEMENT

Si vous avez des problèmes avec le fonctionnement de votre laveuse pression, veuillez contacter le Service à la clientèle de Generac au 1-888-436-3722.

EMPLACEMENT DE LA LAVEUSE À PRESSION

Dégagement et circulation d'air



⚠ DANGER

Asphyxie. Le moteur en marche produit du monoxyde de carbone, un gaz inodore, incolore et toxique. Le monoxyde de carbone, s'il n'est pas évité, entraînera la mort ou des blessures graves.

(000103)

REMARQUE :

Pour plus d'information, consulter les avertissement sur le monoxyde de carbone à la section Règles de sécurité.

Placer la laveuse à pression à l'extérieur dans une zone qui n'accumule pas des gaz d'échappement mortels. NE JAMAIS placer la laveuse à pression là où le gaz d'échappement pourrait s'accumuler et entrer à l'intérieur ou être tiré dans un édifice qui pourrait être occupé. Assurez-vous que le gaz d'échappement est tenu à l'écart de toutes les fenêtres, les portes, les entrées d'air ou d'autres ouvertures qui peuvent permettre aux gaz d'échappement d'être collectés dans un endroit restreint. Les vents dominants et des courants d'air doivent être pris en considération lorsque vous positionnez la laveuse à pression (Figure 23).

- Utiliser la laveuse à pression à l'extérieur SEULEMENT.
- Empêcher les gaz d'échappement d'entrer dans un espace confiné par les fenêtres, les portes, les entrées d'air ou d'autres ouvertures.
- Ne jamais démarrer ni faire tourner le moteur à l'intérieur, dans un véhicule ou un espace fermé, même si les fenêtres et les portes sont ouvertes.

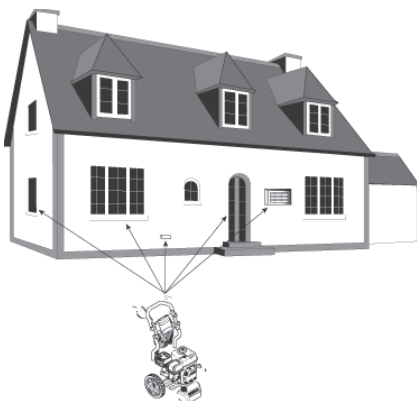
⚠ AVERTISSEMENT



La chaleur/les gaz d'échappement peuvent enflammer les combustibles, des structures ou endommager le réservoir de carburant provoquant un incendie.

- Garder au moins 5 pieds (152 cm) de dégagement sur tous les côtés de la laveuse à pression, y compris la partie supérieure.

Figure 23 - Dégagements de construction



000126

LISTE DE CONTRÔLE AVANT DE DÉMARRER LE MOTEUR

1. Assurez-vous de lire et de comprendre la section Sécurité de l'utilisateur et la section Fonctionnement avant d'utiliser la laveuse à pression.
2. Vérifier que l'huile est au niveau approprié dans le carter du moteur et que le carburant a été ajouté au réservoir de carburant.
3. Examiner l'assemblage de l'unité et s'assurer que les raccords sont correctement sécurisés. Assurez-vous également qu'il n'y ait pas de déformations, de coupures, ou de dommages au tuyau à haute pression.
4. Fournir un approvisionnement d'eau approprié à un débit approprié, nettoyer les filtres de débris et confirmer que le système est libre d'air.
5. Confirmer que l'unité est solide au niveau du sol et que l'escape de travail environnant est propre.

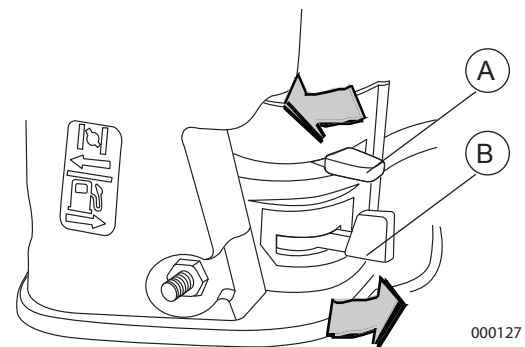
COMMENT DÉMARRER VOTRE LAVEUSE À PRESSION

REMARQUE :

NE PAS faire fonctionner la pompe si l'alimentation en eau n'est pas raccordée et ouverte. La garantie sera annulée si l'équipement est endommagé par suite du non-respect de ces instructions.

1. Déplacez le robinet de carburant (B) à la position « ON » (figure 24).
2. Déplacez le levier d'étrangleur (A) à la position « CLOSE »

Figure 24 - Robinet à carburant



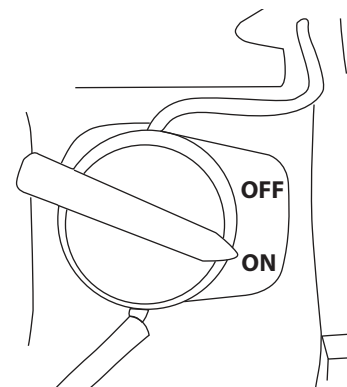
000127

REMARQUE :

Pour un moteur chaud, vérifiez que le levier d'étrangleur est à la position « OPEN ».

3. Placer l'interrupteur du moteur à la position « ON » (o) (Figure 25).

Figure 25 - La position ON



000128



⚠️ AVERTISSEMENT

Perte de vision. Portez toujours des lunettes de sécurité lorsque vous utilisez cet appareil. Le non-respect de cette consigne pourrait entraîner une perte de vision permanente.

(000101)

- Toujours porter des lunettes de sécurité lors de l'utilisation de ce matériel ou dans la zone où ce matériel est utilisé.
 - Avant de démarrer la laveuse à pression, veiller à porter des lunettes de sécurité adaptées.
 - NE JAMAIS substituer les verres de sécurités par des lunettes de sécurité.
4. Relâchez la pression contenue dans le pistolet de pulvérisation.
 5. Placer le pied sur le repose-pieds ou autrement assurer l'unité du mouvement lorsque vous reculez.
 6. Lorsque vous démarrez le moteur, saisissez la poignée du démarreur (Figure 26) et tirez doucement jusqu'à ce que vous sentiez une résistance. Ensuite tirez rapidement pour mettre en marche le moteur.

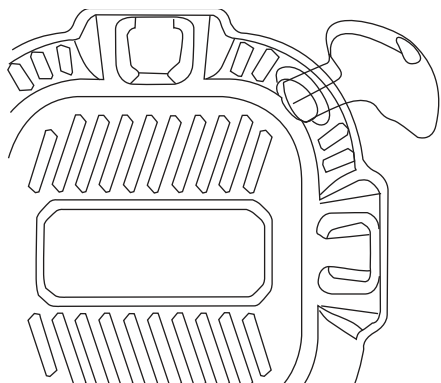


⚠️ AVERTISSEMENT

Risque lié au lanceur à rappel. Le cordon du lanceur à rappel pourrait se rétracter de façon inattendue si la pression de l'eau n'est pas correctement relâchée dans la pompe, créant ainsi un effet de rebond. Un effet de rebond peut entraîner la mort ou des blessures graves. (000113)

- NE JAMAIS tirer sur le cordon de démarrage sans relever premièrement la pression du pistolet de pulvérisation.
 - Lorsque vous démarrez le moteur, tirer sur le cordon jusqu'à ce que vous sentiez une résistance et ensuite tirer rapidement pour éviter l'effet de rebond.
 - Après chaque tentative de démarrage, lorsque le moteur ne fonctionne pas, toujours diriger le pistolet de pulvérisation dans une direction sécuritaire et presser la gâchette du pistolet de pulvérisation pour relâcher la haute pression.
 - Tenir fermement le pistolet de pulvérisation à deux mains lors de l'utilisation du jet à haute pression pour éviter des blessures quand le pistolet de pulvérisation fait un effet de rebond.
7. Retourner la poignée du démarreur lentement. NE PAS laisser la corde faire un « effet rebond » contre le démarreur.

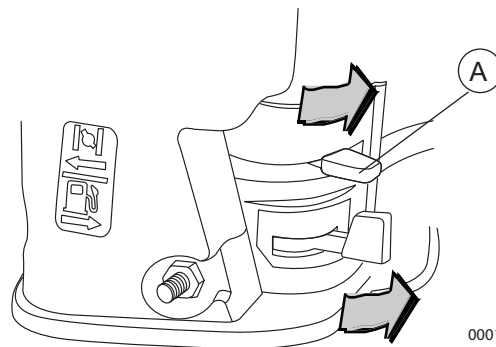
Figure 26 - Mettre le moteur en marche



000129

8. Lorsque le moteur démarre, déplacer lentement le levier d'étrangleur à la position « OPEN » (A) pendant le chauffage du moteur. Si le moteur hésite, déplacer le levier d'étrangleur à la position « CLOSE », puis « OPEN » (Figure 27).

Figure 27 - Levier d'étrangleur



000127

9. Après chaque tentative de démarrage, lorsque le moteur ne démarre pas, toujours pointer le pistolet dans une direction sans danger et appuyer sur la détente pour libérer la haute pression d'eau.
10. Si le moteur ne démarre pas au bout de six tentatives, déplacer le levier à la position « OPEN », et répéter les étapes 6 à 10.



⚠️ DANGER

Injection de fluide. Cet appareil produit des jets de fluide haute pression qui peuvent percer la peau. Une injection de fluide peut entraîner la mort ou des blessures graves.

(000106)

- NE PAS laisser les ENFANTS utiliser la laveuse à pression ou jouer à proximité.
- Toujours garder le tuyau à haute pression raccordé à la pompe et au pistolet de pulvérisation lorsque le système est sous pression.
- NE JAMAIS diriger le pistolet de pulvérisation vers les personnes, les animaux ou les dispositifs électriques. Des blessures sérieuses surviendront.
- NE PAS sécuriser le pistolet de pulvérisation à la position ouverte.
- NE PAS laisser le pistolet de pulvérisation sans surveillance lorsque l'appareil est en fonctionnement.
- NE JAMAIS utiliser un pistolet de pulvérisation qui n'a pas de verrouillage de gâchette ou une protection de gâchette en place et en état de fonctionnement.
- Toujours s'assurer que le pistolet de pulvérisation, les buses et les accessoires sont bien fixés.



⚠️ AVERTISSEMENT

Surfaces chaudes. Lorsque vous utilisez l'appareil, ne touchez pas aux surfaces chaudes. Gardez l'appareil éloigné des matériaux combustibles lorsqu'il fonctionne. Le contact avec des surfaces chaudes peut entraîner des brûlures graves ou un incendie. (000108)



⚠️ AVERTISSEMENT

Risque d'incendie. Les surfaces chaudes peuvent enflammer des matériaux combustibles et causer un incendie. Un incendie peut entraîner la mort ou des blessures graves.

(000110)

Fonctionnement

- NE PAS toucher les pièces chaudes et ÉVITER les gaz d'échappement chauds.
- Laisser refroidir l'appareil avant de toucher.
- Garder au moins cinq (5) pieds (152 cm) de dégagement sur tous les côtés de la laveuse à pression, y compris la partie supérieure.
- L'utilisation ou le fonctionnement du moteur sur tout terrain couvert de forêt, broussailles ou herbes, est une violation du Code de ressources publiques de l'État de la Californie, Section 4442, à moins que le système d'échappement est équipé d'un pare-étincelles, tel que défini dans la Section 4442, maintenu en bon état de fonctionnement. D'autres États ou juridictions fédérales peuvent avoir des lois similaires.
- Les pièces de rechange doivent être les mêmes et installée dans la même position que les pièces originales.

SYSTÈME DE REFROIDISSEMENT AUTOMATIQUE (SUPPRESSION THERMIQUE)

Si vous faites fonctionner le moteur de votre laveuse à pression pendant 3-5 minutes sans appuyer sur la gâchette du pistolet de pulvérisation, circulation d'eau dans la pompe peut atteindre des températures supérieures à 125°F. Le système se met en marche pour refroidir la pompe en **évacuant l'eau chaude sur le sol**.

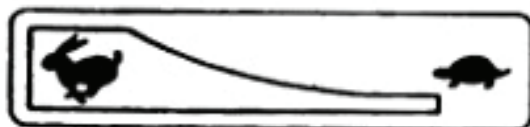
RÉGLAGE DE PRESSION AJUSTABLE

Votre laveuse à pression est équipée d'une caractéristique vous permettant d'ajuster le réglage de pression. La pompe est pré-réglée à l'usine pour obtenir la pression la plus haute possible. Pour diminuer la pression, tourner le bouton de contrôle de la pression dans le sens contraire des aiguilles d'une montre jusqu'à la pression désirée. Tourner le bouton de contrôle de pression jusqu'à ce qu'il s'arrête mettra la pression sur le réglage d'usine.

COMMENT ARRÊTER VOTRE LAVEUSE À PRESSION

1. Relâcher la gâchette du pistolet de pulvérisation.
2. Placer le levier de commande du régulateur à la position « LOW » (tortue) (Figure 28).

Figure 28 - Position du régulateur



Élevé

Bas

3. Placer l'interrupteur ON/OFF (Marche/Arrêt) du moteur à la position « Arrêt ».
4. TOUJOURS diriger le pistolet de pulvérisation dans une direction sécuritaire et appuyer sur la gâchette du pistolet de pulvérisation pour relâcher la haute pression de l'eau retenue. Engager le verrou de la gâchette lorsqu'il n'est pas utilisé.
5. FERMER l'alimentation d'eau.

IMPORTANT : Le pistolet de pulvérisation retiennent la haute pression de l'eau, même lorsque le moteur est arrêté et l'eau est débranchée, ce qui peut causer des blessures.



⚠ DANGER

Injection de fluide. Cet appareil produit des jets de fluide haute pression qui peuvent percer la peau. Une injection de fluide peut entraîner la mort ou des blessures graves.

(000106)

- Toujours garder le tuyau à haute pression raccordé à la pompe et au pistolet de pulvérisation lorsque le système est sous pression.
- TOUJOURS diriger le pistolet de pulvérisation dans une direction sécuritaire, presser la gâchette du pistolet de pulvérisation pour relâcher la haute pression chaque fois que vous arrêtez le moteur. Engager le verrou de la gâchette lorsqu'il n'est pas utilisé.

RECOMMANDATIONS D'ENTRETIEN

Un entretien régulier améliorera les performances et prolongera la vie de la laveuse à pression. Voir un dépositaire qualifié pour tout service.

La garantie de la laveuse à pression ne couvre pas les articles qui ont été sujets à une mauvaise utilisation ou une négligence. Pour recevoir la contrepartie totale de la garantie, l'utilisateur doit entretenir l'outil comme démontré dans ce manuel, y compris un entreposage approprié tel que décrit à la section Entreposage d'hiver et Entreposage à long terme.

REMARQUE :

Si vous avez des questions à propos du remplacement des composants de votre laveuse à pression, veuillez appeler au 1-888-436-3722 pour avoir de l'assistance.

Certains réglages devront être faits périodiquement pour entretenir correctement votre laveuse à pression.

Tous les services et les réglages devraient être effectués au moins une fois par saison. Suivre les exigences dans le tableau Programme d'entretien.

REMARQUE :

Une fois par an, vous devez nettoyer ou remplacer la bougie, nettoyer ou remplacer le filtre à air, et vérifier le pistolet de pulvérisation et l'assemblage de la rallonge de buse pour l'usure. Une nouvelle bougie et filtre à air propre assurent un bon mélange d'air-carburant et aident au moteur à mieux fonctionner et à durer plus longtemps.

PROGRAMME D'ENTRETIEN

Respecter les intervalles ou horaires du calendrier, selon la première occurrence. Un entretien plus fréquent est nécessaire lorsque l'appareil fonctionne dans des conditions défavorables.

Premières 5 heures
Changez l'huile à moteur
Chaque 8 heures ou à tous les jours
Vérifier/nettoyer le filtre d'entrée de l'eau*
Vérifier le tuyau à haute pression
Vérifier le filtre/tuyau à siphon de détergent
Vérifier le pistolet de pulvérisation et l'assemblage pour des fuites
Nettoyez le débris
Vérifier le niveau d'huile du moteur
Vérifier le niveau d'huile de la pompe
Chaque 50 heures ou chaque saison
Vérifier/nettoyer le filtre à air de la laveuse**
Changez l'huile à pompe**
Changez l'huile à moteur**
Vérifier le pot d'échappement et le pare-étincelles*
Chaque 100 heures ou chaque saison
Service pour la bougie d'allumage
* Nettoyer s'il y a une obstruction. Remplacer s'il y a une perforation ou est déchiré.
** Service plus souvent dans un milieu sale ou poussiéreux.

CONTRÔLE DES ÉMISSIONS

L'entretien, le remplacement ou la réparation des dispositifs et systèmes antipollution peuvent être exécutés par toute entreprise de réparation de moteurs non routiers ou tout individu. Toutefois, pour obtenir le service de contrôle des émissions « gratuitement », le travail doit être effectué par un dépositaire autorisé. Voir la garantie d'émissions.

ENTRETIEN DE LA LAVEUSE À PRESSION

Nettoyer le débris

Par jour ou avant l'utilisation, nettoyer le débris accumulé du système de nettoyage. Garder la tringlerie, les freins et les contrôles propres. Garder la zone autour et derrière le pot d'échappement libre de tout débris combustibles. Vérifier les fentes et les ouvertures d'air de refroidissement sur la laveuse à pression. Ces ouvertures doivent être maintenues propres et sans obstructions.

Les pièces de la laveuse à pression doivent être gardées propres pour réduire les risques de surchauffe et d'inflammation du débris accumulé.

- Employez un tissu humide pour essuyer les surfaces extérieures.

REMARQUE :

Un traitement inadéquat de la laveuse à pression peut l'endommager et réduire sa durée de vie utile.

- NE PAS insérer aucun objet à travers les fentes de refroidissement.
- Utiliser une brosse à soies, doux pour enlever l'accumulation de saleté, de l'huile, etc.
- Utiliser un aspirateur pour ramasser la saleté superficielle et les débris.

VÉRIFIER ET NETTOYER LE TAMIS DE FILTRAGE D'ENTRÉE

Contrôler le filtre à l'entrée d'eau de la pompe. Nettoyer le tamis s'il est colmaté ou remplacer le tamis s'il est endommagé.

VÉRIFIER LES TUYAUX À HAUTE PRESSION

Le tuyau à haute pression peut fuir en raison de l'usure, de pincements ou d'une mauvaise utilisation. Vérifier le bon état des tuyaux avant chaque utilisation. Vérifier l'absence de coupures, de fuites, d'usure ou de renflement du revêtement, de détérioration et de jeu dans les raccords. Remplacer le tuyau immédiatement au moindre signe de détérioration.



▲ DANGER

Injection de fluide. Cet appareil produit des jets de fluide haute pression qui peuvent percer la peau. Une injection de fluide peut entraîner la mort ou des blessures graves.

(000106)

- NE JAMAIS tenter de réparer le tuyau à haute pression. Le remplacer.
- Le tuyau de remplacement DOIT avoir ou dépasser la pression maximum de l'appareil

VÉRIFIER LE TUYAU À SIPHON DE DÉTERGENT

Contrôler le filtre du tuyau de détergent et le nettoyer si nécessaire. Le tuyau doit être fixé solidement sur le raccord cranté. Contrôler l'absence de fuites et de déchirures. Le cas échéant, remplacer le filtre ou le tuyau endommagé.

VÉRIFIER LE PISTOLET DE PULVÉRISATION

Examiner le raccordement du tuyau au pistolet et s'assurer de sa solidité. Contrôler le fonctionnement de la gâchette en la manœuvrant et en s'assurant qu'elle revient en position de repos. Remplacer le pistolet de pulvérisation immédiatement s'il ne fait pas « l'effet rebond ».

ENTRETIEN DE LA BUSE

Une sensation d'impulsion tout en appuyant sur la gâchette du pistolet de pulvérisation peut être causée par une pression excessive de la pompe. Cet excès de pression dans la pompe est souvent dû à l'engorgement ou au blocage d'une buse par des corps étrangers, tels que de la poussière, etc. Pour remédier le problème, nettoyer immédiatement la buse suivant les instructions ci-dessous :

1. Arrêter le moteur et couper l'alimentation en eau.
2. **TOUJOURS** diriger le pistolet de pulvérisation dans une direction sécuritaire, appuyer sur la gâchette du pistolet de pulvérisation pour relâcher la haute pression de l'eau retenue.



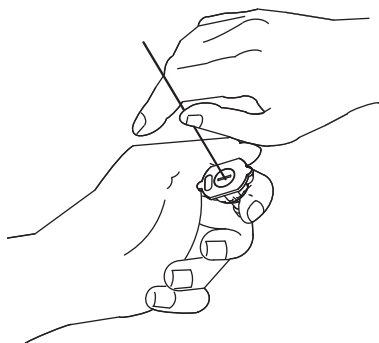
▲ DANGER

Injection de fluide. Cet appareil produit des jets de fluide haute pression qui peuvent percer la peau. Une injection de fluide peut entraîner la mort ou des blessures graves.

(000106)

- Toujours garder le tuyau à haute pression raccordé à la pompe et au pistolet de pulvérisation lorsque le système est sous pression.
 - **TOUJOURS** diriger le pistolet de pulvérisation dans une direction sécuritaire, presser la gâchette du pistolet de pulvérisation pour relâcher la haute pression chaque fois que vous arrêtez le moteur. Engager le verrou de la gâchette lorsqu'il n'est pas utilisé.
3. Retirer la buse de l'extrémité de la rallonge de buse.
 4. Utiliser un trombone pour libérer tout matériel étranger obstruant ou limitant la buse (Figure 29).

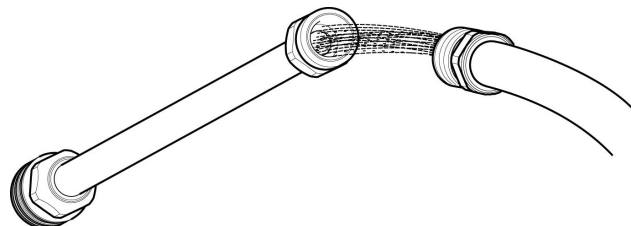
Figure 29 - Enlever le matériel étranger



000109

5. Enlever la lance du pistolet de pulvérisation.
6. En utilisant un tuyau d'arrosage, enlever le débris additionnel en rinçant à contre-débit avec de l'eau à travers de la lance (Figure 30) pendant 30 à 60 secondes.

Figure 30 - Lance à contre-débit



7. Réinstaller la buse dans la lance.
8. Rebrancher la lance au pistolet de pulvérisation.
9. Assurez-vous que le tuyau d'arrosage est branché à l'entrée d'eau de la pompe. Vérifier que le tuyau à haute pression est branché au pistolet de pulvérisation et à la pompe. Ouvrir l'eau.
10. Démarrer le moteur en suivant les instructions Comment démarrer votre laveuse à pression.
11. Contrôler la laveuse à pression en utilisant chaque buse à raccord rapide.

ENTRETIEN DE L'HUILE À POMPE

Changer l'huile à pompe toutes les cinquante (50) heures de fonctionnement.

1. Nettoyer la zone autour du capuchon de vidange d'huile (A) (Figure 31).
2. Retirer le capuchon de vidange d'huile. Égoutter l'huile complètement.
3. Installer le capuchon de vidange d'huile. Ne pas trop serrer.
4. Nettoyer la zone autour de la jauge d'huile (B).
5. Remplissez la pompe d'huile sans détergent SAE 30. Le niveau d'huile doit se situer entre le niveau « L » et « H » de la jauge d'huile (Figure 34). **Ne remplissez pas trop le réservoir.**
6. Installer la jauge d'huile et serrer fermement à la main.
7. Nettoyer toute éclaboussure d'huile.

Figure 31 - Vidange de l'huile à pompe

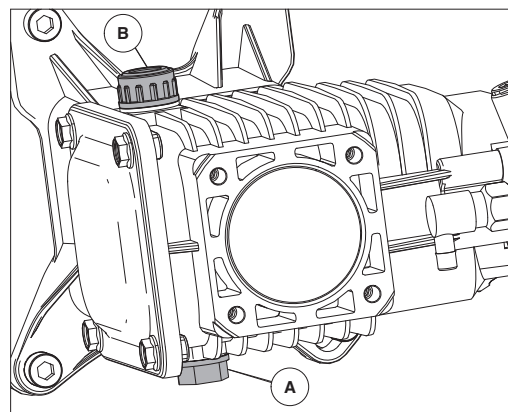
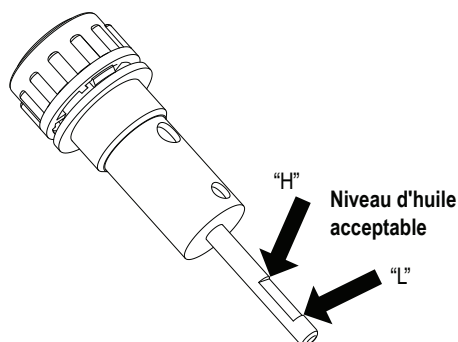


Figure 32 – Jauge



ENTRETIEN DU MOTEUR



⚠ DANGER

Décharge électrique. Le contact de l'eau avec une source d'alimentation, s'il n'est pas évité, entraînera la mort ou des blessures graves.

(000104)

POUR RÉGLER OU RÉPARER VOTRE LAVEUSE À PRESSION :

- Débrancher le fil de bougie d'allumage et l'écartier de sorte qu'il ne puisse toucher la bougie.

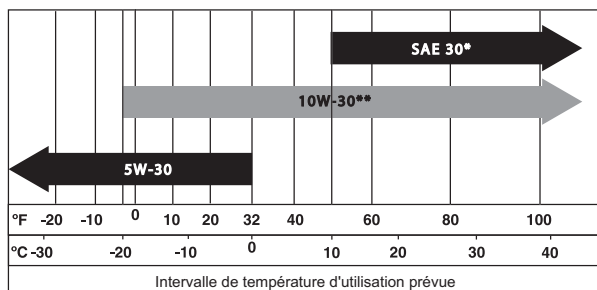
LORS DES ESSAIS D'ALLUMAGE :

- Utiliser un testeur de bougie d'allumage approuvé.
- NE PAS vérifier l'allumage lorsque la bougie est retirée.

RECOMMANDATIONS D'HUILE DE MOTEUR

Nous vous recommandons d'utiliser des huiles détergentes de haute qualité acceptable si elles sont classifiées pour le service SF, SG, SH, SJ ou supérieur. NE PAS utiliser aucun additif spécial.

La température extérieure détermine la viscosité de l'huile appropriée pour le moteur. Utiliser le tableau pour sélectionner la meilleure viscosité pour l'intervalle de température attendu.



* En dessous de 50 °F (10 °C), l'utilisation de SAE 30 entraînera un démarrage difficile.

** En dessus de 80 °F (27 °C) l'utilisation d'une huile 10W30 peut entraîner une augmentation de la consommation d'huile. Vérifier le niveau de l'huile plus fréquemment.

REMARQUE :

L'huile synthétique satisfaisant les spécifications ILSAC GF-2, la marque de certification API et le symbole de service API avec « SJ / CF ENERGY CONSERVATION » ou plus, est une huile acceptable à toutes les températures. L'utilisation d'huiles synthétiques ne modifie pas les intervalles de changement d'huile.

REMARQUE :

Le moteur est équipé d'un « Système d'alerte d'huile ». Le système va automatiquement arrêter le moteur avant que le niveau d'huile descende en dessous d'une limite sécuritaire. Pour éviter l'inconvénient d'un arrêt imprévu, toujours vérifier le niveau d'huile du moteur avant le démarrage.

VÉRIFIER LE NIVEAU D'HUILE

Le niveau d'huile doit être vérifié avant chaque utilisation ou au moins toutes les 8 heures de fonctionnement. Garder le niveau d'huile maintenu.

1. S'assurer que la laveuse à pression est sur une surface équilibrée.
2. Nettoyer le secteur situé autour du capuchon du réservoir d'huile (Figure 34).
3. Enlever le capuchon du réservoir d'huile et essuyer la jauge.
4. Insérer la jauge dans le col de remplissage mais ne pas la visser.
5. Vérifier que l'huile est au niveau approprié dans la jauge (Figure 35).
6. Remplacer et serrer le capuchon du réservoir d'huile fermement à la main.

AJOUTER L'HUILE À MOTEUR

1. S'assurer que la laveuse à pression est sur une surface équilibrée.
2. Vérifier le niveau d'huile comme décrit à la section Vérifier le niveau d'huile.
3. Si le niveau d'huile est bas, remplissez le réservoir jusqu'à atteindre le niveau de la jauge situé entre « L » et « H » (Figure 35).
4. Vérifier le niveau d'huile selon la section Vérifier le niveau d'huile.
5. Remplacer et serrer le capuchon du réservoir d'huile fermement à la main.

CHANGER L'HUILE À MOTEUR

Si vous utilisez votre laveuse à pression dans des conditions extrêmement sales ou poussiéreuses, ou dans des conditions climatiques extrêmement chaudes, changez l'huile plus souvent.

⚠ MISE EN GARDE

Évitez tout contact prolongé ou répété de la peau avec de l'huile de moteur usagée.

(000127)

- Il a été démontré que l'huile à moteur peut causer du cancer de la peau chez certains animaux de laboratoire.
- Lavez complètement les endroits exposés avec du savon et de l'eau.

⚠ MISE EN GARDE

Gardez hors de la portée des enfants.

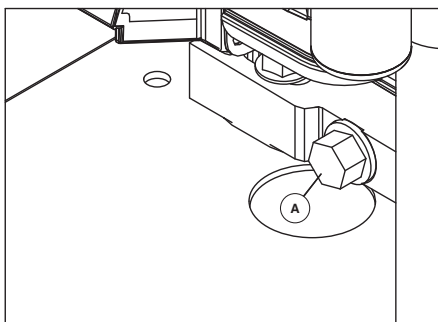
(000128)

- Ne polluez pas. Conservez les ressources. Déposer l'huile usagée dans un centre de collecte.

Changer l'huile lorsque le moteur est encore chaud du fonctionnement, de la manière suivante :

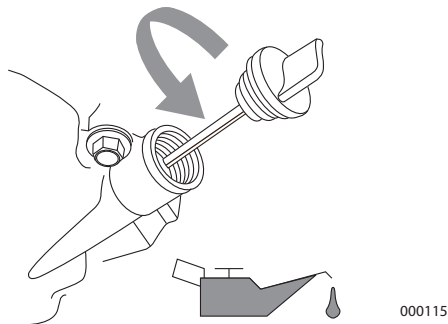
1. S'assurer que l'unité est sur une surface équilibrée.
2. Débrancher le fil de bougie d'allumage et l'écartier de sorte qu'il ne puisse toucher la bougie.
3. Nettoyer le secteur situé autour du capuchon de vidange de l'huile (A) (Figure 33). Le capuchon de vidange de l'huile est situé à la base du moteur, en face du carburateur.

Figure 33 – Capuchon de vidange de l'huile



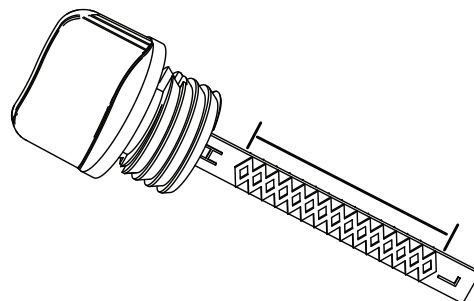
4. Enlever le capuchon du réservoir d'huile (Figure 36).
5. Retirer le capuchon de vidange de l'huile et vider toute l'huile dans un récipient approprié.
6. Réinstaller le capuchon de vidange de l'huile et serrer soigneusement.

Figure 34 - Remplir l'huile à moteur



7. Versez lentement l'huile dans l'ouverture du réservoir d'huile jusqu'à atteindre le niveau de la jauge situé entre « L » et « H » (Figure 35). **NE remplissez PAS trop.**

Figure 35 – Jauge



8. Installez la jauge d'huile et resserrez au doigt.
9. Nettoyez toute éclaboussure d'huile.
10. Jeter l'huile adéquatement selon tous les règlements locaux.

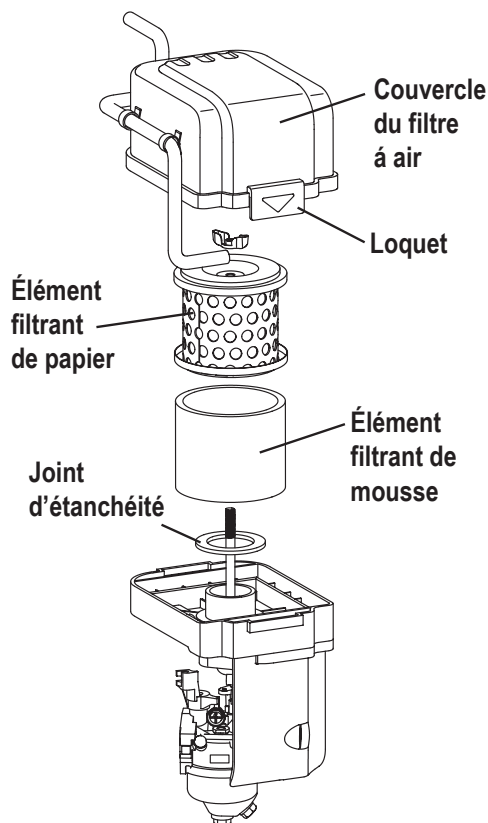
ENTRETIEN DU FILTRE À AIR

Votre moteur ne fonctionnera pas correctement et peut être endommagé si vous le faites fonctionner avec un filtre à air sale. L'entretenir plus souvent si l'appareil fonctionne en conditions poussiéreuses ou sales.

Pour entretenir le filtre à air, suivez les étapes suivantes :

1. Tirez sur le loquet du carter de la laveuse pour le retirer (Figure 36).
2. Desserrez l'écrou à oreilles.
3. Retirez délicatement l'ensemble filtrant.
4. Retirez le filtre en mousse.
5. Pour nettoyer la cartouche, tapotez-la délicatement sur une surface plate.
6. Réinstallez un filtre de mousse.
7. Installez une cartouche propre ou neuve.
8. Remettez l'écrou à oreilles et serrez-le.
9. Installez le couvercle en fermant le loquet.

Figure 36 - Entretien le filtre à air

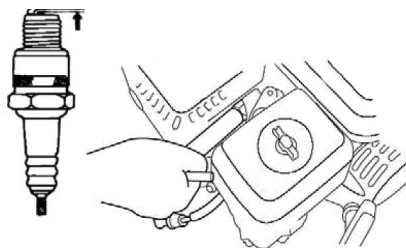


ENTRETIEN DE LA BOUGIE D'ALLUMAGE

Le changement de la bougie aidera le moteur à démarrer plus facilement et à mieux fonctionner.

1. Nettoyer le secteur situé autour de la bougie d'allumage.
2. Enlever et vérifier la bougie (Figure 37).
3. Vérifier l'écartement des électrodes à l'aide d'une jauge d'épaisseur à fils et réinitialiser l'écartement de bougie selon l'écartement recommandé si nécessaire (voir les spécifications).
4. Remplacer la bougie si les électrodes sont piquées, brûlées ou si la porcelaine est fissuré. Utiliser la bougie de rechange recommandée. Voir les spécifications.
5. Installer la bougie et serrer fermement.

Figure 37 - Changer la bougie d'allumage



000134

VÉRIFIER LE POT D'ÉCHAPPEMENT ET LE PARE-ÉTINCELLES

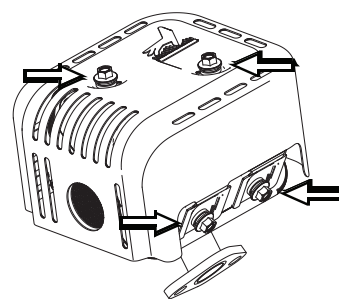
Vérifier le pot d'échappement pour toute fissure, corrosion ou d'autres dommages. Retirer le pare-étincelles, le cas échéant, et vérifier pour tout dommage ou obstruction de carbone. Si des pièces de remplacement sont nécessaires, assurez-vous d'utiliser uniquement des pièces de remplacement originales de l'appareil.

DÉPOSE DE L'ÉCRAN PARE-ÉTINCELLES

Outils nécessaires : Clé polygonale de 8 mm

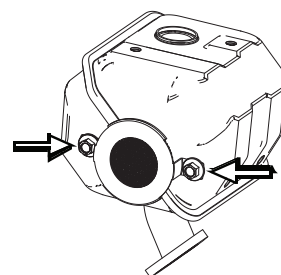
1. Retirez le bouclier thermique du silencieux en dévissant les quatre (4) boulons (A) (Figure 38).
2. Retirez le pare-étincelles du silencieux en desserrant les deux (2) boulons (B) (Figure 39).
3. Inspectez le pare-étincelles, remplacez-le s'il est déchiré, perforé ou abîmé (n° pièce OK1851). N'UTILISEZ JAMAIS UN ÉCRAN ABÎMÉ.
4. Si l'écran n'est pas abîmé, nettoyez-le avec un solvant commercial et remettez-le en place.

Figure 38 – Retirez le bouclier thermique



000135

Figure 39 – Retirez le pare-étincelles



000136



⚠ AVERTISSEMENT

Risque d'incendie. Les surfaces chaudes peuvent enflammer des matériaux combustibles et causer un incendie. Un incendie peut entraîner la mort ou des blessures graves.

(000110)

- NE PAS toucher les pièces chaudes et ÉVITER les gaz d'échappement chauds.
- Laisser refroidir l'appareil avant de toucher.
- Garder au moins 5 pieds (152 cm) de dégagement sur tous les côtés de la laveuse à pression, y compris la partie supérieure.

- L'utilisation ou le fonctionnement du moteur sur tout terrain couvert de forêt, broussailles ou herbes, est une violation du Code de ressources publiques de l'État de la Californie, Section 4442, à moins que le système d'échappement est équipé d'un pare-étincelles, tel que défini dans la Section 4442, maintenu en bon état de fonctionnement. D'autres États ou juridictions fédérales peuvent avoir des lois similaires. Contacter le fabricant de l'appareil d'origine, le distributeur ou le dépositaire afin d'obtenir un pare-étincelles conçu pour le système d'échappement installé sur ce moteur.
- Les pièces de rechange doivent être les mêmes et installées dans la même position que les pièces d'origines.

APRÈS CHAQUE UTILISATION

Il n'est pas conseillé de laisser de l'eau dans l'appareil pendant de longues périodes. Des sédiments ou des minéraux peuvent se déposer sur les pièces de la pompe et la rendre inopérante. Suivez ces procédures après chaque utilisation :

1. Arrêter le moteur, éteindre l'approvisionnement d'eau, diriger le pistolet dans une direction sécuritaire et appuyer sur la gâchette pour relâcher la haute pression et laisser refroidir le moteur.



⚠ DANGER

Injection de fluide. Cet appareil produit des jets de fluide haute pression qui peuvent percer la peau. Une injection de fluide peut entraîner la mort ou des blessures graves.

(000106)

- Toujours garder le tuyau à haute pression raccordé à la pompe et au pistolet de pulvérisation lorsque le système est sous pression.
- TOUJOURS diriger le pistolet de pulvérisation dans une direction sécuritaire, presser la gâchette du pistolet de pulvérisation pour relâcher la haute pression chaque fois que vous arrêtez le moteur. Engager le verrou de la gâchette lorsqu'il n'est pas utilisé.
2. Débrancher les tuyaux du pistolet de pulvérisation et de la sortie de haute pression sur la pompe. Vider l'eau des tuyaux, du pistolet de pulvérisation et de la lance. Utiliser un chiffon pour essuyer le tuyau.
3. Vider la pompe de tous les liquides pompés. Vérifier que l'interrupteur ON/OFF du moteur et que le robinet de carburant sont à la position OFF. Ensuite, tirez la poignée environ six fois. Cela devrait éliminer la plupart des liquides dans la pompe.
4. Conserver l'unité dans une zone propre et sèche.
5. Si elle est entreposée pendant plus de 30 jours, consultez la section Entreposage de longue durée.



⚠ DANGER

Explosion et incendie. Le carburant et ses vapeurs sont extrêmement inflammables et explosifs. Ajoutez du carburant dans un endroit bien ventilé. Gardez l'appareil éloigné du feu et des étincelles. Le non-respect de cette consigne pourrait entraîner la mort ou des blessures graves.

(000105)

ENTREPOSAGE D'ESSENCE OU D'UN ÉQUIPEMENT DONT LE RÉSERVOIR CONTIENT DE L'ESSENCE :

- NE PAS entreposer à proximité de fours, poêles, chauffe-eau, sèche-linge ou d'autres équipements susceptibles de comporter une veilleuse ou une source potentielle d'inflammation des vapeurs d'essence.

ENTREPOSAGE D'HIVER

REMARQUE :

Vous devez protéger l'appareil contre les températures de congélation.

- Le fait de ne pas effectuer ceci peut provoquer des dommages permanentes à la pompe et rendre votre appareil inutilisable.
- Les dommages provoqués par congélation ne sont pas couverts par la garantie.

Pour protéger l'appareil contre les températures de congélation :

1. Suivre les étapes 1-3 dans la section précédente après chaque utilisation.
2. Utiliser un protecteur de pompe pour traiter la pompe. Cela minimise les dommages pour congélation et lubrifie les pistons et les joints.
3. Si un protecteur de pompe n'est pas disponible, brancher une section de 3 pieds du tuyau d'arrosage à l'adaptateur d'entrée d'eau. Verser l'antigel pour véhicules récréatifs (antigel sans alcool) dans le tuyau. Tirez la poignée de rappel deux fois. Débrancher le tuyau de 3 pieds.
4. Conserver l'unité dans une zone propre et sèche.

ENTREPOSAGE À LONG TERME

Si vous ne prévoyez pas utiliser la laveuse à pression pour plus de 30 jours, vous devez préparer le moteur et la pompe pour l'entreposage à long terme.

PROTÉGER LE SYSTÈME D'ALIMENTATION EN CARBURANT

Le carburant peut être vicié après un entreposage de plus de 30 jours. L'essence vicié provoque des dépôts d'acide et de gomme dans le système de carburant ou sur les pièces essentielles du carburateur. Pour garder le carburant frais, utiliser un stabilisateur de carburant, disponible sous forme d'additif liquide ou une cartouche de gouttes concentrées.

Il n'est pas nécessaire de vider le carburant du moteur si un stabilisateur de carburant est ajouté conformément aux instructions. Faire fonctionner le moteur pendant 2 minutes pour faire circuler le stabilisateur dans le système de carburant. Le moteur et le carburant peuvent ainsi être conservés jusqu'à 24 mois (selon les caractéristiques du fabricant du stabilisateur de carburant).

Si l'essence dans le moteur n'a pas été traitée avec un stabilisateur de carburant, elle doit être versée dans un contenant approuvé. Faire fonctionner le moteur jusqu'à ce qu'il s'arrête à cause de la manque de carburant. L'utilisation d'un stabilisateur de carburant dans le récipient de rangement est recommandé pour conserver la fraîcheur.

CHANGER D'HUILE

Tandis que le moteur est encore chaud, évacuez l'huile du carter du moteur. Recharger avec le degré recommandé. Voir la section Changer l'huile du moteur dans l'Entretien du moteur.

PROTÉGER LA POMPE

Pour protéger la pompe des dégâts causés par les dépôts minéraux ou le gel, utilisez de l'antigel PumpSaver ou RV pour traiter la pompe, éviter les dommages dus au gel et lubrifier les pistons et les joints.

- Ne pas respecter cette consigne risque d'endommager irrémédiablement votre pompe et de rendre l'appareil inutilisable.
- Les dégâts dus au gel ne sont pas couverts par la garantie.

Pour protéger l'appareil contre le gel :

1. Après chaque utilisation, suivez les étapes 1 à 3 de la section précédente.

2. Traitez la pompe avec du PumpSaver, pour éviter les dommages dus au gel et lubrifier les pistons et les joints.
3. Si vous n'en avez pas, branchez une section de 1 mètre (3 pieds) de tuyau d'arrosage à la prise d'eau. Versez de l'antigel RV (antigel sans alcool) dans le tuyau. Tirez deux fois sur le démarreur à rappel. Débranchez le tuyau de 1 mètre (3 pieds).



AVERTISSEMENT

Risque d'incendie. Vérifiez que l'appareil a bien refroidi avant d'installer une protection de rangement et d'entreposer l'appareil. Le contact avec des surfaces chaudes peut entraîner un incendie.

(000109)

- NE PAS placer une couverture de rangement sur une laveuse à pression chaude.
 - Laisser refroidir l'appareil pendant un temps suffisant avant de placer la couverture sur l'appareil.
4. Rangez l'appareil dans un endroit sec et propre.

AUTRES INSTRUCTIONS D'ENTREPOSAGE

1. NE PAS entreposer le carburant d'une saison à l'autre à moins qu'il n'ait été traité comme décrit à la section Protection du système de carburant.
2. Remplacer le réservoir de carburant s'il commence à rouiller. La rouille et / ou la saleté dans le carburant peut causer des problèmes s'il est utilisé avec cet appareil.
3. Couvrir l'appareil avec une couverture de protection adéquate qui ne retient pas l'humidité.
4. Conserver l'unité dans une zone propre et sèche.

TRANSPORT/INCLINAISON DE L'APPAREIL

Ne faites pas fonctionner, ne rangez pas et ne transportez pas l'appareil à un angle supérieur à 15 degrés.

GUIDE DE DÉPANNAGE

PROBLÈME	CAUSE	CORRECTION
La pompe rencontre les problèmes suivants: impossible de monter en pression, pression intermittente, à coups de pression, faible débit d'eau.	<ol style="list-style-type: none"> 1. Buse à basse pression installée. 2. Entrée d'eau obstruée. 3. Alimentation en eau inadéquate. 4. Pincement ou fuite sur le tuyau d'entrée. 5. Filtre d'entrée du tuyau obstrué. 6. Température d'eau supérieure à 35°C. 7. Colmatage ou fuite du tuyau à haute pression. 8. Fuite du pistolet de pulvérisation. 9. La buse est obstruée. 10. Pompe défectueuse. 	<ol style="list-style-type: none"> 1. Remplacer par une buse à pression élevée 2. Nettoyer l'entrée. 3. Fournir un débit d'eau adéquat. 4. Éliminer le pincement, réparer la fuite. 5. Vérifier et nettoyer le filtre d'entrée du tuyau. 6. Fournir une alimentation d'eau plus froide. 7. Supprimer les obstruction dans le tuyau de sortie ou remplacer le tuyau. 8. Remplacer le pistolet de pulvérisation. 9. Nettoyer la buse. 10. Contacter un centre de service local.
Le détergent ne se mélange pas avec le jet d'eau.	<ol style="list-style-type: none"> 1. Tuyau à siphon non immergé dans le détergent. 2. Le filtre/ tuyau à siphon de détergent est obstrué ou brisé. 3. Buse à pression élevée installée. 	<ol style="list-style-type: none"> 1. Faire plonger le tuyau à siphon dans le détergeant. 2. Nettoyer ou remplacer le filtre ou le tuyau à siphon de détergent. 3. Remplacer par une buse à basse pression.
Le moteur tourne bien à vide mais a des ratés en charge.	<ol style="list-style-type: none"> 1. Vitesse du moteur trop faible. 	<ol style="list-style-type: none"> 1. Déplacer la commande de régulateur en position FAST (rapide). Si le moteur continue a fonctionner « incorrectement », contacter le centre de service local.
Le moteur ne démarre pas; ou démarre mais fonctionne irrégulièrement.	<ol style="list-style-type: none"> 1. Niveau bas d'huile, « Système d'alerte d'huile ». 2. Filtre à air sale. 3. Plus de carburant. 4. Carburant vicié. 5. Le fil de la bougie n'est pas branché à la bougie d'allumage. 6. Bougie d'allumage défectueuse. 7. Eau dans le carburant. 8. Mélange de carburant trop riche. 	<ol style="list-style-type: none"> 1. Remplir le carter du moteur au niveau approprié. 2. Nettoyer ou remplacer le filtre à air. 3. Remplir le réservoir de carburant. 4. Vider le réservoir de carburant ; remplir avec du carburant neuf. 5. Brancher le fil à la bougie d'allumage. 6. Remplacez la bougie d'allumage. 7. Vider le réservoir de carburant ; remplir avec du carburant neuf. 8. Contacter un centre de service local.
Le moteur s'arrête inopinément.	<ol style="list-style-type: none"> 1. Plus de carburant. 	<ol style="list-style-type: none"> 1. Remplir le réservoir de carburant.
Manque de puissance.	<ol style="list-style-type: none"> 1. Filtre à air sale. 	<ol style="list-style-type: none"> 1. Remplacez le filtre à air.

