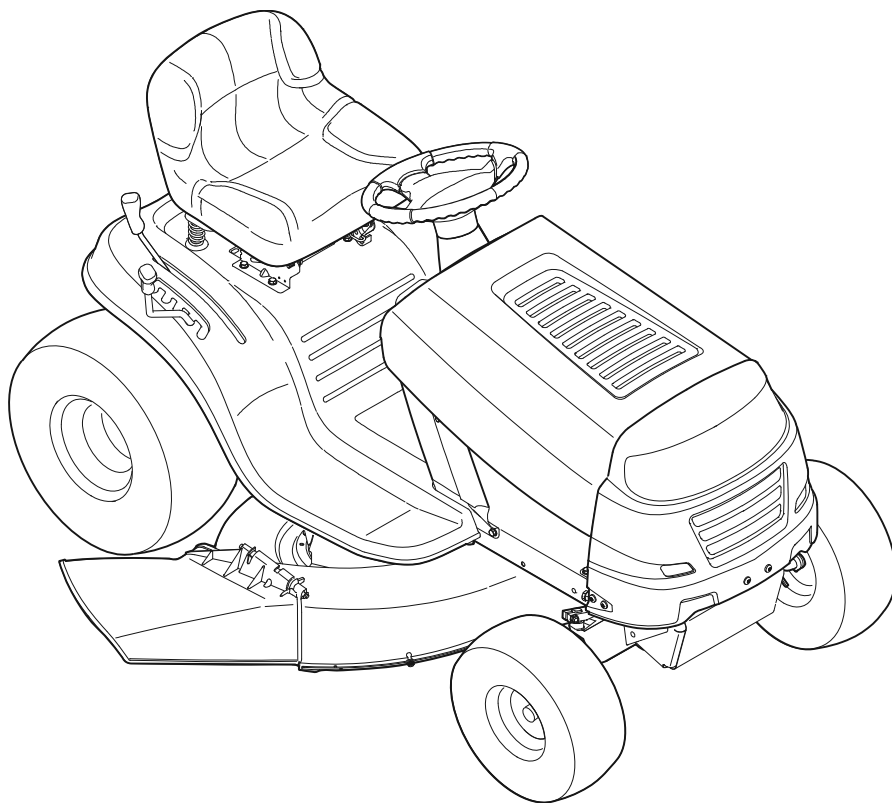


---

# ILLUSTRATED PARTS MANUAL



## Transmatic Lawn Tractor — Model Series 700

---

MTD LLC, P.O. BOX 361131 CLEVELAND, OHIO 44136-0019

---

# To The Owner

## Thank You

Thank you for purchasing this lawn tractor. It was carefully engineered to provide excellent performance when properly operated and maintained.

All information in this manual is relative to the most recent product information available at the time of printing. Please be aware that this Illustrated Part's Manual may cover a range of product specifications for various models.

Components listed and/or illustrated in this manual may not be applicable to all models. We reserve the right to change product specifications, designs and equipment without notice and without incurring obligation.

Throughout this manual, all references to *right* (RH) and *left* (LH) are observed from the operating position.

## Table of Contents

<b><i>2 Style Hood</i></b> .....	<b>4</b>	<b><i>MTD P90</i></b> .....	<b>34</b>
<b><i>2 Style Dash</i></b> .....	<b>6</b>	<b><i>Kohler Courage</i></b> .....	<b>35</b>
<b><i>K Style Hood</i></b> .....	<b>8</b>	<b><i>B&amp;S Model 28</i></b> .....	<b>36</b>
<b><i>5 Style Hood</i></b> .....	<b>10</b>	<b><i>B&amp;S Model 28 with Low Muffler</i></b> .....	<b>37</b>
<b><i>W Style Hood</i></b> .....	<b>12</b>	<b><i>B&amp;S Intek Model</i></b> .....	<b>38</b>
<b><i>S Style Hood</i></b> .....	<b>14</b>	<b><i>MTD X90</i></b> .....	<b>39</b>
<b><i>Frame and PTO Lift</i></b> .....	<b>16</b>	<b><i>B&amp;S Model 31</i></b> .....	<b>40</b>
<b><i>Front End Steering</i></b> .....	<b>18</b>	<b><i>Wiring Harness Schematic - 725-06314</i></b> .....	<b>41</b>
<b><i>Seat and Fender</i></b> .....	<b>20</b>	<b><i>Wiring Harness Schematic - 725-04567H</i></b> .....	<b>42</b>
<b><i>Transmission (Single Speed-Hand Control)</i></b> .....	<b>22</b>	<b><i>Wiring Harness Schematic - 725-04432H</i></b> .....	<b>43</b>
<b><i>Transmission (Single Speed-Foot Control)</i></b> .....	<b>24</b>	<b><i>Wiring Harness Schematic - 725-05320B</i></b> .....	<b>44</b>
<b><i>Transmission (Hydro)</i></b> .....	<b>26</b>	<b><i>Engine Model 4P90JUB</i></b> .....	<b>46</b>
<b><i>38" Deck</i></b> .....	<b>28</b>	<b><i>Engine Model 4P90JUC</i></b> .....	<b>60</b>
<b><i>42" Deck</i></b> .....	<b>30</b>	<b><i>Engine Model 4P90HUA</i></b> .....	<b>74</b>
<b><i>46" Deck</i></b> .....	<b>32</b>		

## Record Product Information

To ease in ordering replacement parts, please locate the model plate on the equipment and record the information in the provided area to the right. You can locate the model plate by looking beneath the seat.

### MODEL NUMBER

--	--	--	--	--	--	--	--	--	--	--

### SERIAL NUMBER

--	--	--	--	--	--	--	--	--	--	--

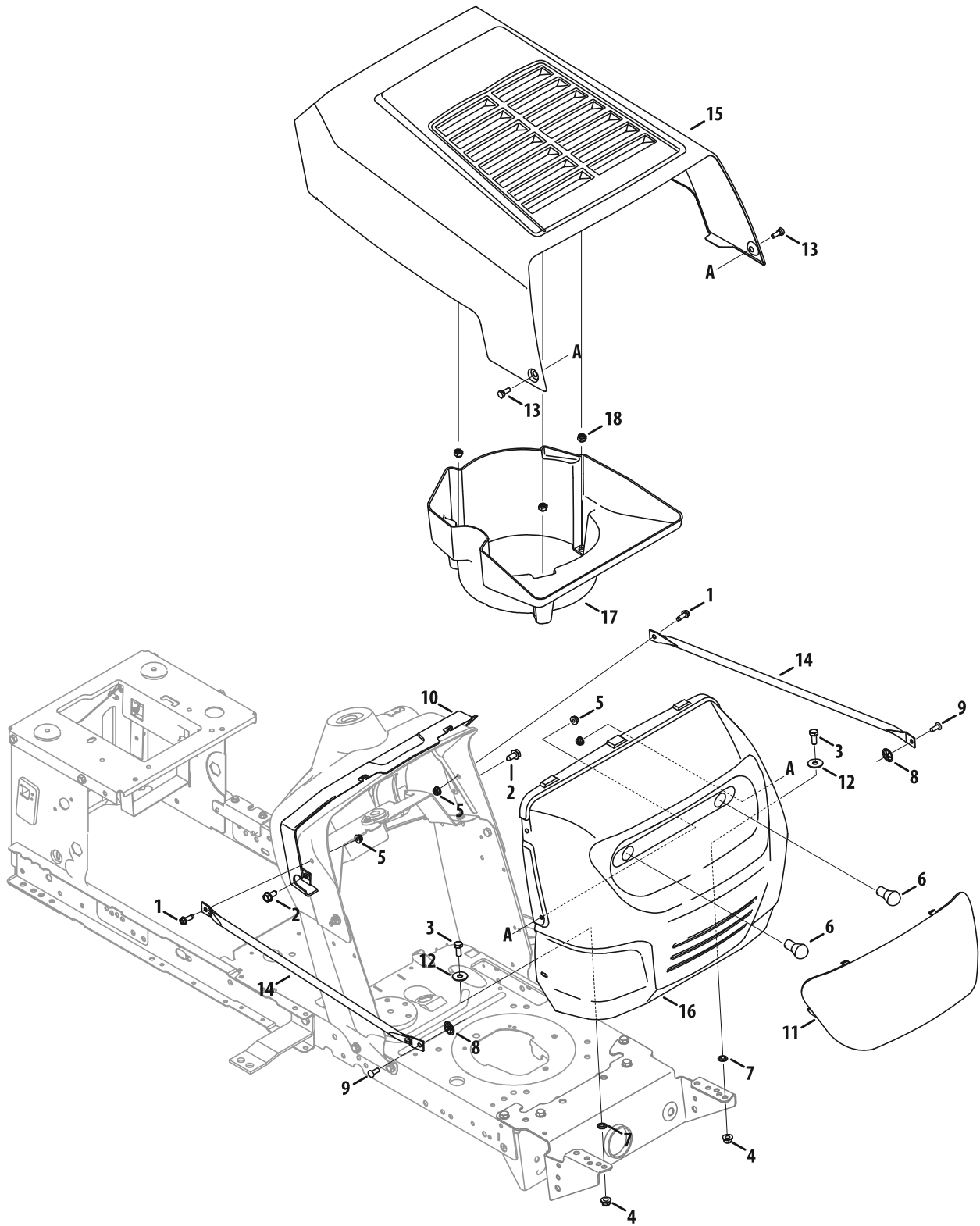
## Painted Parts

When ordering painted service parts, a four digit color suffix must be added to the part number (e.g. 783-XXXXX-0637). Please refer to the table below for current color codes:

0637	Black	0674	Yellow (Yard-Man)
0709	Dark Green (Bolens, Yard-Man)	0650	Metallic Red (White Outdoor)
0662	Oyster Gray (MTD Gold)	0629	Silver Flake (MTD Platinum)
0638	Red (Yard Machines, Huskee, Troy-Bilt, MTD)	04038	Day Orange (Daedong)
0691	Black Jack (MTD Gold, MasterCut)	04033	Flint Mica (Troy-Bilt XP)

This page intentionally left blank.

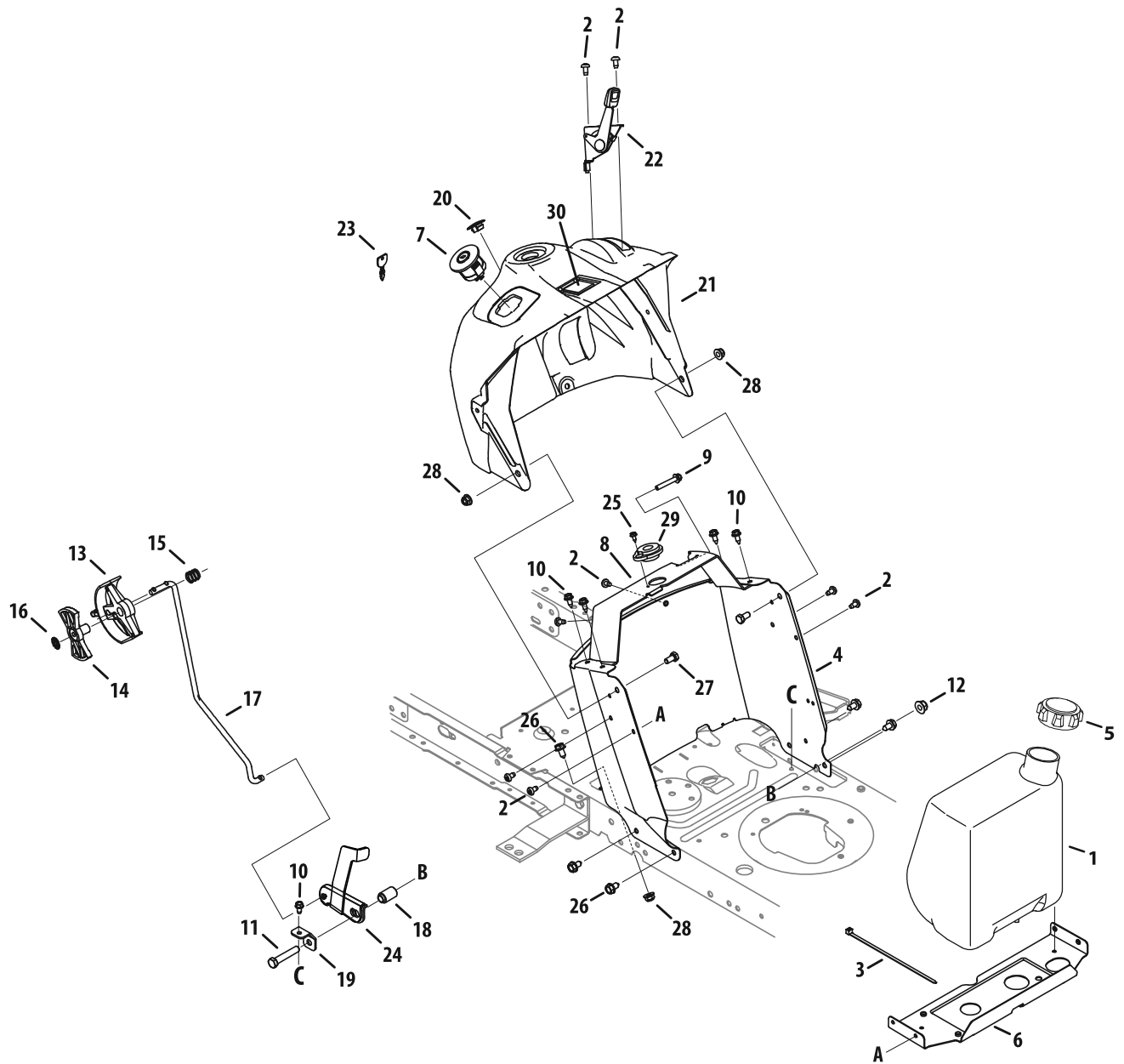
# 2 Style Hood



Ref. No.	Part No.	Description
1	710-0642	Screw, Tap, 1/4-20, 0.750
2	710-0895	Hex Washer Screw, 1/4-15 x .75
3	710-3008	Hex Screw, 5/16-18, .75
4	712-04063	Flange Lock Nut, 5/16-18
5	712-04064	Flange Lock Nut, 1/4-20
6	925-0963	Miniature Lamp 12V Socket
7	726-0201	Speed Nut
8	926-04012	Nut, push-On, .25 Dia
9	728-0162	Rivet, flat Head 1/4"
10	731-05012B	Collar, dash, 0/2 Style
11	731-06042	Lens
12	736-3078	Flat Washer, .344 x 1.00 x .063
13	938-0952A	Bolt, Shoulder, .375 X .125
14	749-04220	Grill Support Rod
15	783-04608	Hood
16	783-05656A	Grill
17	731-09514	Plenum
18	748-05024	Spacer, .28 ID x .380 x .09

**NOTE:** Tractor features vary by model. NOT all parts listed above and pictured on the previous page are standard equipment.

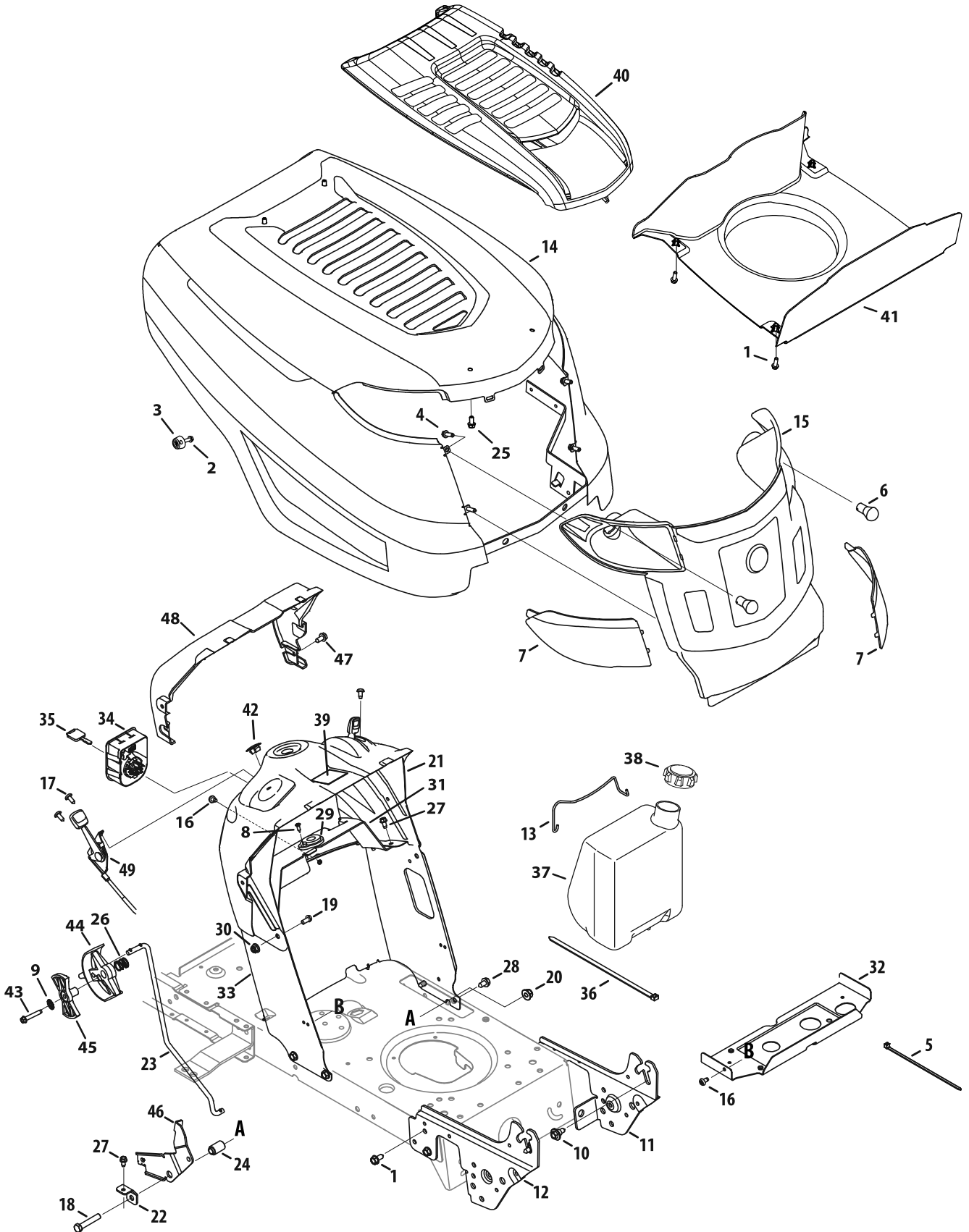
# 2 Style Dash



Ref. No.	Part No.	Description
1	751-0555B	1.5 Gallon Fuel Tank
2	710-05070A	Screw, Tap, 1/4-20, 0.500
3	726-0230	Cable Tie, 36.0 Long
4	783-06811D	Dash, Lower NWNDW
5	751-0603A	Fuel Cap
6	783-07083A	Gas Tank Support Bracket
7	925-06119B	Key Switch Module
8	783-06785C	Bracket, Steering Support
9	710-05237	Hex Screw, 1/4-20 x 1.50
10	710-1652	Tap Screw, 1/4-20, 0.625
11	710-3144	Hex Screw, 3/8-16, 2.00, Gr5, Std
12	712-04065	Flange Lock Nut, 3/8-16
13	731-07885B	Shift Lever
14	731-07965A	Index Control, 6 SPD
—	731-07966A	Index Control, Park
15	732-04877	Compr. Spring, .685 OD x .63
16	736-3006	Lock Washer, 1/4
17	747-05398	Speed Selector Control Rod
18	750-04465C	Flange Spacer, .390 X .671 X 1.095
19	783-06823	Speed Latch
20	731-05265	Choke Plug
21	931-08426C	Dash, Upper, RMC, AMM
—	931-08542C	Dash, Upper
22	746-04367	Throttle/Choke Cable Assembly
23	925-1745A	Key
24	683-04766	Speed Latch - RMC
—	783-06991	Speed Latch - No RMC
25	910-0224	Screw, #10-16 x .500
26	710-0604A	Tap Screw, 5/16-18, 0.625
27	710-3025	Hex Screw, 5/16-18 x .625
28	712-04063	Flange Lock Nut, 5/16-18
29	741-0587	Bearing, .628 ID x 1.36
30	925-06170	Hour Meter
—	925-06314	Harness, LT-5, RMC, HM
—	925-04567H	Harness, LT-5, NRMC, Dual

**NOTE,** Tractor features vary by model. NOT all parts listed above and pictured on the previous page are standard equipment.

# K Style Hood



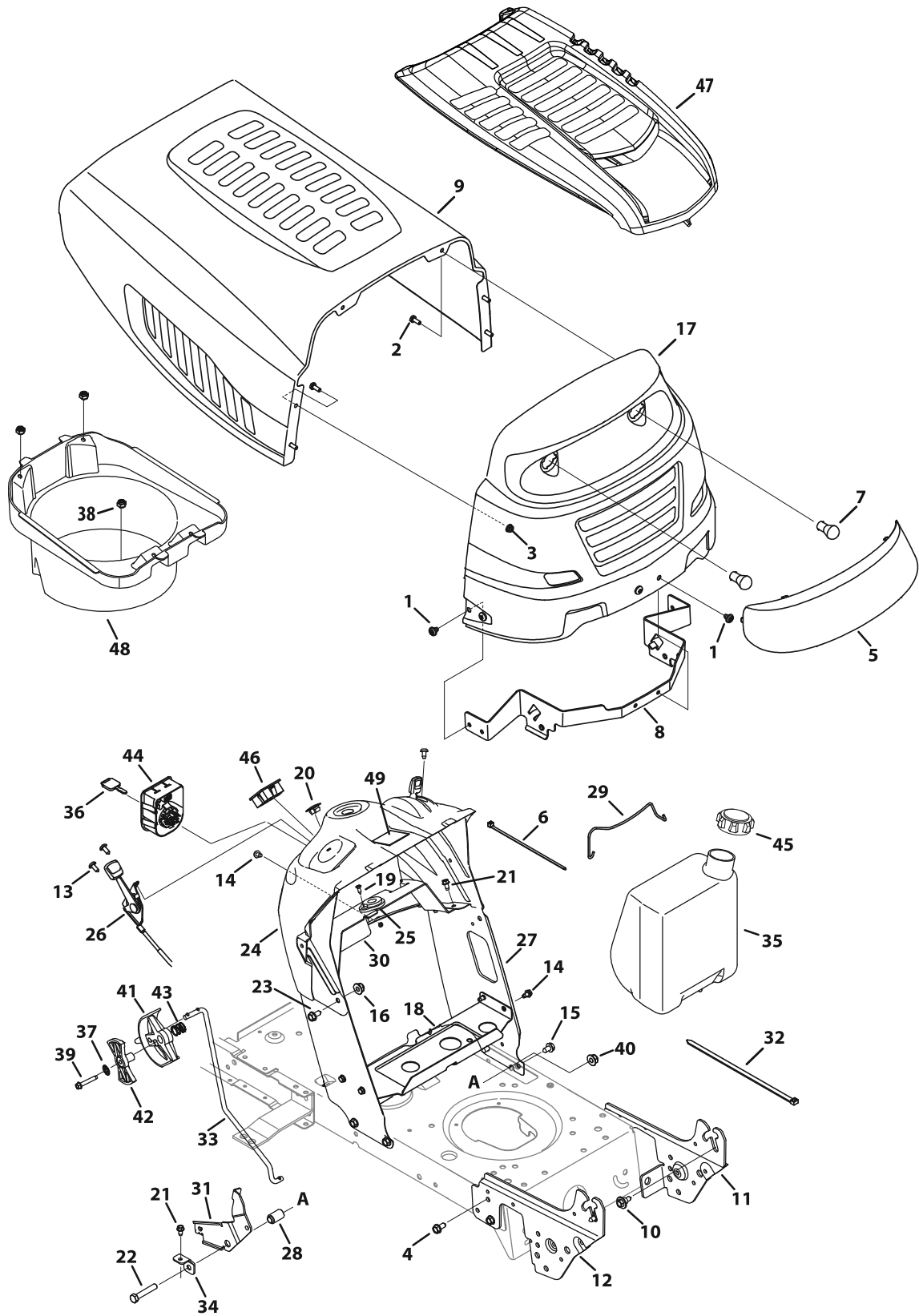


## K Style Hood

Ref. No.	Part No.	Description	Ref. No.	Part No.	Description
1	710-04484	Screw 5/16-18 x .750	27	710-1652	Tap Screw, 1/4-20, 0.625
2	710-05281	Screw, #12-16 x 1.25	28	710-0604A	Screw 5/16-18 x .625
3	731-06404	K-Style Bumper	29	741-0587	Bearing, .628 ID x 1.36
4	710-05108	Screw, 1/4 x .750	30	712-04063	Flange lock Nut 5/16-18
5	725-0157	Cable Tie	31	783-06785C	Bracket, Steering Support
6	925-0963	Miniature lamp 12V socket	32	783-07083	Gas Tank Support Bracket
7	731-06095	Grill Lens - LH	33	783-06811D	Dash, Lower NWNDW
	731-06096	Grill Lens - RH	34	925-06119B	Key Switch Module
8	910-0224	Screw, #10-16 x .500		925-1741	4 Position Key Switch
9	736-3006	Lock Washer, 1/4	35	925-1745A	Key
10	738-04091A	Shoulder Screw .43 x .29	36	726-0230	Cable Tie
11	783-05327B	Support Bracket LH	37	751-0555B	Fuel Tank, 1.5 Gallons
12	783-05328A	Support Bracket RH	38	751-0603A	Fuel Cap, 1.5 Gallon
13	683-04448	Battery Rod	39	925-06170	Hour Meter
14	683-04774	Hood, w/ Scoop	40	731-06194B	Hood Scoop
	683-04441A	Hood	41	931-09328	Plenum
15	931-06796A	Grille Assembly, K-Style	42	731-05265	Choke Plug
	631-04272	Grill Assembly, TB	43	710-05237	Hex Washer Screw, 1/4-20 x 1.50
16	710-05070A	Screw, 1/4-20 x .500	44	731-07885B	Shift Lever
17	710-04483	Screw 1/4-20 x .500	45	731-07895A	Index Control, 7 SPD
18	710-3144	Hex Screw 3/8-16 x 2.00		731-07966A	Index Control, Park
19	710-3025	Hex Screw, 5/16-18 x .625	46	683-04766	Speed Latch - RMC
20	712-04065	Flange Lock Nut 3/8-16		783-06991	Transmission Speed Latch
21	931-09942A	Dash, Upper, RMC, NAMM	47	710-0895	Screw, 1/4-15 x .750
	931-09344A	Dash, Upper, NRMC	48	731-05078C	Dash Collar
	931-07770A	Dash, Upper, w/ RMC	49	946-04622	Throttle/Choke Cable, 39"
22	783-06823	Speed Latch Tab		746-04367	Throttle/Choke Cable, 28"
23	747-05398	Speed Control Rod	—	925-04432H	Harness, LT-5, RMC, Dual
24	750-04465C	Flange Spacer .39 x .671 x 1.095	—	925-05320B	Harness, LT-5, NRMC
25	710-04187A	Screw, 1/4-15 x 0.50	—	925-06314	Harness, LT-5, RMC, HM
26	732-04877	Compr. Spring, .72 OD x .78			

**NOTE:** Tractor features vary by model. NOT all parts listed above and pictured on the previous page are standard equipment.

# 5 Style Hood

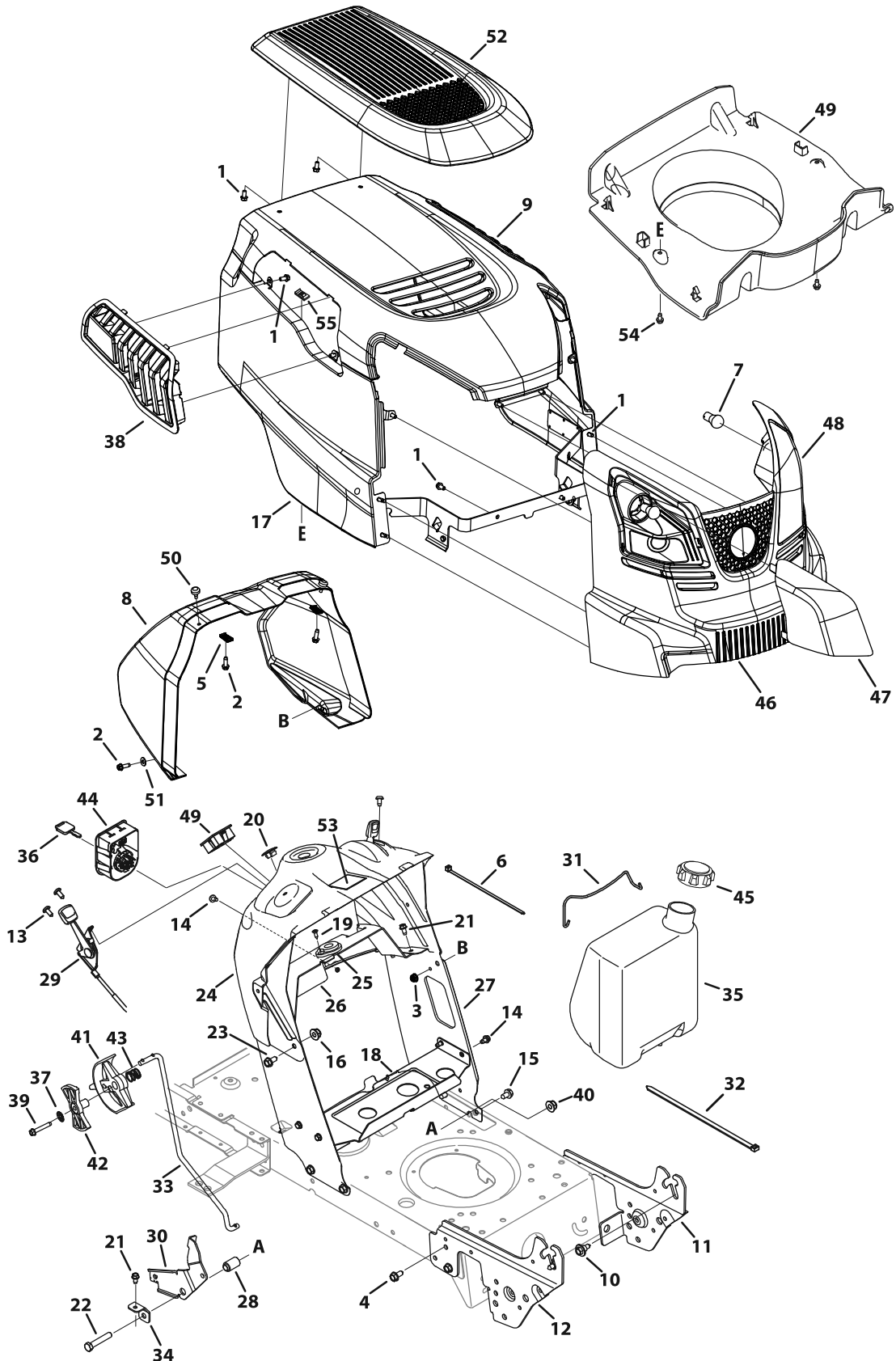


## 5 Style Hood

Ref. No.	Part No.	Description	Ref. No.	Part No.	Description
1	710-04593	Screw, 5/16-18 x .375	29	683-04448	Battery Assembly Rod
2	710-0751	Hex Screw, 1/4-20 x .620	30	783-06785C	Bracket, Steering Support
3	712-04064	Flangelock Nut, 1/4-20	31	683-04766	Speed Latch - RMC
4	710-04484	Screw, 5/16-18 x .750		783-06991	Speed Latch - NRMCM
5	731-04949A	Grill Lens	32	726-0230	Cable Tie
6	725-0157	Cable Tie	33	747-05398	Speed Control Rod
7	925-0963	Lamp	34	783-06823	Speed Latch Tab
8	783-05454	Hood Pivot Bracket	35	751-0555B	1.5 Gallon Fuel Tank
9	783-05683	Hood	36	925-1745A	Key
10	738-04091A	Shoulder Screw, 5/16-18 x .43 x .29	37	736-3006	Lock Washer, 1/4
11	783-05327B	Left Support Pivot Bracket	38	748-05024	Spacer, .28 ID x .380 x .09
12	783-05328A	Right Support Pivot Bracket	39	710-05237	Hex Washer Screw, 1/4-20 x 1.50
13	710-04483	Screw, 1/4-20 x .500	40	712-04065	Flangelock Nut, 3/8-16
14	710-05070A	Screw, 1/4-20 x .500	41	731-07885B	Shift Lever
15	710-0604A	Screw, 5/16-18 x .625	42	731-07965A	Index Control, 6SPD
16	712-04063	Flangelock Nut, 5/16-18		731-07895A	Index Control, 7 SPD
17	783-05685A	Grill		731-07966A	Index Control, Park
18	783-07083A	Gas Tank Support Bracket	43	732-04877	Compr. Spring, .72 OD x .78
19	910-0224	Screw, #10-16 x .500	44	925-04659	3 Position Key Switch
20	731-05265	Choke Plug		925-06119B	Key Switch Module
21	710-1652	Tap Screw, 1/4-20, 0.625	45	751-0603A	Fuel Cap
22	710-3144	Hex Screw, 3/8-16 x 2.0	46	925-04156	Ammeter
23	710-3025	Hex Screw, 5/16-18 x .625	47	731-05522A	Hood Scoop
24	931-07770A	Dash, Upper, w/ RMC	48	731-05147A	Plenum, Long
	931-08054A	Dash, Upper, NRMCM, NAMM		731-05165A	Plenum, Short
	931-08426C	Dash, Upper, RMC, AMM		731-09514	Plenum
25	741-0587	Bearing, .628 ID x 1.36	49	925-06170	Hour Meter
26	746-04367	Throttle/Choke Cable, 28"	—	925-06314	Harness, LT-5, RMC, HM
	946-04622	Throttle/Choke Cable, 39"	—	925-04567H	Harness, LT-5, NRMCM, Dual
27	783-06811D	Dash, Lower	—	725-04469	Harness, Jmpr., Ammeter
28	750-04465C	Flange Spacer, .390 x .671 x 1.095			

**NOTE:** Tractor features vary by model. NOT all parts listed above and pictured on the previous page are standard equipment.

# W Style Hood

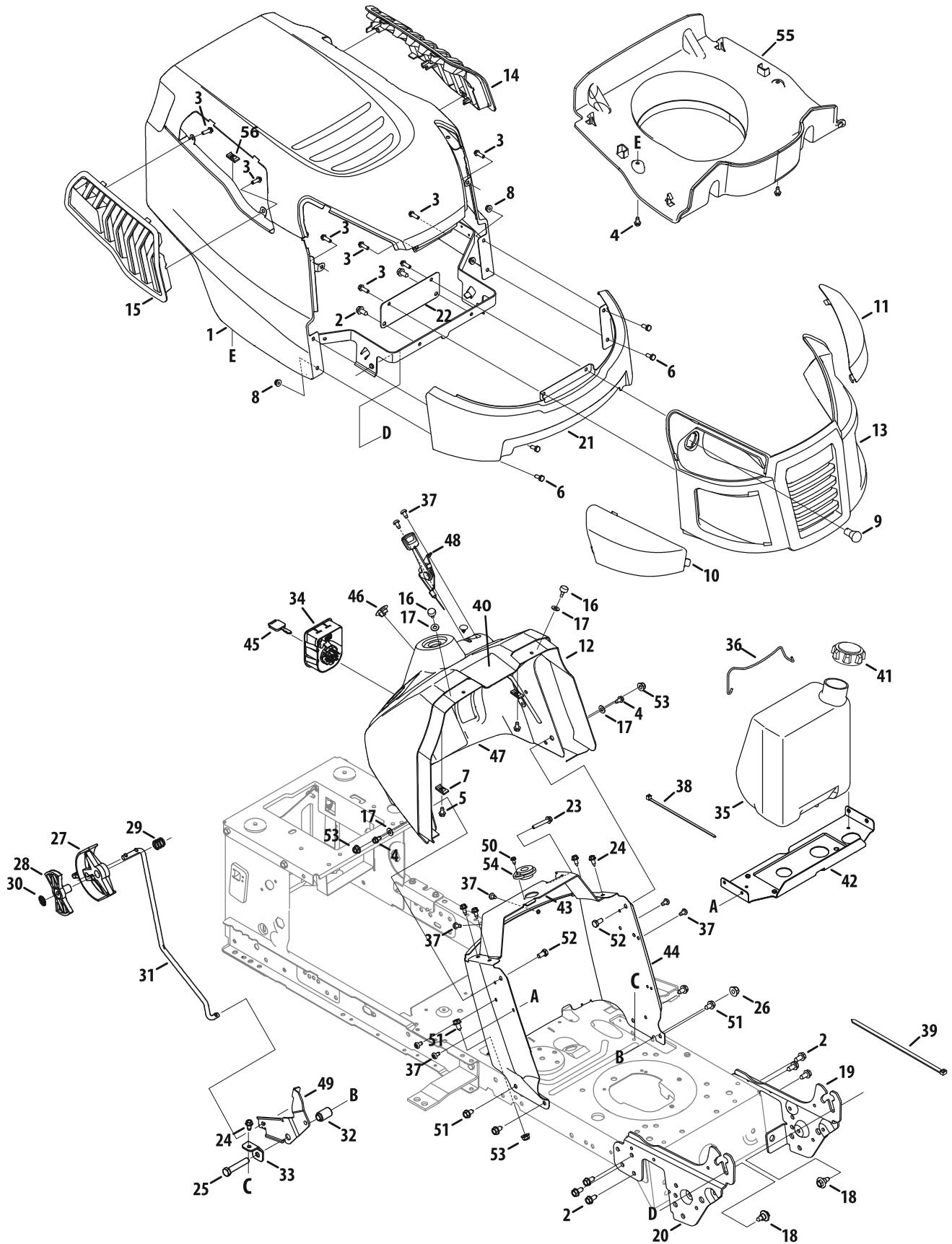


## W Style Hood

Ref. No.	Part No.	Description	Ref. No.	Part No.	Description
1	710-04187A	Screw, 1/4-15 x 0.50	30	683-04766	Speed Latch - RMC
2	710-0642	Screw, Tap, 1/4-20, 0.750	31	683-04448	Battery Assembly Rod
3	712-04064	Flangelock Nut, 1/4-20	32	726-0230	Cable Tie
4	710-04484	Screw, 5/16-18 x .750	33	747-05398	Speed Control Rod
5	712-0292	Tinn Clip Nut, 1/4-20	34	783-06823	Speed Latch Tab
6	725-0157	Cable Tie	35	751-0555B	1.5 Gallon Fuel Tank
7	925-0963	Lamp	36	925-1745A	Key
8	731-07460A	Dash Collar	37	736-3006	Lock Washer, 1/4
9	731-07711A	LH Hood Scoop	38	731-07712A	RH Hood Scoop
10	738-04091A	Shoulder Screw, 5/16-18 x .43 x .29	39	710-05237	Hex Washer Screw, 1/4-20 x 1.50
11	783-05327B	Left Support Pivot Bracket	40	712-04065	Flangelock Nut, 3/8-16
12	783-05328A	Right Support Pivot Bracket	41	731-07885B	Shift Lever
13	710-04483	Screw, 1/4-20 x .500	42	731-07965A	Index Control
14	710-05070A	Screw, 1/4-20 x .500		731-07966A	Index Control, Park
15	710-0604A	Screw, 5/16-18 x .625	43	732-04877	Compr. Spring, .72 OD x .78
16	712-04063	Flangelock Nut, 5/16-18	44	925-06119A	Key Switch Module
17	683-04786	Hood Assembly	45	751-0603A	Fuel Cap
18	783-07083A	Gas Tank Support Bracket	46	931-08306	Grill
19	910-0224	Screw, #10-16 x .500	47	731-08334	RH Lens
20	731-05265	Choke Plug	48	731-08359	LH Lens
21	710-1652	Tap Screw, 1/4-20, 0.625	49	731-08440A	Plenum
22	710-3144	Hex Screw, 3/8-16 x 2.0	50	735-0271A	Bumper, .62 Dia. x .3
23	710-3025	Hex Screw, 5/16-18 x .625	51	936-0463	Flat Washer, .250 x .630 x .052
24	931-08426C	Dash, Upper, w/ RMC	52	731-09281	Hood Scoop
25	741-0587	Bearing, .628 ID x 1.36	53	925-06170	Hour Meter
26	783-06785C	Bracket, Steering Support	54	710-0599	Screw, 1/4-20 x .500
27	783-06811D	Dash, Lower	55	712-0292	Tin Clip Nut, 1/4-20
28	750-04465C	Flange Spacer, .390 x .671 x 1.095	—	925-06314	Harness, LT-5, RMC, HM
29	746-04367	Throttle/Choke Cable, 28"			

**NOTE:** Tractor features vary by model. NOT all parts listed above and pictured on the previous page are standard equipment.

# S Style Hood

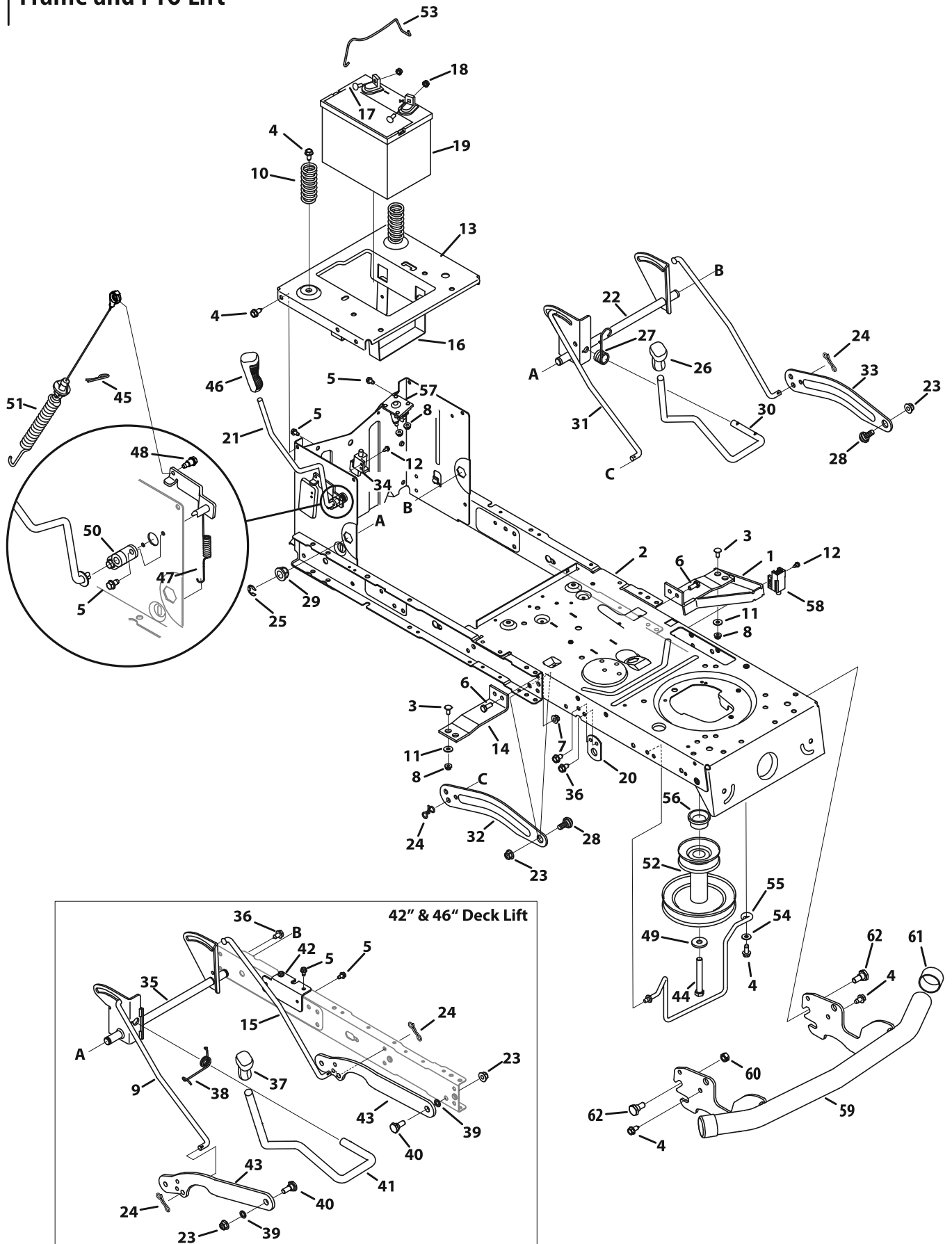


## S Style Hood

Ref. No.	Part No.	Description	Ref. No.	Part No.	Description
1	683-04619A	Hood Assembly	29	732-04877	Compr. Spring, .72 OD x .78
2	710-04484	Screw, 5/16-18 x .750	30	736-3006	Lock Washer, 1/4
3	710-05108	Screw, 1/4 x .750	31	747-05398	Speed Control Rod
4	710-0599	Screw, 1/4-20 x .500	32	750-04465C	Flange Spacer, .390 x .671 x 1.095
5	710-0642	Screw, Tap, 1/4-20, 0.750	33	783-06823	Speed Latch Tab
6	710-0751	Hex Screw, 1/4-20 x .620	34	925-06119A	Key Switch Module
7	712-0292	Tin Clip Nut, 1/4-20	35	751-0555B	1.5 Gallon Fuel Tank
8	712-04064	Flangelock Nut, 1/4-20	36	683-04448	Battery Assembly Rod
9	925-0963	Lamp	37	710-05070A	Screw, 1/4-20 x .500
10	731-07458	Headlight Lens, RH	38	725-0157	Cable Tie
11	731-07459	Headlight Lens, LH	39	726-0230	Cable Tie
12	731-07460A	Dash Collar	40	925-06170	Hour Meter
13	931-10940	Grill, Yardworks	41	751-0603A	Fuel Cap
14	731-07711A	Hood Scoop, LH	42	783-07083A	Gas Tank Support Bracket
15	731-07712A	Hood Scoop, RH	43	783-06785C	Bracket, Steering Support
16	735-0271A	Bumper	44	783-06811D	Dash, Lower
17	936-0463	Flat Washer, .250 x .630 x .052	45	925-1745A	Key
18	738-04091A	Shoulder Screw, 5/16-18 x .43 x .29	46	731-05265	Choke Plug
19	783-05327B	Left Support Pivot Bracket	47	931-08426C	Dash, Upper, w/ RMC
20	783-05328A	Right Support Pivot Bracket	48	746-04367	Throttle/Choke Cable
21	783-06598	Lower Grill	49	683-04766	Speed Latch - RMC
22	783-06610	Lower Grill Bracket	50	910-0224	Screw, #10-16 x .500
23	710-0778	Hex Washer Screw, 1/4-20 x 1.50	51	710-0604A	Screw, 5/16-18 x .625
24	710-1652	Tap Screw, 1/4-20, 0.625	52	710-3025	Hex Screw, 5/16-18 x .625
25	710-3144	Hex Screw, 3/8-16 x 2.0	53	712-04063	Flangelock Nut, 5/16-18
26	712-04065	Flangelock Nut, 3/8-16	54	741-0587	Bearing, .628 ID x 1.36
27	731-07885B	Shift Lever	55	731-08440A	Plenum
28	731-07966A	Index Control, Park	56	712-0292	Tin Clip Nut, 1/4-20
—	731-07965A	Index Control, 6 SPD	—	925-06314	Harness, LT-5, RMC, HM

**NOTE:** Tractor features vary by model. NOT all parts listed above and pictured on the previous page are standard equipment.

# Frame and PTO Lift





## Frame and PTO Lift

Ref.	Part Number	Description	Ref.	Part Number	Description
1	683-04195	Support Bracket	34	725-04363	Switch Interlock
2	683-05139	Frame Assembly	35	683-04334	Lift Assembly, 46"
3	710-0703	Screw Carriage, 1/4-20 x .75	36	710-0604A	Screw, 5/16-18 x .625
4	710-04484	Screw 5/16-18 x .750	37	720-0298	Handle Grip, 5/8
5	710-0599	Screw, 1/4-20 x .500	38	732-04438	Torsion Spring Handle, 46"
6	710-3008	Hex Screw, 5/16-18 x .75	39	936-0140	Flat Washer, .385 x .62 x .063
7	712-04063	Flangelock Nut, 5/16-18	40	938-0380	Shoulder Bolt, 3/8-16 x .500 x .270
8	712-04064	Flangelock Nut, 1/4-20	41	747-04653A	46" Lift Handle
9	747-06237A	Lift Rod, RH	42	783-05389A	Frame Brace Bracket
10	732-0735A	Compression Spacer, 1.314 x 2.55	43	783-0678C	Lift Deck Link
11	736-0173	Flat Washer, .28 x .74 x .063	44	710-3157A	Hex Screw, 7/16-20 x 3.25
12	738-04237A	Shoulder Spacer, 10-32 x .500	45	914-0145	Click Pin, .092 x 1.64
13	783-04548D	Seat Frame Bracket	46	720-04049A	Handle Grip, 3/8
14	783-04637	Running Board Bracket	47	732-05376	PTO Spring Extension
15	747-06253	Lift Rod, LH	48	738-04425	Shoulder Bolt, 1/4-28 x .342 x .335
16	783-04869A	Battery Bracket	49	736-0322	Flat Washer, .450 x 1.250 x .164
17	710-04666	Hex Head Flange, 1/4-20 x .75	50	741-04119A	PTO Bearing
18	712-0271	Sems Nut, 1/4-20	51	946-05140	Deck Engage Cable (38")
19	925-1707D	230 CCA Battery		946-05124A	Deck Engage Cable (42" & 46")
20	783-04536B	Support Bracket	52	756-04196A	Engine Pulley, 3.39 x 6.12
21	647-05041	PTO Handle Assembly		956-04067A	Engine Pulley, 3.56 x 6.12
22	683-04155A	Lift Assembly, 38	53	683-04448	Battery Hold Down Rod
23	712-04065	Flangelock Nut, 3/8-16	54	936-0300	Flat Washer, .406 x .875 x .059
24	714-04040	Bow-tie Cotter Pin	55	747-04332A	38" Belt Keeper
25	716-0106A	E Ring		747-04857	42" Belt Keeper
26	720-0311	Handle Grip, 1/2		683-04414	46" Belt Keeper
27	732-04225	Torsion Spring	56	750-0956	Spacer, 1.010 x 1.400 x .825
28	738-04130A	Shoulder Bolt, 3/8-16 x .625 x .175	57	725-06153	12V Solenoid
29	941-0225	Hex Flange Bearing	58	925-04039	Screw Mount Interlock Switch
30	747-04282	Deck Lift Handle 38"	59	683-04219B	Bumper Assembly, Universal
31	747-04393	Lift Rod	60	912-3000	Nut, 3/8-16, Centerlock
32	783-04494C	38" Lift Arm, RH	61	731-05674	Cap, Bumper
33	783-04711C	38" Lift Arm, LH	62	738-0143	Bolt, Shoulder, .496 x .336, 3/8-16

**NOTE:** Tractor features vary by model. NOT all parts listed above and pictured on the previous page are standard equipment.

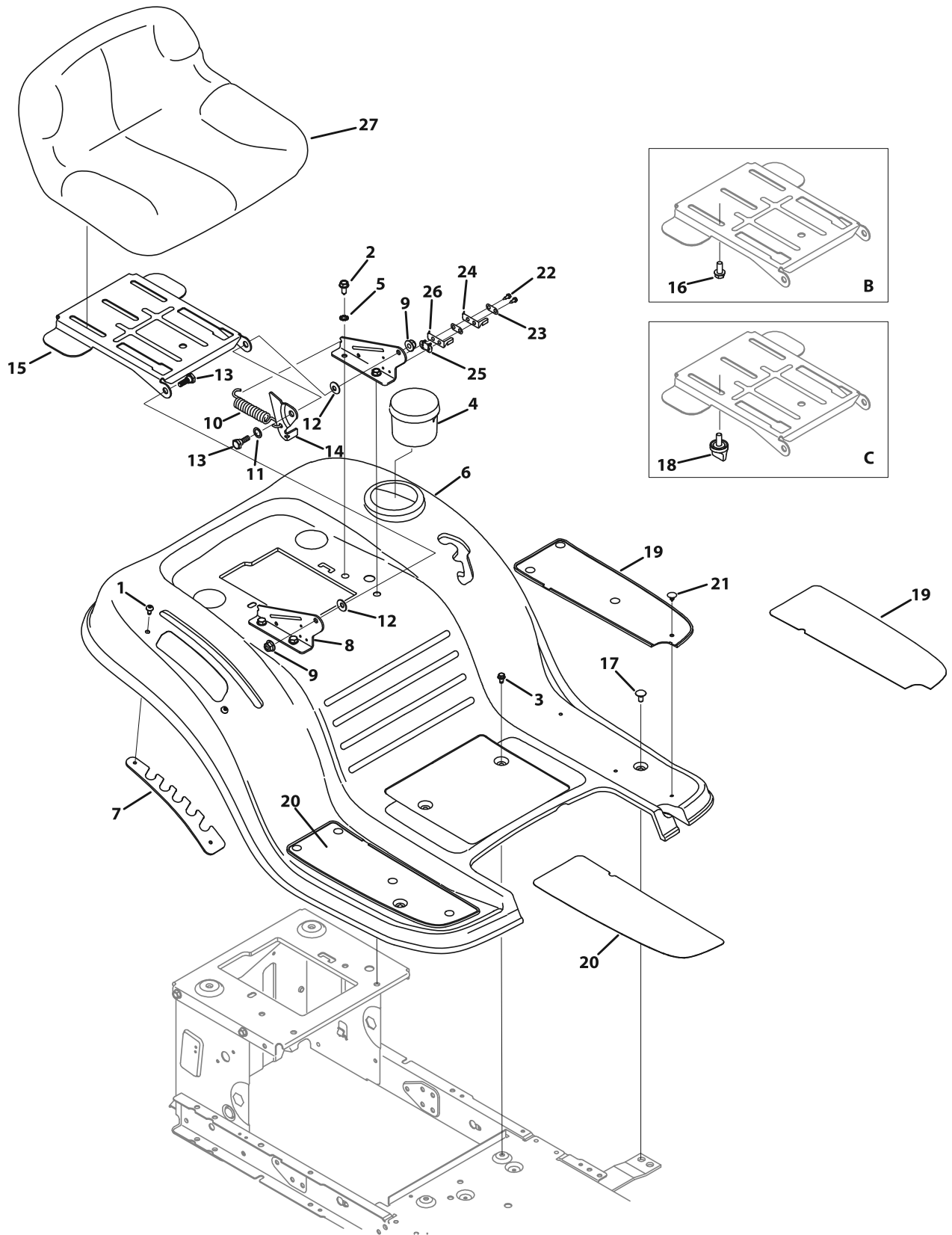


## Front End Steering

Ref.	Part Number	Description	Ref.	Part Number	Description
1	617-04094	Front Steering Gear Assembly	27	712-04065	Flangelock Nut, 3/8-16
2	710-0514	Hex Screw, 3/8-16 x 1.00	28	914-0474	Cotter Pin, .125 x .75
3	710-0643	Hex Screw, 5/16-18 x 1.00, Lock	29	919-04177C	Pivot Axle, Cast
4	710-1309	Machine Screw, 5/16-18 x .750	30	631-04028	Steering Wheel
5	710-3180	Hex Screw, 5/16-18 x 1.75		631-04560A	Steering Wheel Soft Grip
6	912-0240	Jam Nut, 7/16-20		631-04008B	Wheel, Steering, 3 Spoke, Softgrip
7	912-0214	Jamlock Nut, 3/8-24	31	634-05066	Rim Asm, 6.0 x 4.5
8	712-04063	Flangelock Nut, 5/16-18		934-04091A	Rim Asm, 6.0 x 4.5
9	638-04008P	Front RH Axle	32	934-0255	Valve, tubeless Air
	938-04013	46" Front RH Axle	33	734-1731	Tire, 15 X 6 X 6 Sq Shldr
10	923-0448A	Ball Joint, 7/16-20		734-04240A-0901	Tire, 15 X 6 X 6 Rd Shldr
11	736-0242	Bell Washer, .340 x .872 x .060	34	738-04128	Shoulder Bolt, 3/8-16 x .500 x 2.38
12	938-04007A	Front LH Axle	35	747-04299A	Fixed Rod
	938-04014A	46" Front LH Axle	36	783-05326B	Pivot Bar Bracket
13	738-04141	Shoulder Bolt, 5/16-18 x .435 x .350		783-04601C	Pivot Bar Bracket
14	938-05078	Steering Shaft, 5/8	37	726-0341	Push Cap, 3/4
15	941-04124	Flange Bearing, 5/8	38	731-04057A	Standard Axle Cap
16	931-0484A	Hub Cap	39	741-0660A	Flange Bearing, .760 x .941 x 1.0
17	747-05385A	Steering Link	40	726-04035	Push Nut, 3/4
18	948-0389	Cap, 1.25 x .16	41	731-04693	Hub Cap
19	748-04278	Steering Block	42	936-0316	Flat Washer, .78 x 1.59 x .060
20	748-04068	Spacer, .71 x .125 x .56	43	748-04068	Spacer, .71 x .125 x .56
21	731-04039	Cap	44	634-05067	Wheel Assembly, Sq. Tred
	731-04040	Sprig Cap		634-04341	Wheel Assembly
	731-04681	Cap, Troy-Bilt		634-05053	Wheel Assembly, Round Tred
22	783-08577A	Stabilizer Plate	45	683-0128B	Pivot Axle
23	736-04228A	Flat Washer, .781 x 1.590	46	912-0431	Flangelock Nut, 3/8-16
24	783-04568	Front Deck Hanger Bracket	47	736-0331	Bell Washer, .390 x 1.13 x .062
25	714-0162	Cotter Pin, 5/32 x 1.25	48	750-06192A	Spacer, .38 ID x .854 OD x .22
26	710-04484	Screw, 5/16-18 x .750	49	737-0224	Grease Fitting

**NOTE:** Tractor features vary by model. NOT all parts listed above and pictured on the previous page are standard equipment.

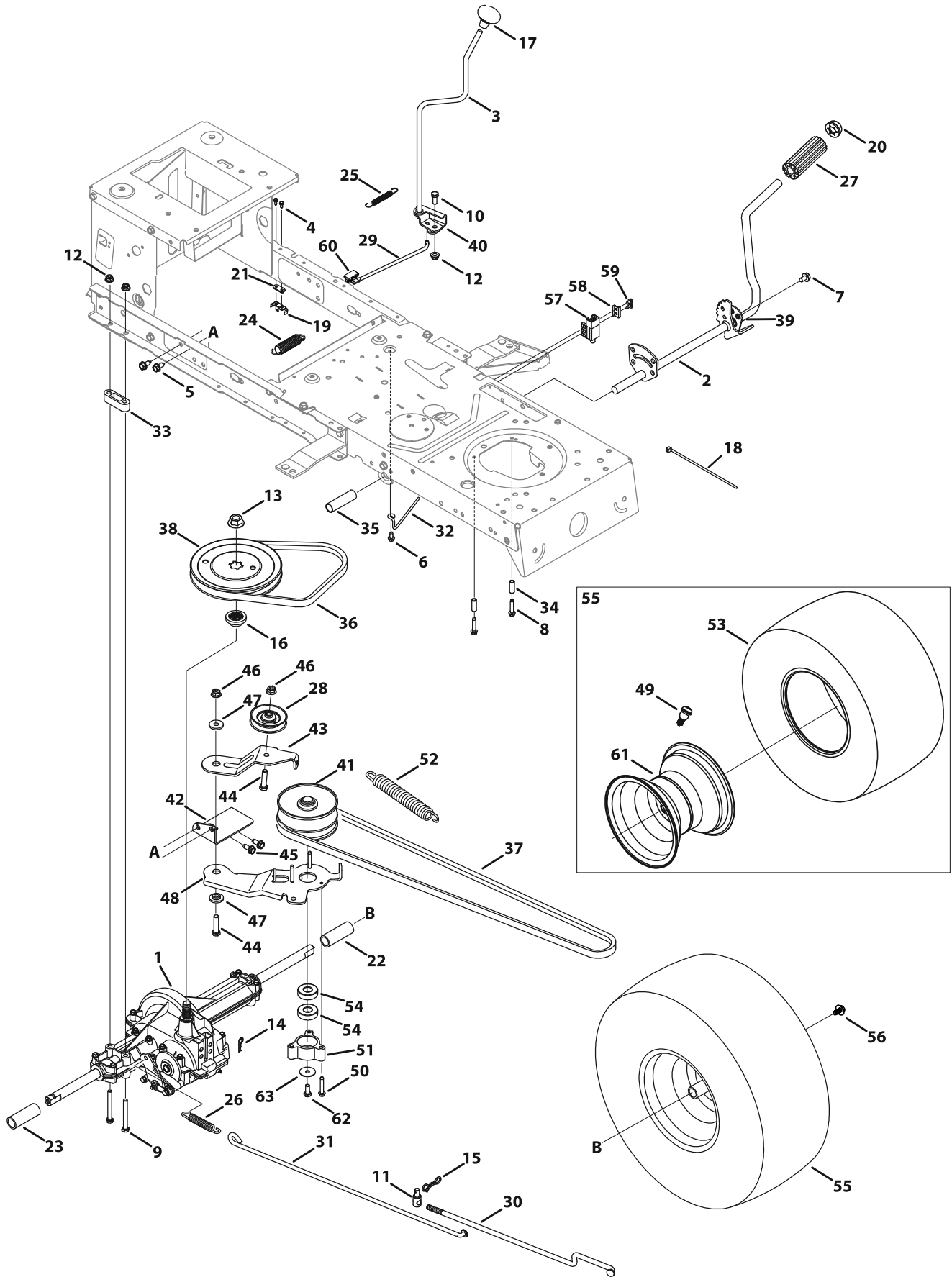
# Seat and Fender



Ref.	Part Number	Description
1	710-05070A	Screw, 1/4-20 x .500
2	710-04484	Screw, 5/16-18 x .750
3	710-0599	Screw Pan Torx Head, 1/4-20 x .500
4	731-04591A	Cup Holder
5	736-0607	Loack Washer, 5/16
6	783-04587D	Fender (Single Speed)
	783-04593E	Fender (Hydro)
7	783-04843	Lift Adjuster Bracket
8	783-1489D	Seat Mount Bracket
9	712-04063	Flangelock Nut, 5/16-18
10	732-1184	Extension Spring
11	936-0108	Flat Washer, .510x .750 x .033
12	736-0242	Bell Washer, .340 x .872 x .060
13	938-0296	Shoulder Screw, 5/16-18 x .437 x .268
14	783-0209D	Lift Seat Bracket
15	783-04081D	Pivot Seat Manual Adjust Bracket
16	710-04482	Hex Head Flange, 3/8-16 x .875
17	710-0134	Screw Carriage, 1/4-20 x .62
18	720-04061	Knob, 3/8-16 x .875
19	735-04047	Foot Pad, LH
	723-04026	Foot Pad, Abrasive, LH
20	735-04048	Foot Pad, RH
	723-04025	Foot Pad, Abrasive, RH
21	726-3046	Ratchet Clip, .250 x .500
22	710-0227	Screw, 8-18 x .500
23	726-0279	Insulator Plate
24	925-1303	Outer Seat SPring
25	726-0278	Insulator Boss Plate
26	725-1439	Inner Seat Spring
27	757-04083A	Medium Back Seat, Black, Set-up B
	757-04099	Low Back Seat, Black, Set-up B
	757-04088A	High Back Seat, Set-up B or C

**NOTE:** Tractor features vary by model. NOT all parts listed above and pictured on the previous page are standard equipment.

# Transmission (Single Speed-Hand Control)

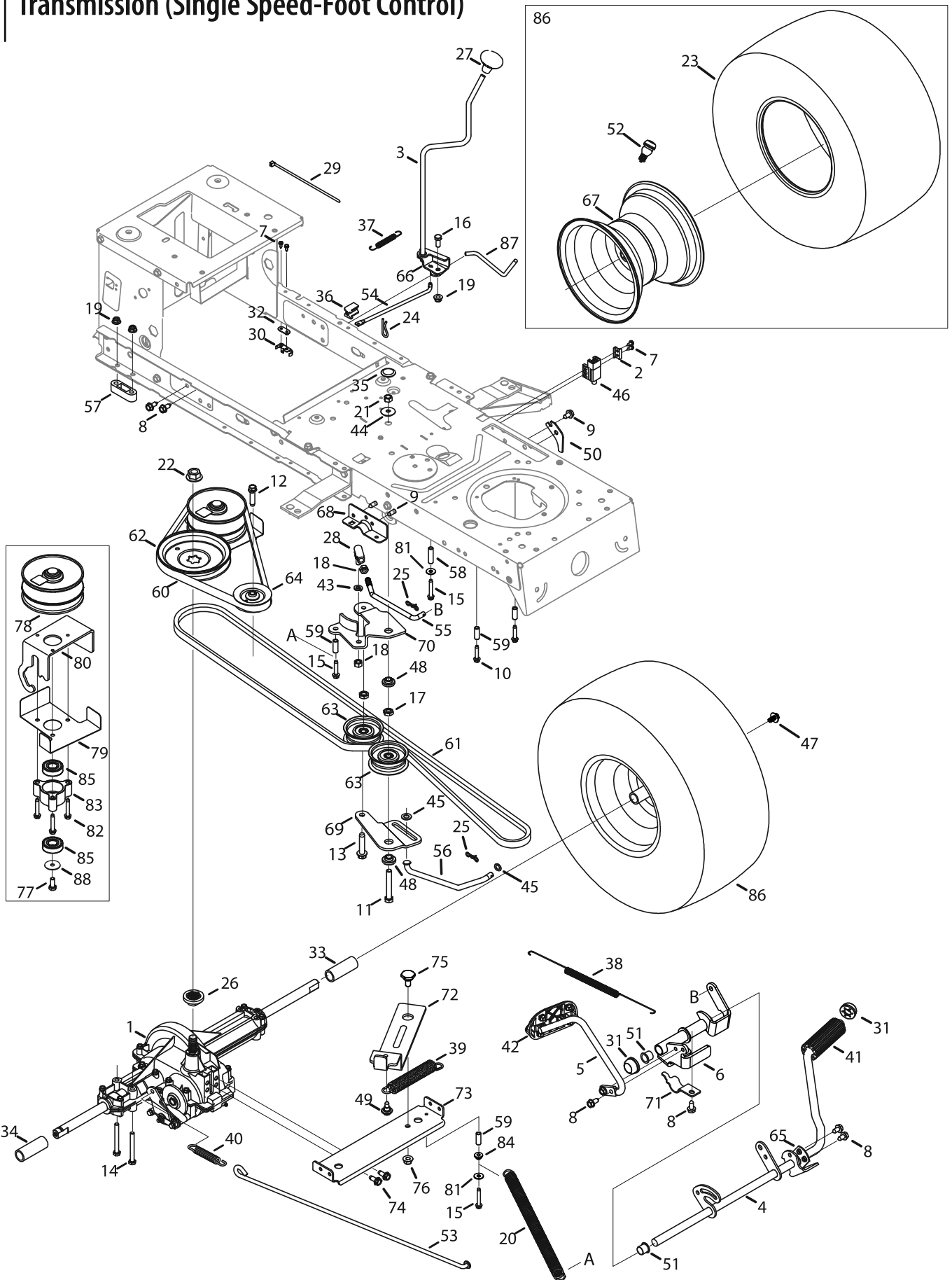


# Transmission

Ref.	Part Number	Description	Ref.	Part Number	Description
1	918-04566A	Transmission Drive Assembly	33	948-0334	Spacer, T-Axle, 42" Only
2	647-04034C	Pedal Assembly	34	750-0566A	Spacer, .260 x .375 x 1.030 LG
3	647-04266A	Shaft Lever Assembly	35	750-0802	Spacer, .640 ID x .76 OD x 2.63
4	710-0227	Screw, 8-18:0.500	36	954-05040	V Belt, 5L 35.25 POLY, 38" & 42"
5	710-04484	Screw, 5/16-18 x .750	37	954-04249A	V Belt, 5L 70.90 POLY
6	710-0599	Screw, 1/4-20 x 0.500	38	956-04002	V Pulley 7.25 DIA SPUN
7	710-0604A	Screw, 5/16-18 x 0.625	39	783-04536B	Pedal Support Bracket
8	710-0809	Screw, 1/4-20 x 1.250	40	783-04595A	Shaft Adjust Bracket
9	710-0176	Hex Screw, 5/16-18 x 2.75	41	956-04015A	Variable Speed Pulley Assembly
	710-1266	Hex Screw, 5/16-18 x 3.50	42	683-04176A	Transmission Bracket Assembly
10	710-3008	Hex Screw, 5/16-18 x .75	43	753-05147	Idler Bracket Assembly
11	711-06103	Ferrule, 3/8-24 X .375 DIA.	44	710-0347	Hex Screw, 3/8-16 x 1.75
12	712-04063	Flangelock Nut, 5/16-18	45	710-1260A	Screw, 5/16-18 x 0.750
13	712-0700	Flange Nut, 9/16-18	46	712-04065	Flangelock Nut, 3/8-16
14	914-0209	Cotter Pin INT- .125 DIA	47	938-0347	Shoulder Spacer, .625 ID x .169
15	714-04040	Bow-Tie Cotter Pin, 72	48	753-05147	Bracket Assembly
16	718-04407	Pulley Hub, 5/8 SPLINE	49	934-0255	Valve, tubeless Air
17	720-04028	Shift Knob	50	710-0778	Screw, 1/4-20 x 1.500
18	725-0157	Cable Tie	51	718-04261	Bearing Cup
19	725-1644	Short Spring Switch	52	732-04746	Extension Spring, .94 OD x 6.75 LG
20	726-0214	Push Cap, 5/8	53	734-1730	Tire, 20 X 8 X 8 Sq Shldr, 38/42"
21	926-0320	Plate Insulator Nut		734-04241-0901	Tire, 20 X 8 X 8 Rd Shldr, 38/42"
22	731-04602	Sleeve, .758 x .821 x 3.3125	54	941-0600	Ball Bearing, 17 x 40 x 12
23	731-04604	Sleeve, .758 x .821 x 2.4375	55	634-04324	Wheel, 20 x 8 x 8, 38/42"
24	732-04306	Spring Extension, .80 OD x 3.28 LG		634-0104	Wheel, 20 x 8 x 8, 38/42"
25	732-04488	Spring Extension, .38 OD x 3.25 LG	56	710-05339A	Screw, 5/16-24 x .750
26	732-0716D	Spring Extension, .59 OD x 4.00 LG	57	725-04363	Switch Interlock
27	735-0239	Foot Pad, 4.0 LONG	58	17962	Plate Switch
28	756-04325	Idler Pulley	59	738-04237A	Shoulder Screw, #10-32 x .500
29	747-05243	Shift Rod, 42"	60	731-06894	Shift Plate Bearing
	747-05244	Shift Rod, 38" & 42"	61	634-04369	Rim, 8.0 x 7.0 x .750, 38/42"
30	747-05186	Variable Speed Control Rod	62	710-0627	Hex Screw, 5/16-24 x .750
31	747-05188	Brake Rod	63	736-0362	Flat Washer, .330 x 1.25 x .06:HT
32	747-04969	Belt Keeper Rod			

**NOTE:** Tractor features vary by model. NOT all parts listed above and pictured on the previous page are standard equipment.

# Transmission (Single Speed-Foot Control)



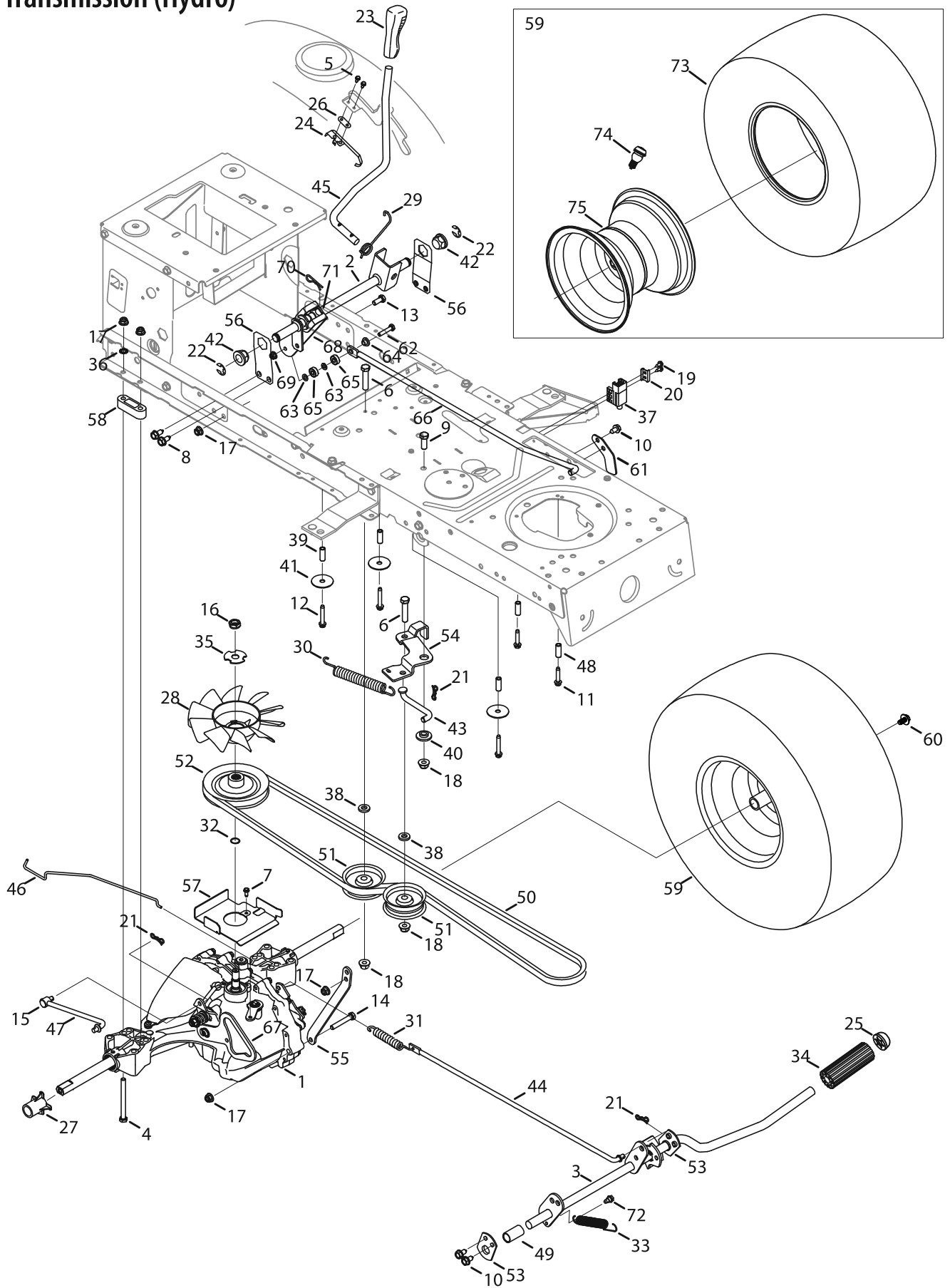


# Transmission

Ref.	Part No.	Description	Ref.	Part No.	Description
1	918-04566A	Transmission Drive Assembly	45	936-0185	Flat Washer, .375 X .738 X .063
2	17962	Plate Switch	46	725-04363	Switch Interlock
3	647-04266A	Shaft Lever Assembly	47	710-05339A	Screw, 5/16-24 x .750
4	947-04201A	Pedal Assembly, drive	48	738-0372B	Shoulder Spacer, 1.00 X .38 X .38
5	647-04203A	Pedal Assembly, control	49	738-04091A	Shoulder Screw, .43 x .29, 5/16-18
6	683-04736	Pedal Bracket Assembly	50	783-06807A	Stop Pedal Plate
7	710-0227	Screw, 8-18:0.500	51	741-0495	Fling Bearing .63 Id x .695 Od X .60
8	710-04484	Screw, 5/16-18 x .750	52	934-0255	Valve, tubeless Air
9	710-0604A	Screw, 5/16-18 x 0.625	53	747-05188	Brake Rod
10	710-0809	Screw, 1/4-20 x 1.250	54	747-05243	Shift Rod, 46"
11	710-0859	Hex Screw, 3/8-16 x 2.50	55	747-05596	Idler Adjustment Rod
12	710-1007	Screw, 3/8-16 x 1.500	56	747-05415	Transmission Bypass Rod
13	710-1858A	Screw, 3/8-16 x 1.750	57	948-0334	Spacer, T-Axle .68
14	710-1266	Hex Screw, 5/16-18 x 3.50	58	750-04456	Spacer, .260 X .372 X 1.420 Lg
15	710-1026	Screw, 1/4-20 x 1.75	59	750-0566A	Spacer, .260 X .375 X 1.030 Lg
16	710-3008	Hex Screw, 5/16-18 x .75	60	954-04208A	V Belt, 5L 40.9 Poly
17	912-0240	Jam Nut, 7/16-20	61	954-0467A	V Belt, 5L, 90.93 Poly
18	712-0241	Hex Nut, 3/8-24	62	956-04002	V Pulley 7.25 DIA SPUN
19	712-04063	Flangelock Nut, 5/16-18	63	756-04224	Idler Pulley
20	732-05186	Spring Extension, 1.0 OD x 11.125	64	756-04325	Idler Pulley
21	912-3000	Nut, 3/8-16, Centerlock	65	783-04536B	Pedal Support Bracket
22	712-0700	Flange Nut, 9/16-18	66	783-04595A	Shaft Adjust Bracket
23	734-1730	Tire, 20 X 8 X 8	67	634-04369	Rim, 8.0 X 7.0 X .750
24	914-0209	Cotter Pin INT- .125 DIA	68	783-06562A	Frame Pedal Bracket, Rh
25	714-04040	Bow-Tie Cotter Pin, 72	69	783-06769	Center Idler Bracket
26	718-04407	Pulley Hub, 5/8 SPLINE	70	783-06592A	Idler Bracket
27	720-04028	Shift Knob	71	783-06641A	Pedal Support Bracket
28	923-3018	Ball joint	72	753-06662	Idler Bracket Assembly
29	725-0157	Cable tie	73	683-04606	Bracket Assembly
30	725-1644	Short Spring Switch	74	710-1260A	Screw, 5/16-18 x 0.750
31	726-0214	Push Cap, 5/8	75	738-0322A	Shoulder Screw, .625 Dia. x .217
32	926-0320	Plate Insulator Nut	76	712-04065	Flangelock Nut, 3/8-16
33	731-04602	Sleeve, .758 x .821 x 3.3125	77	710-0627	Hex Screw, 5/16-24 x .750
34	731-04604	Sleeve, .758 x .821 x 2.4375	78	956-04015A	Variable Speed Pulley Assembly
35	731-06330	Plug, 7/8	79	683-04522	Belt Keeper Assembly
36	731-06894	Shift Plate Bearing	80	683-04612	Bracket Assembly
37	732-04488	Spring Extension, .38 OD x 3.25 LG	81	736-3090	Flat Washer, .260 x .720 x .060
38	732-05438	Spring Extension, .562 OD X 10.50	82	710-0778	Screw, 1/4-20 x 1.500
39	732-04616B	Spring Extension, .97 Od X 6.18 Lg	83	718-04261	Bearing Cup
40	732-0716D	Spring Extension, .59 OD x 4.00 LG	84	738-04483	Shoulder Spacer, .375 x .625 x .20
41	735-0239	Foot Pad, 4.0 Long	85	941-0600	Ball Bearing, 17 x 40 x 12
42	735-04272	Control Pad	86	634-0104	Wheel, 20 x 8 x 8
43	936-0169	Lock Washer 3/8	87	747-05430	Spring Retainer Rod
44	736-3040	Flat Washer, .406 x 1.920 x .060	88	736-0362	Flat Washer, .330 x 1.25 x .06:HT

**NOTE,** Tractor features vary by model. NOT all parts listed above and pictured on the previous page are standard equipment.

# Transmission (Hydro)

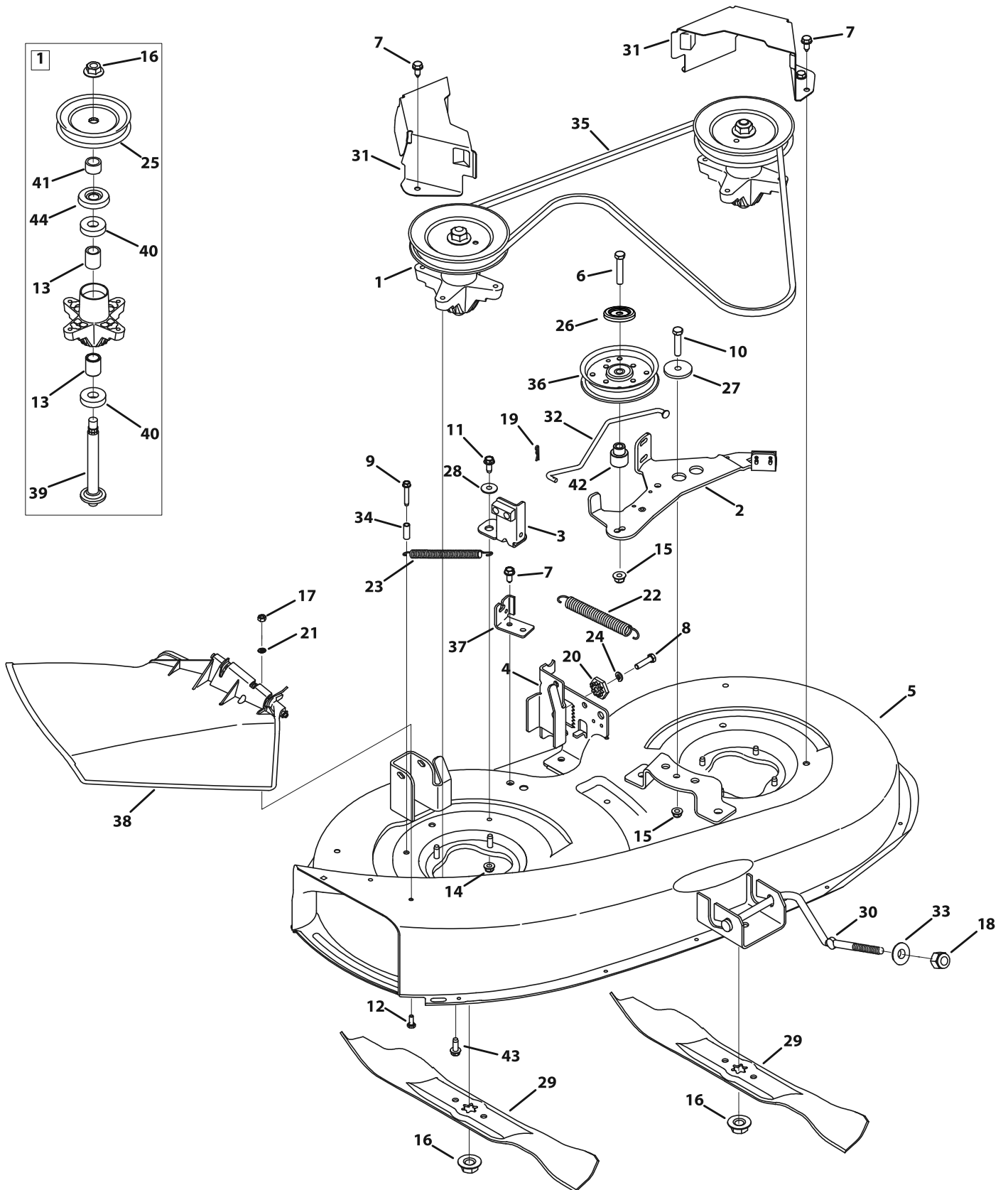


# Transmission

Ref. No.	Part No.	Description	Ref. No.	Part No.	Description
1	918-04892C	Hydro Transmission	39	750-04456	Spacer, .260 x .372 x 1.420
2	647-04200A	Hydro Handle Control Assembly	40	738-04430	Shldr Spacer, 1.375 ID X .380 x 1.54
3	647-04261A	Hydro Pedal Assembly	41	736-0430	Flat Washer, .350 x 1.59 x .062
4	710-1266	Hex Screw, 5/16-18 x 3.5	42	941-0225	Hex Flange Bearing
5	710-0227	Screw, #8-18:0.500	43	747-05603	Declutching Rod
6	710-0347	Hex Screw, 3/8-16:1.75	44	747-05242A	Brake Rod
7	710-04997	Screw, #10-24:0.400	45	747-04296A	Hydro Control Handle
8	710-04484	Screw, 5/16-18:.750	46	747-05245	Hydro Bypass Rod
9	710-0514	Hex Screw, 3/8-16:1.00	47	747-04407A	Hydro Control Rod
10	710-0604A	Screw, 5/16-18:0.625	48	750-0566A	Spacer, .260 x .375 x 1.030 LG
11	710-0809	Screw, 1/4-20:1.250	49	750-05593	Spacer, .640 ID X .76 OD X 1.60
12	710-1026	Screw, 1/4-20 x 1.75	50	954-04252	V Belt, 4L SEC X 84.17
13	710-3008	Hex Screw, 5/16-18:.75	51	756-04224	Flat Idler Pulley 2.75 OD
14	710-3103	Screw, 5/16-18 x 2.00	52	756-04308	Input Pulley
15	711-04448	Ferrule, 5/16-24 X .312 DIA.	53	783-04536B	Support Pedal Bracket
16	912-0346	Jamlock Nut, 1/2-20	54	783-04570B	Idler Arm
17	712-04063	Flangelock Nut, 5/16-18	55	783-06551	Torque Bracket
18	712-04065	Flangelock Nut, 3/8-16	56	783-04585A	Handle Bracket
19	728-04021	Rivet	57	783-06558	Belt Support Bracket
20	17962	Plate Switch	58	948-0334	Spacer, T-Axle
21	714-04040	Cotter Pin, Bow Tie	59	634-0104-0911	Wheel, 20 x 8 x 8 - Grey
22	716-0106A	E Rign, .625 DIA	60	710-05339A	Screw, 5/16-24 x .750
23	720-0311	Handle Grip	61	783-06807A	Stop Pedal Plate
24	725-04249	Hydro Spring Switch	62	710-0606	Hex Screw, 1/4-20 x 1.50
25	726-0214	Push Cap, 5/8	63	936-0329	Lock Washer, 1/4
26	926-0320	Insulator Plate Nut	64	738-04483	Shoulder Spacer, .375 x .625 x .20
27	731-08237	Sleeve, .765 ID X 2.11 LG	65	741-04280	Ball Bearing, .25 x .6875 x .25
28	731-06098	Hydro Fan	66	747-05598A	Hydro Rod, RTN
29	732-04225	Torsion Spring	67	783-06750A	Cam Bracket, RTN
30	732-04229	Extension Spring, .75 DIA. X 6.02	68	783-06756	Pivot Bracket, RTN
31	732-0716D	Extension Spring, .59 OD X 4.00 LG	69	712-04064	Nut, Flange Lock, 1/4-20, GrF
32	732-0729	Wire Ring	70	914-0145	Click Pin, .092 x 1.64 LG
33	732-04587	Extension Spring, .63 DIA X 4.95 LG	71	741-3065B	Hex Flange Bearing, .628 ID
34	735-0239	Foot Pad, 4.0	72	738-04278	Shoulder Screw, 1/4-20 x 0.50
35	736-04263	Lock Washer, TRANS HYDRO	73	734-1730	Tire, 20 X 8 X 8
36	736-0607	Lock Washer, 5/16 EXT TOOTH	74	934-0255	Valve, tubeless Air
37	925-04039	Switch Interlock	75	634-04369	Rim, 8.0 X 7.0 X .750
38	736-3010	Flat Washer, .407X.812X.135:HT	—	725-04990	Harness, Jmpr, Hydro

**NOTE,** Tractor features vary by model. NOT all parts listed above and pictured on the previous page are standard equipment.

# 38" Deck

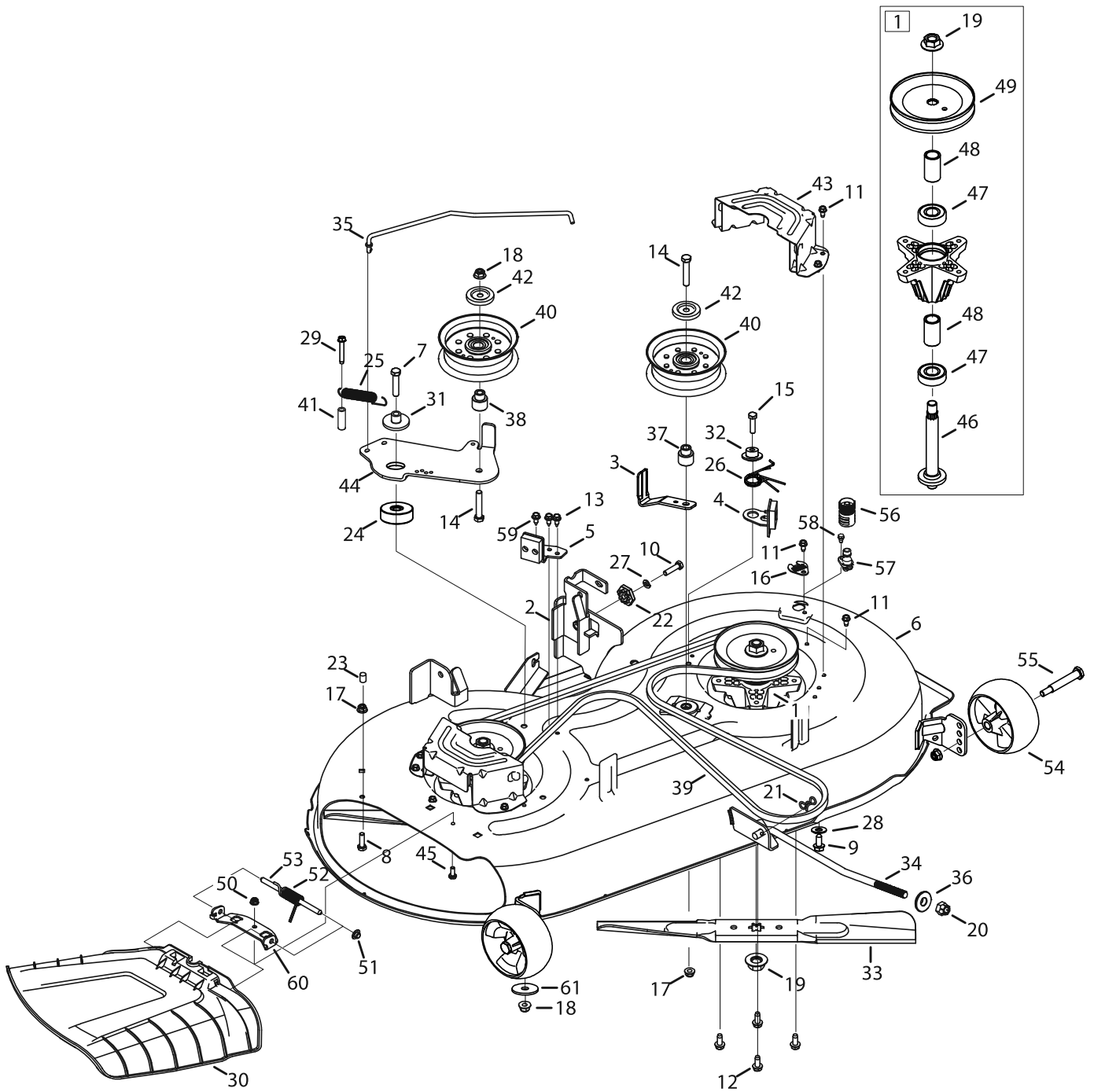


Ref.	Part Number	Description
1	918-04474B	5.75" Pulley Spindle Assembly
2	683-04138C	Deck Brake Assembly
3	983-04167	Deck Brake Assembly
4	683-0254B	LH Deck Hanger Bracket
5	983-04263	38" Deck Assembly
6	710-0347	Hex Screw, 3/8-16 x 1.75
7	710-04484	Screw, 5/16-18 x .750
8	710-0528	Hex Screw, 5/16-18 x 1.25
9	710-0778	Screw, 1/4-20 x 1.50
10	710-3005	Hex Screw, 3/8-16 x 1.25
11	710-3008	Hex Screw, 5/16-18 x .75
12	710-0751	Hex Screw, 1/4-20 x .62
13	750-1000	Spacer, .80 x 1.10 x 1.322 LG
14	712-04063	Flangelock Nut, 5/16-18
15	712-04065	Flangelock Nut, 3/8-16
16	712-0417A	Flange Nut, 5/8-18
17	712-04064	Flangelock Nut, 1/4-20
18	712-04243	Hex Nut, 1/2-13
19	714-04040	Bow-tie Cotter Pin
20	917-04074	Deck Adjuster Gear
21	726-0233	Push Nut, .25 x .50
22	732-04280B	Extension Spring, .75 x 6.375

Ref.	Part Number	Description
23	732-04287	Extension Spring, .500 x 6.375
24	936-0119	Lock Washer, 5/16
25	756-05097	Deck Pulley, 5.75
26	783-08389	Pulley Cap
27	738-04162C	Shoulder Spacer, .8840 x .190
28	738-04166	Shoulder Spacer, .5000 x .1475
29	942-0610A	3 in 1 Blade
30	747-04322	38" Front Adjust Deck Rod
31	783-04602C	Belt Cover
32	747-04381	38" Brake Control Rod
33	748-04069	Deck Lift, Pivot Cup
34	750-0566A	Spacer, .260 x .375 x 1.030
35	954-04062	V Type Belt
36	756-05042	Idler Pulley
37	783-04740	Deck Engage Cable Bracket
38	631-05229	Chute Assembly
39	938-04241	Spindle Shaft, 5.50
40	941-0919B	Ball Bearing, .787ID x 1.85 OD x .551
41	750-04739	Spacer, .820 x 1.150 x .480 LG
42	748-05029A	Shoulder Spacer, Idler
43	710-1260A	Screw, 5/16-18 x 0.750
44	783-08435	Bearing Shield

**NOTE:** Tractor features vary by model. NOT all parts listed above and pictured on the previous page are standard equipment.

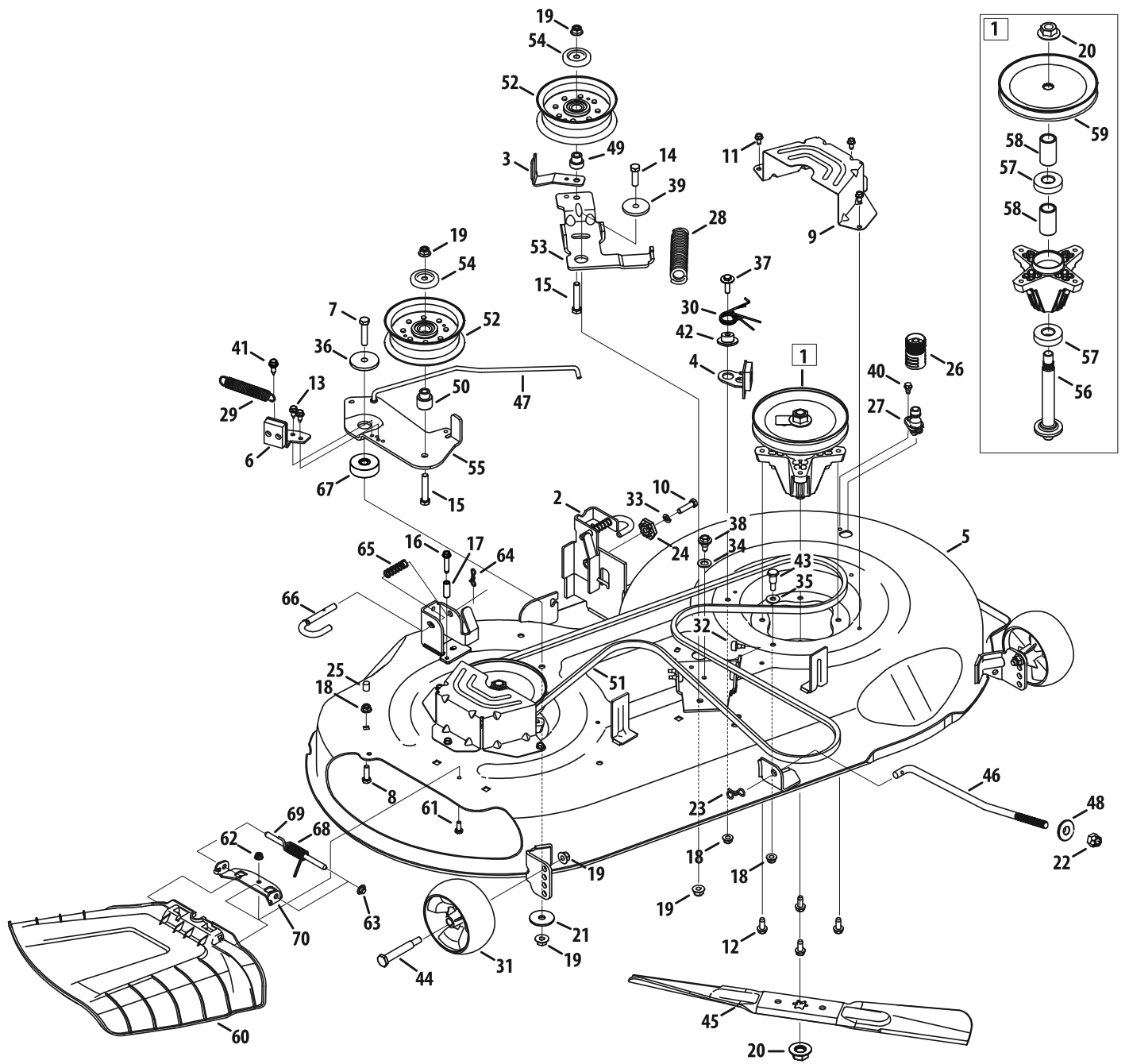
# 42" Deck



Ref.	Part Number	Description	Ref.	Part Number	Description
1.	918-06991	Spindle Ass'y, Pulley, 6.2 Dia	31.	738-05082	Shoulder Spacer, .970 x .190
2.	683-0254B	Bracket Ass'y, Deck, Hanger LH	32.	738-05088	Shoulder Spacer, .75 x .145
3.	783-08690	Belt Keeper	33.	942-04308	Blade, Cut, 21.23" 2-In-1, Econ
4.	983-05183	Brake Assembly, Deck, LH	34.	747-05141B	Rod, Lift, Deck, Frt, 12.7
5.	983-05182	Brake Assembly, Deck, RH	35.	747-06538	Brake Rod
6.	983-05184	Deck Assembly, 42"	36.	748-04069	Deck Lift Pivot Cup
	983-05185	Deck Assembly, 42", w/o wheels	37.	748-05029A	Shoulder Spacer, Idler
7.	710-0347	Hex Screw, 3/8-16 x 1.75	38.	748-05037B	Shoulder Spacer, Pivot Idler
8.	710-0376	Hex Cap Screw, 5/16-18 x 1.00	39.	954-04060C	Belt, V Type, A Sec X 96.5
9.	710-04484	Screw, Self-tapping, 5/16-18, .750	40.	756-05034	Pulley, Idler, 4.50" Dia
10.	710-0528	Hex Screw, 5/16-18, 1.25, Gr5, Std	41.	750-0566A	Spacer, .260 x .375 x 1.030
11.	710-0599	Screw, Self-tapping, 1/4-20, 0.500	42.	783-08389	Pulley Cap
12.	710-1260A	Screw, 5/16-18 x 0.750	43.	783-08510	Deck Belt Cover, 42
13.	710-06133	Screw, M6-1 x .625	44.	783-08654B	Deck Idler Bracket
14.	710-3096	Hex Screw, 3/8-16, 2.00, Gr8, Std	45.	710-0751	Hex Cap Screw, 1/4-20 x .62
15.	710-06213	Hex cap Screw, 5/16-18 x 1.25	46.	738-1186A	Shift, Spindle, 6.11.
16.	783-06464	Deck Wash Plug	47.	941-0919B	Bearing, Ball, .787id x 1.85 Odx.551
17.	712-04063	Nut, Flange Lock, 5/16-18, Grf	48.	750-04936	Spacer, .792 x 1.060 x 1.860
18.	712-04065	Nut, Flange Lock, 3/8-16, Grf	49.	756-05031	Pulley, Deck, 5.4 Dia
19.	712-0417A	Nut, Flange, 5/8-18	50.	712-04064	Nut, Flange Lock, 1/4-20, Nylon
20.	712-04243	Flange Lock Nut, 1/2-13	51.	726-04009	Push Cap
21.	714-04043	Bow-Tie Cotter Pin	52.	732-05261	Spring, Torsion, .440 ID x 1.75
22.	917-04074	Gear, Deck, Adjustment	53.	747-06290B	Hinge Pin
23.	720-05010	Cap, .290 x .500	54.	734-04155	Wheel, Deck, 5.0 Dia Ball
24.	750-06184	Spacer, .385 x 1.75 x .585	55.	938-3056	Bolt, Shoulder, .496 x 2.50, 3/8-16
25.	732-04629	Extension Spring, .750 X 4.77	56.	921-04041	Water Nozzle Adapter
26.	732-05151A	Torsion Spring, LH	57.	731-07487	Deck Wash Nozzle
27.	936-0119	Washer, Lock, 5/16, Regular Duty	58.	738-04278	Shoulder Screw, 1/4-20 x 0.50
28.	936-0300	Flat Washer, .406 x .875 x .059	59.	738-04184A	Shoulder Screw, 1/4-20
29.	710-0778	Screw, Self Tapping, 1/4-20, 1.50	60.	783-08504A	Bracket, Chute, 42"
30.	631-04354B	Chute Deflector Assembly	61.	936-3039	Flat Washer, .406 x 1.50 x .105

**NOTE:** Tractor features vary by model. NOT all parts listed above and pictured on the previous page are standard equipment.

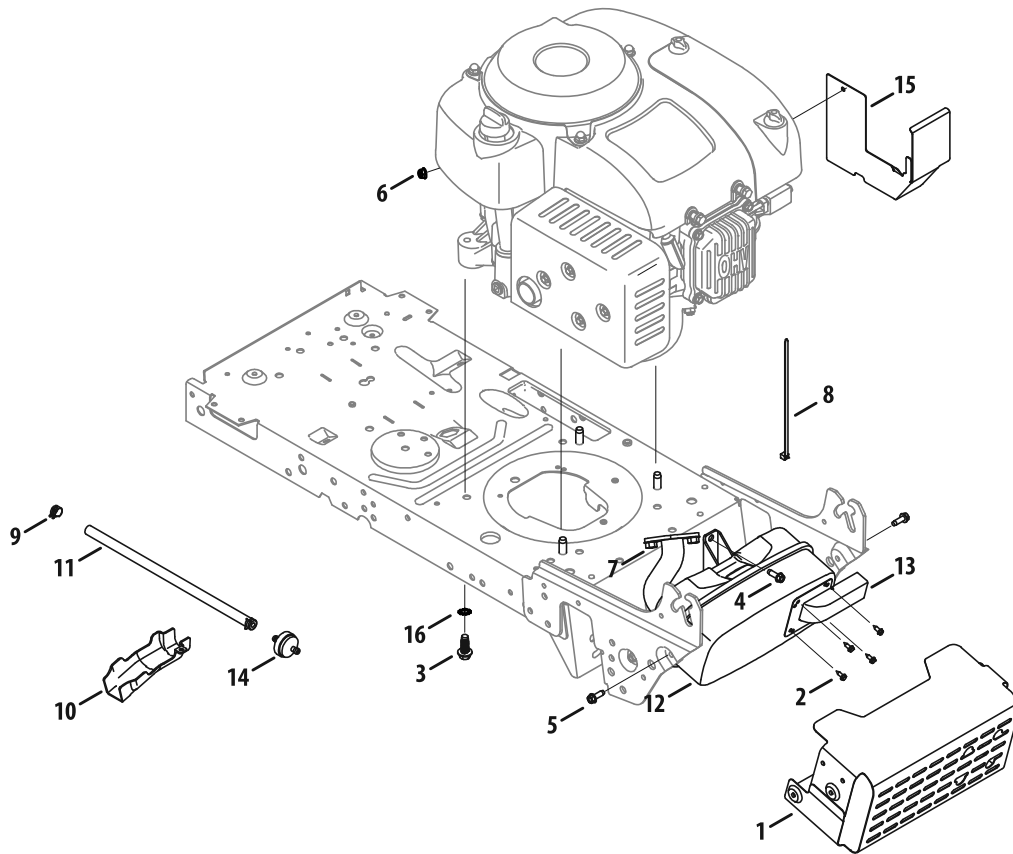
# 46" Deck





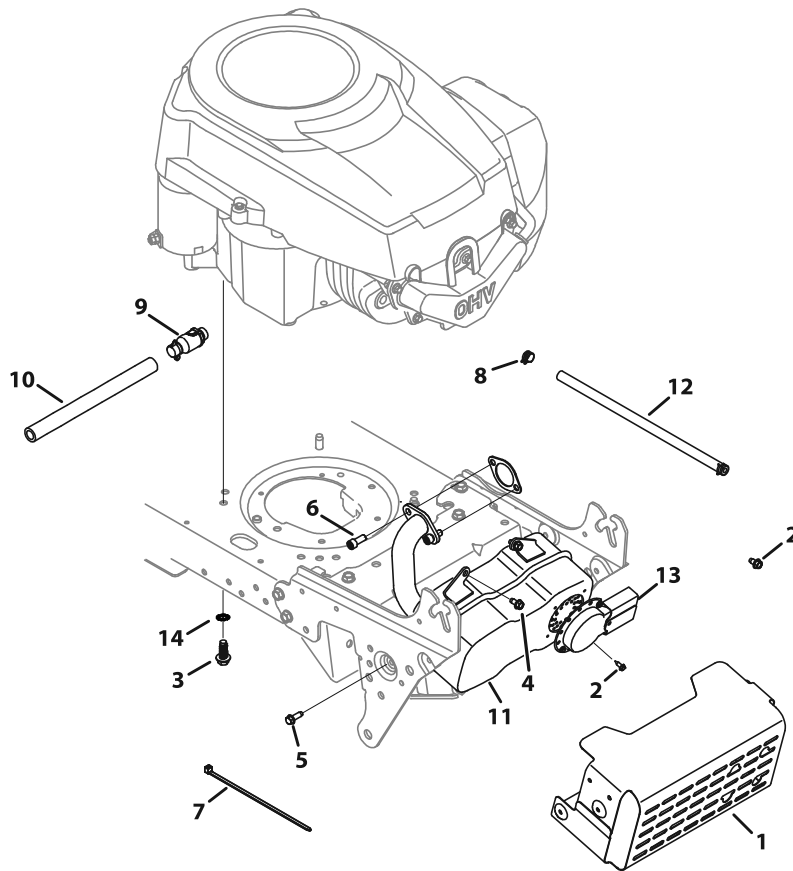
Ref.	Part Number	Description	Ref.	Part Number	Description
1.	918-06989	Spindle Assembly, Pul 6.74 Dia	36.	738-05082	Shoulder Spacer, .970 X .190
2.	683-0254B	Bracket Assembly, Deck Hanger, LH	37.	710-06213	Hex Cap Screw, 5/16-18 x 1.25
3.	783-08690	Belt Keeper	38.	738-04091A	Shoulder Spacer, .43 x .29, 5/16-18
4.	983-05183	Brake Assembly, Deck, LH	39.	738-04162C	Shoulder Spacer, .8840 X .190
5.	983-05196	Deck Assembly, 46t, 2w	40.	738-04278	Shoulder Screw, 1/4-20 x 0.50
6.	983-05182	Brake Assembly, Deck, RH	41.	738-04184A	Shoulder Screw, .368 x .113 x 1/4-20
7.	710-0347	Hex Screw, 3/8-16 x 1.75	42.	738-05088	Shoulder Spacer, .75 x .145
8.	710-0376	Hex Cap Screw, 5/16-18 x 1.00	43.	738-0754	Shoulder Screw, .437 Dia. X .54
9.	783-08547	Deck Belt Cover, 46	44.	938-3056	Bolt, Shoulder, .496 x 2.50, 3/8-16
10.	710-0528	Hex Screw, 5/16-18, 1.25, Gr5, Std	45.	942-04290	Blade, Cut, 23.25" 2-In-1, Econ
11.	710-0599	Screw, Self-tapping, 1/4-20, 0.500	46.	747-05141B	Rod, Lift, Deck, Medium
12.	710-1260A	Screw, 5/16-18 x 0.750	47.	747-06538	Brake Rod
13.	710-06133	Screw, M6-1 x .625	48.	748-04069	Pivot Cup, Deck List
14.	710-3005	Hex Screw, 3/8-16 x 1.25	49.	748-05029A	Shoulder Spacer, Idler
15.	710-3096	Hex Head Screw, 3/8-16 x 2.00	50.	748-05037B	Shoulder Spacer, Pivot Idler
16.	710-0809	Screw, 1/4-20 x 1.25	51.	954-04219	Belt, V-Typ, A Sec
17.	750-0566A	Spacer, .260 x .375 x 1.030	52.	756-05034	Pulley, Idler, 4.50" Dia
18.	712-04063	Nut, Flange Lock, 5/16-18, Nylon	53.	783-08618	Bracket, Idler, 46" Lh
19.	712-04065	Nut, Flange Lock, 3/8-16, Nylon	54.	783-08389	Pulley Cap
20.	712-0417A	Nut, Flange, 5/8-18	55.	783-08654B	Deck Idler Bracket
21.	936-3039	Flat Washer, .406 x 1.500 x .105	56.	738-1186A	Spindle Shaft, 6.05 LG.
22.	712-04243	Flange Lock Nut, 1/2-13	57.	941-0919B	Ball Bearing, .787ID X 1.85 ODX.551
23.	714-04043	Bow-Tie Cotter Pin	58.	750-04936	Spacer, .792 X 1.060 X 1.860 LG
24.	917-04074	Gear, Deck Adjustment	59.	756-05030	Deck Pulley, 6.74 DIA
25.	720-05010	Cap, .290 x .500	60.	631-04354B	Chute Deflector Assembly
26.	921-04041	Water Nozzle Adapter	61.	710-0751	Hex Cap Screw, 1/4-20 x .62
27.	731-07487	Deck Wash Nozzle	62.	712-04064	Nut, Flange Lock, 1/4-20, Nylon
28.	732-04909	Spring, Extension, 1.05 X 6.346	63.	726-04009	Push Cap
29.	732-04629	Spring, Extension, .750 x .477	64.	714-04040	Bow-Tie Cotter Pin, 72
30.	732-05151A	Torsion Spring, LH	65.	732-04652	Spring, Compression, .535 x 1.751
31.	734-04155	Wheel, Deck, 5.0 Dia Ball	66.	747-1116	Rod, Deck Release
32.	735-0271A	Bumper, .62 Dia X .3	67.	750-06184	Spacer, .385 ID x 1.75 OD x .585
33.	936-0119	Washer, Lock, 5/16, Regular Duty	68.	732-05261	Spring, Torsion, .440 ID x 1.75
34.	936-0226	Washer, Flat, .474 x .879 x .064	69.	747-06290B	Hinge Pin
35.	736-0371	Washer, Flat, .343 X .880 X .062	70.	783-08504A	Bracket, Chute, 42"

**NOTE:** Tractor features vary by model. NOT all parts listed above and pictured on the previous page are standard equipment.



Ref. No.	Part No.	Description
1	683-04549A	Muffler Shield Assembly with Weld
2	710-0227	Screw, 8-18 x .500
3	710-04683C	Screw, 3/8-16 x 1.0
4	710-0599	Screw, 1/4-20 x .500
5	710-0642	Screw, 1/4-20 x .750
6	912-0691	Nut, Hexlock, M6, Nylon
7	712-3086	Flange Nut, M8-1.25
8	725-0157	Cable Tie
9	726-0205	Clamp Hose, .490 diameter
10	731-05628	Oil Drain Sleeve
11	751-10349-28	Fuel Hose, Low Permeation
12	951-14527	Muffler
13	751-11053A	Muffler Deflector
14	BS-298090S	Fuel Filter
15	783-08122	Deflector Bracket
16	736-0148	Lock Washer, 3/8

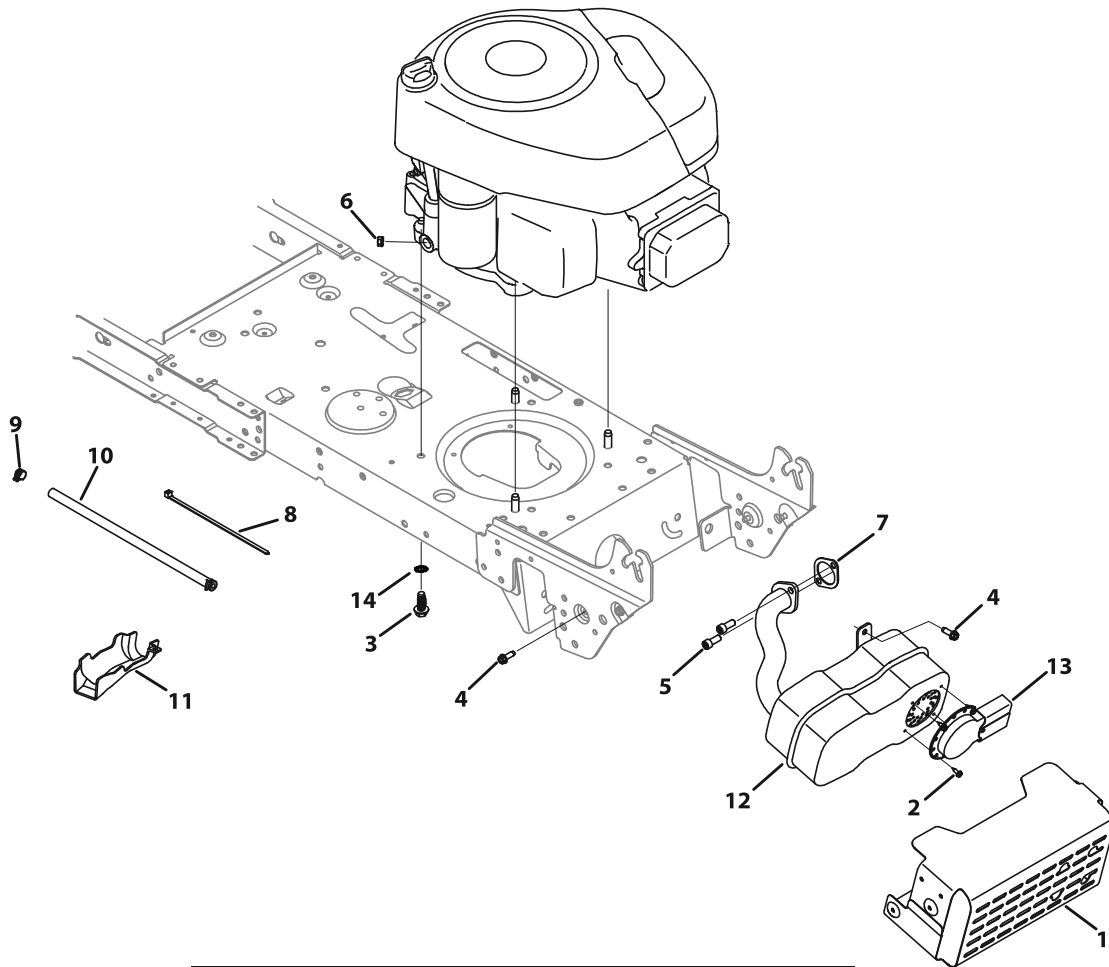
NOTE: Tractor features vary by model. NOT all parts listed and pictured above are standard equipment.



Ref.	Part Number	Description
1	683-04549A	Muffler Shield Assembly with Weld
2	710-0227	Screw, 8-18 x .500
3	710-04683C	Screw, 3/8-16 x 1.0
4	710-0599	Screw, 1/4-20 x .500
5	710-0642	Screw, 1/4-20 x .750
6	710-1314A	Socket Screw, 5/16-18 x .750
7	725-0157	Cable Tie
8	726-0205	Clamp Hose, .490 diameter
9	951-10517A	Oil Drain
10	751-3141-14	Oil Drain, Extension Hose
11	951-11943A	Muffler
12	751-10349-28	Fuel Hose, Low Permeation
13	751-11053A	Muffler Deflector Long
14	736-0148	Lock Washer, 3/8

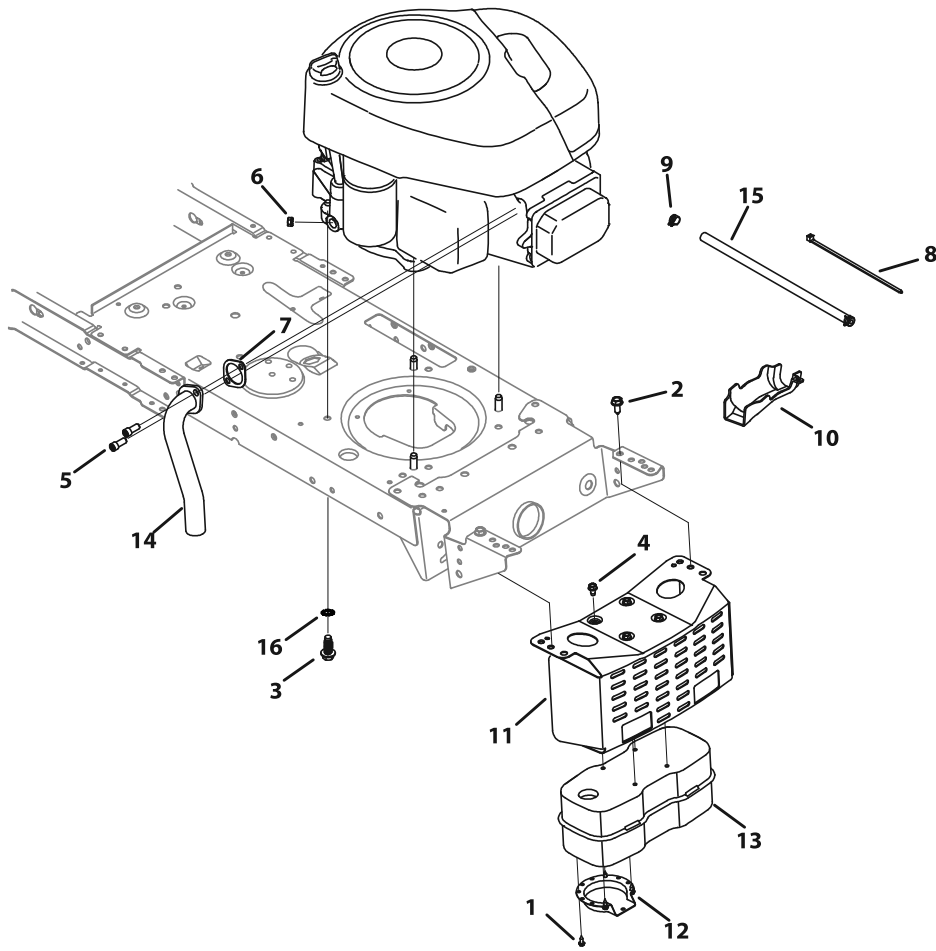
NOTE: Tractor features vary by model. NOT all parts listed and pictured above are standard equipment.

# B&S Model 28



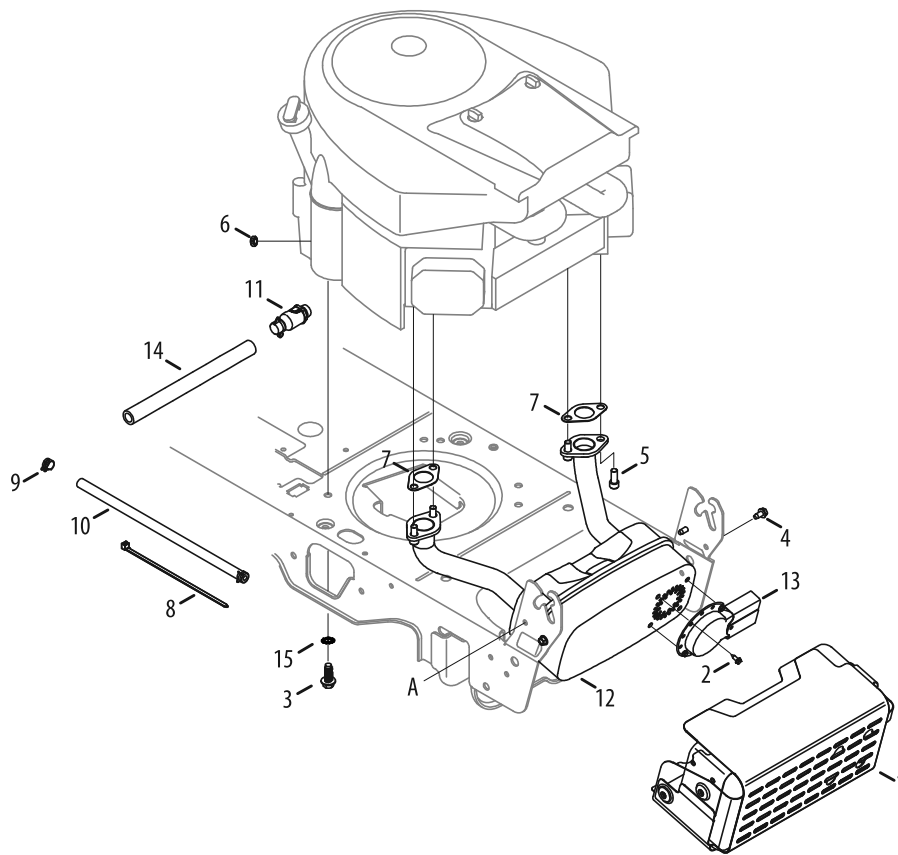
Ref.	Part Number	Description
1	683-04549A	Muffler Shield Assembly with Weld
2	710-0227	Screw, 8-18 x .500
3	710-04683C	Screw, 3/8-16 x 1.0
4	710-0642	Screw, 1/4-20 x .750
5	710-1314A	Socket Screw, 5/16-18 x .750
6	712-0271	Sems Nut, 1/4-20
7	BS-692236	Exhaust Gasket, 10 HP Briggs
8	725-0157	Cable Tie
9	726-0205	Clamp Hose, .490 diameter
10	751-10349-28	Fuel Hose, Low Permeation
11	731-05628	Oil Drain Sleeve
12	951-10448D	Muffler, Single Inlet
13	751-11053A	Muffler Deflector Long
14	736-0148	Lock Washer, 3/8

NOTE: Tractor features vary by model. NOT all parts listed and pictured above are standard equipment.



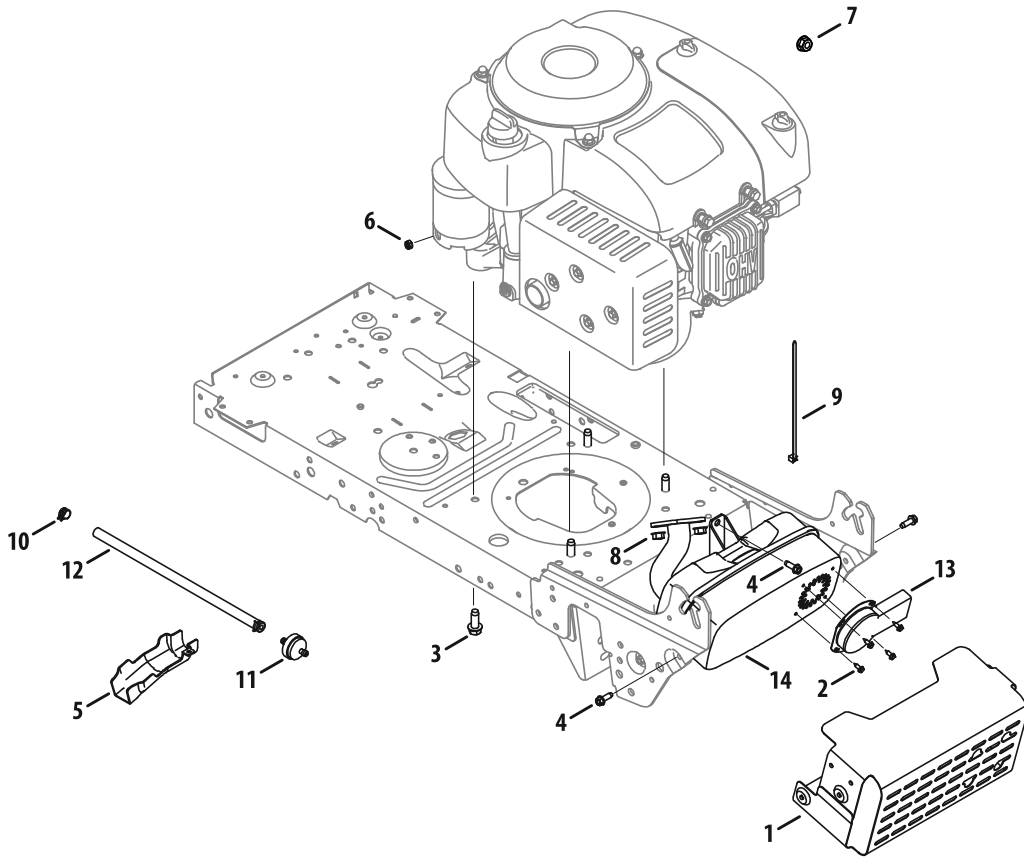
Ref.	Part Number	Description
1	710-0227	Screw, 8-18 x .500
2	710-04484	Screw, 5/16-18 x .750
3	710-04683C	Screw, 3/8-16 x 1.000
4	710-0599	Screw, 1/4-20 x .500
5	710-1314A	Socket Screw, 5/16-18 x .750
6	712-0271	Sems Nut, 1/4-20
7	BS-692236	Exhaust Gasket, 10 HP Briggs
8	725-0157	Cable Tie
9	726-0205	Hose Clamp, .490 Diameter
10	731-05628	Oil Drain Sleeve
11	783-0615E	Muffler Bracket
12	751-0564B	Muffler Deflector
13	951-0617C	Single Inlet Muffler
14	751-0619B	Exhaust Pipe, Single Briggs
15	751-10349-28	Fuel Hose, Low Permeation
16	736-0148	Lock Washer, 3/8

NOTE: Tractor features vary by model. NOT all parts listed and pictured above are standard equipment.



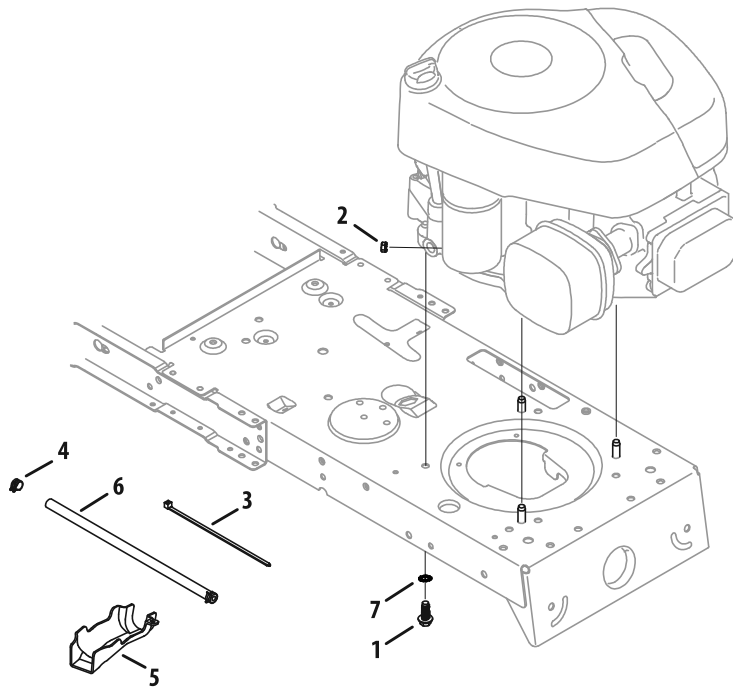
Ref.	Part Number	Description
1	683-04549A	Muffler Shield Assembly
2	710-0227	Screw, Indented Washer, #8-18:0.500
3	710-04683C	Taptite Screw, 3/8-16:1.000
4	710-0642	Taptite Screw, 1/4-20:0.750
5	710-1314A	Socket Head Screw, 5/16-18:.750
6	712-0271	Sems Nut, 1/4-20
7	721-0460	Exhaust Gasket
8	725-0157	Cable Tie, 3/16 x .05 x 7.4
9	726-0205	Hose Clamp, .490 DIA.
10	751-10349	Fuel Hose
11	951-10517A	Oil Drain
12	951-10542A	Muffler
13	751-11053A	Muffler Deflector
14	751-3141-14	Oil Drain Extension Hose
15	736-0148	Lock Washer, 3/8

NOTE: Tractor features vary by model. NOT all parts listed and pictured above are standard equipment.



Ref.	Part Number	Description
1	683-04549A	Muffler Shield Assembly with Weld
2	710-0227	Screw, 8-18 x .500
3	710-04683C	Screw, 3/8-16 x 1.0
4	710-0599	Screw, 1/4-20 x .500
5	731-05628	Oil Drain Sleeve
6	912-0691	Nut, M6-1, Hexlock
7	912-3005	Flange Lock Nut, 3/8-16
8	712-3086	Flange Nut, M8-1.25
9	725-0157	Cable Tie
10	726-0205	Clamp Hose, .490 diameter
11	BS-298090S	Fuel Filter
12	751-10349	Fuel Hose
13	751-11053A	Muffler Deflector Long
14	951-14585	Muffler, Single Inlet

NOTE: Tractor features vary by model. NOT all parts listed and pictured above are standard equipment.

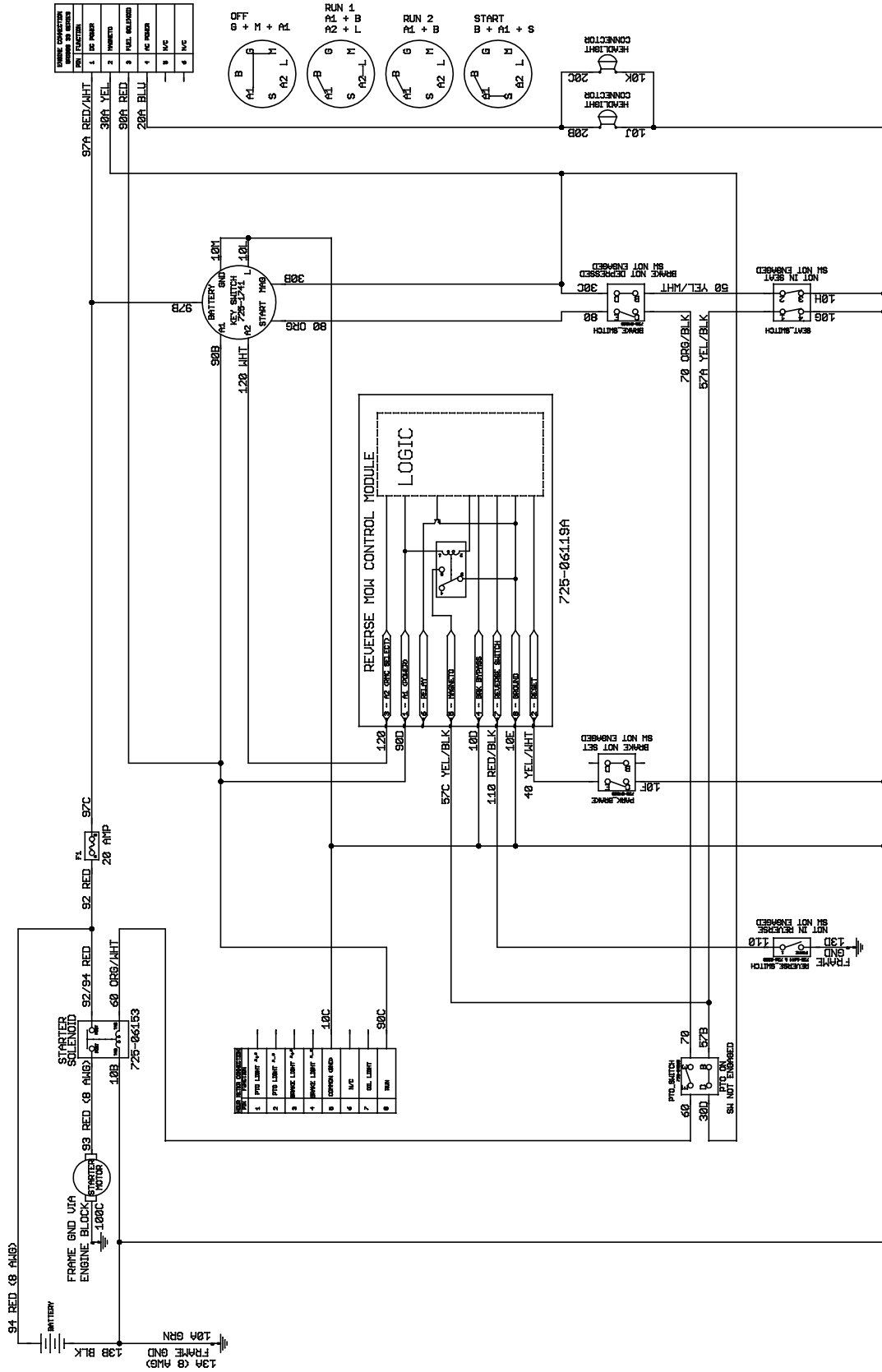


Ref.	Part Number	Description
1	710-04683C	Screw, 3/8-16 x 1.0
2	712-0271	Sems Nut, 1/4-20
3	725-0157	Cable Tie
4	726-0205	Clamp Hose, .490 diameter
5	731-05628	Oil Drain Sleeve
6	751-10349	Fuel Hose, Low Permeation
7	736-0148	Lock Washer, 3/8

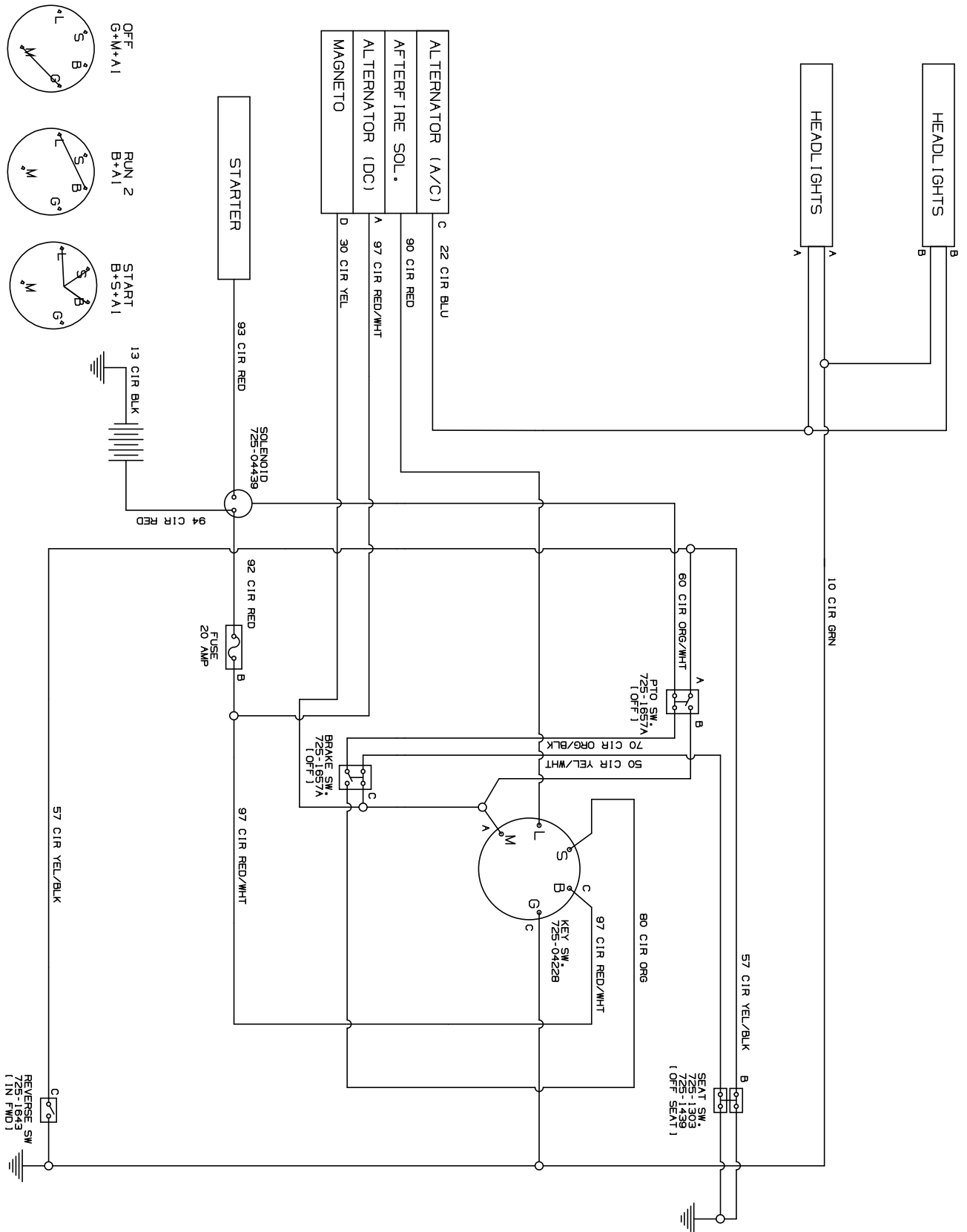
NOTE: Tractor features vary by model. NOT all parts listed and pictured above are standard equipment.



# Wiring Harness Schematic - 725-06314

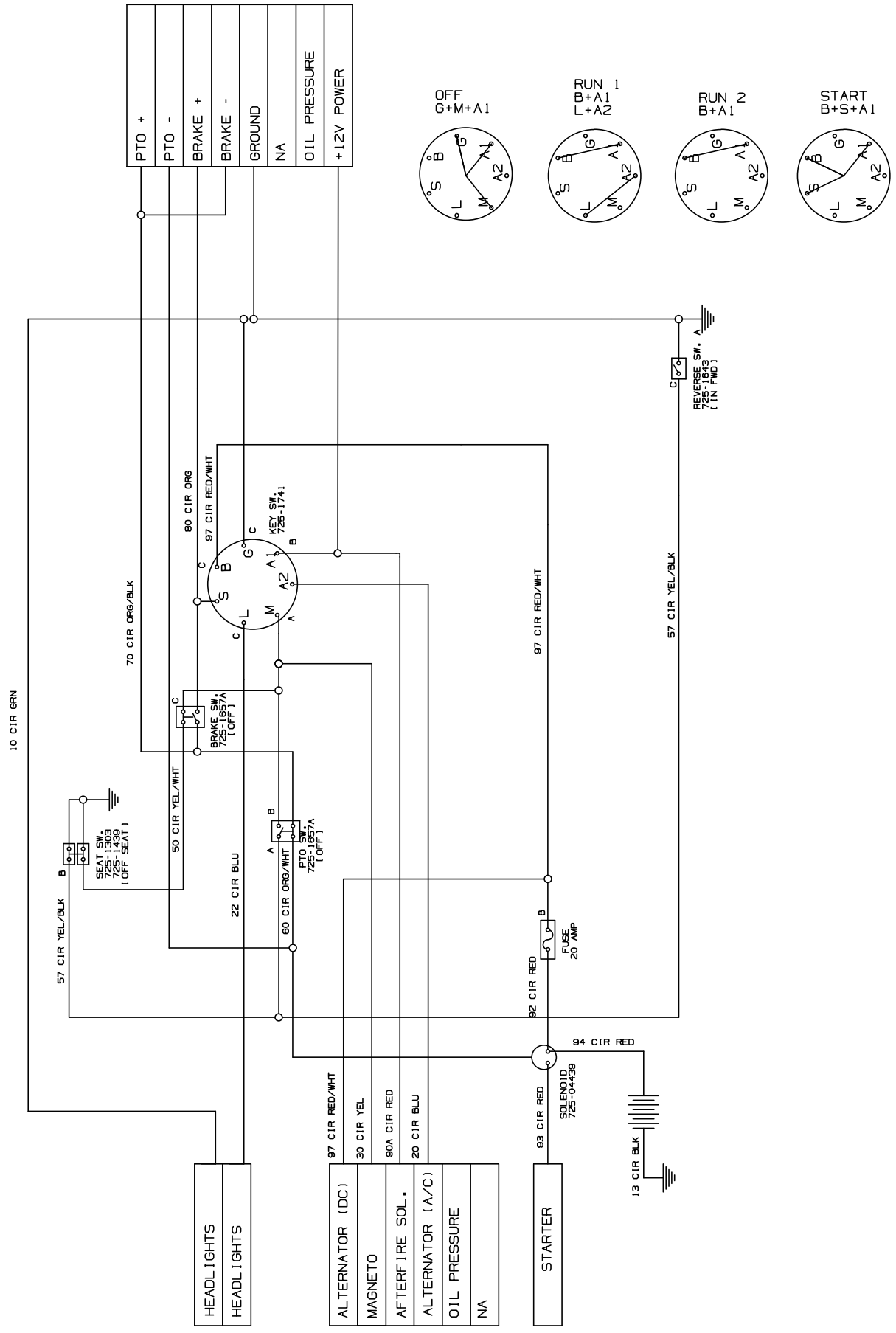


# Wiring Harness Schematic - 725-04567H



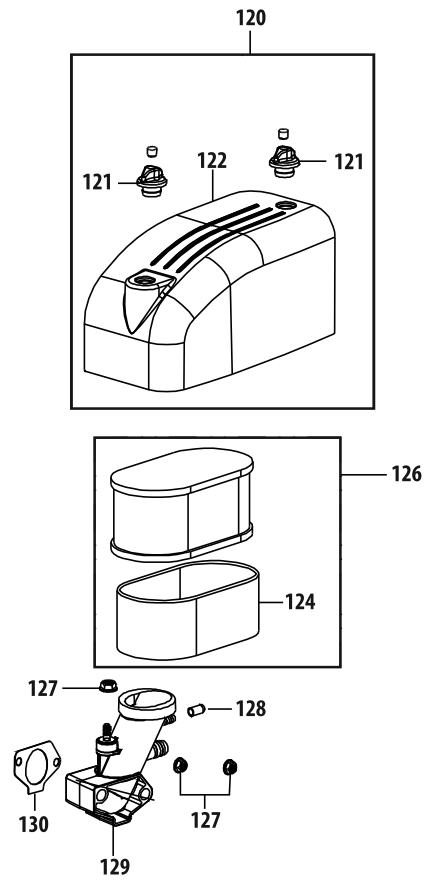


# Wiring Harness Schematic - 725-05320B



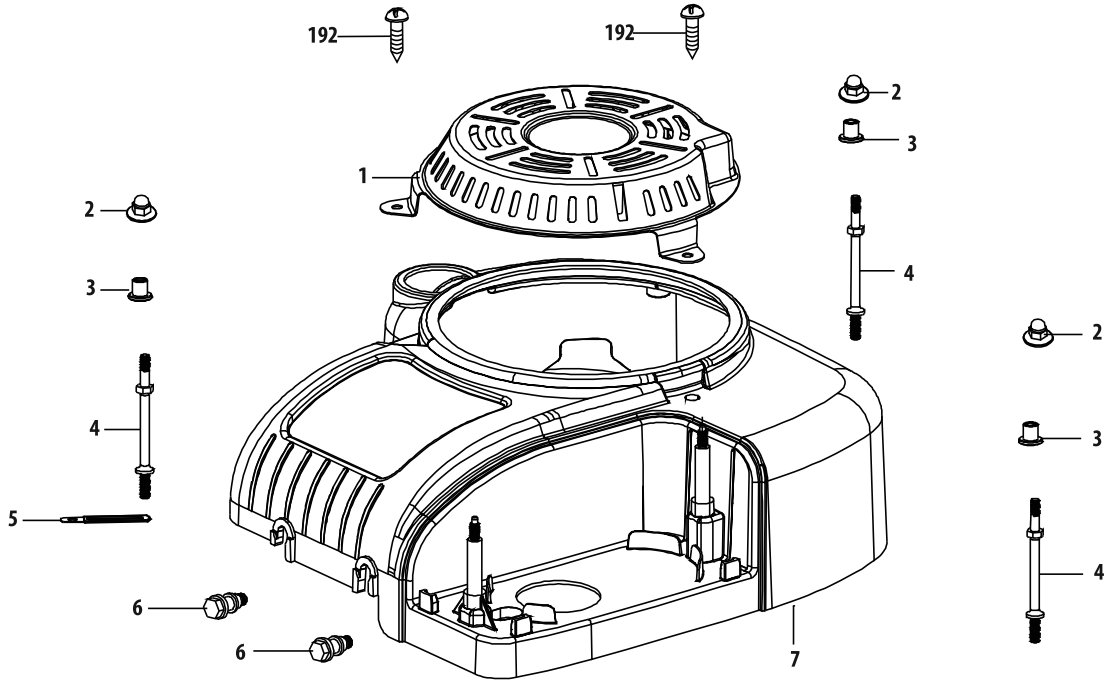


# Engine Model 4P90JUB Air Intake



Ref.	Part Number	Description
120	951-14458	Air Filter Cover Assembly
121	951-14466	Air Filter Lock Nut
122	951-12255	Air Filter Cover
124	951-12256	Sponge Filter
126	951-12260	Air Filter Assembly
127	712-04212	Nut M6
128	951-12328	Rubber Cap
129	951-12257	Manifold
130	951-12258	Manifold Gasket

# 4P90JUB Engine Shroud



Ref.	Part Number	Description
1	951-12205	Debris Shield
2	712-04290	Nut
3	750-05320	Engine Shroud Spacer
4	951-14454	Starter / Shroud Stud M6×99
5	951-11622	Flexible Clamp
6	710-05305	Hook Bolt
7	751-14455	Air Shield
192	710-05303	Self-Tapping Bolt 5.5×25





## 4P90JUB Crankcase

Ref.	Part Number	Description
47	951-11499	Upper Crankshaft Seal
48	710-04916	Bolt M6×14
49	951-14456	Breather Cover Plate
50	951-12226	Breather Gasket
51	951-12685	Umbrella Valve
52	951-12227	Mesh Screen
53	951-12686	Umbrella Valve Set
54	951-12228	Choke Linkage
55	951-12229	Governor Arm Shaft
56	736-04558	Governor Washer
57	714-04074	Governor Cotter Pin
58	951-11574	Governor Seal
59	951-12230	Throttle Linkage
60	951-12231	Throttle Linkage Spring
62	951-12232	Governor Arm
63	710-04908	Governor Arm Bolt
64	712-04212	Governor Arm Nut M6
65	951-12233	Governor Spring
66	710-04979	Bolt M6×18
67	710-05310	Bolt M6×38
68	951-14457	Component Bracket/Separate

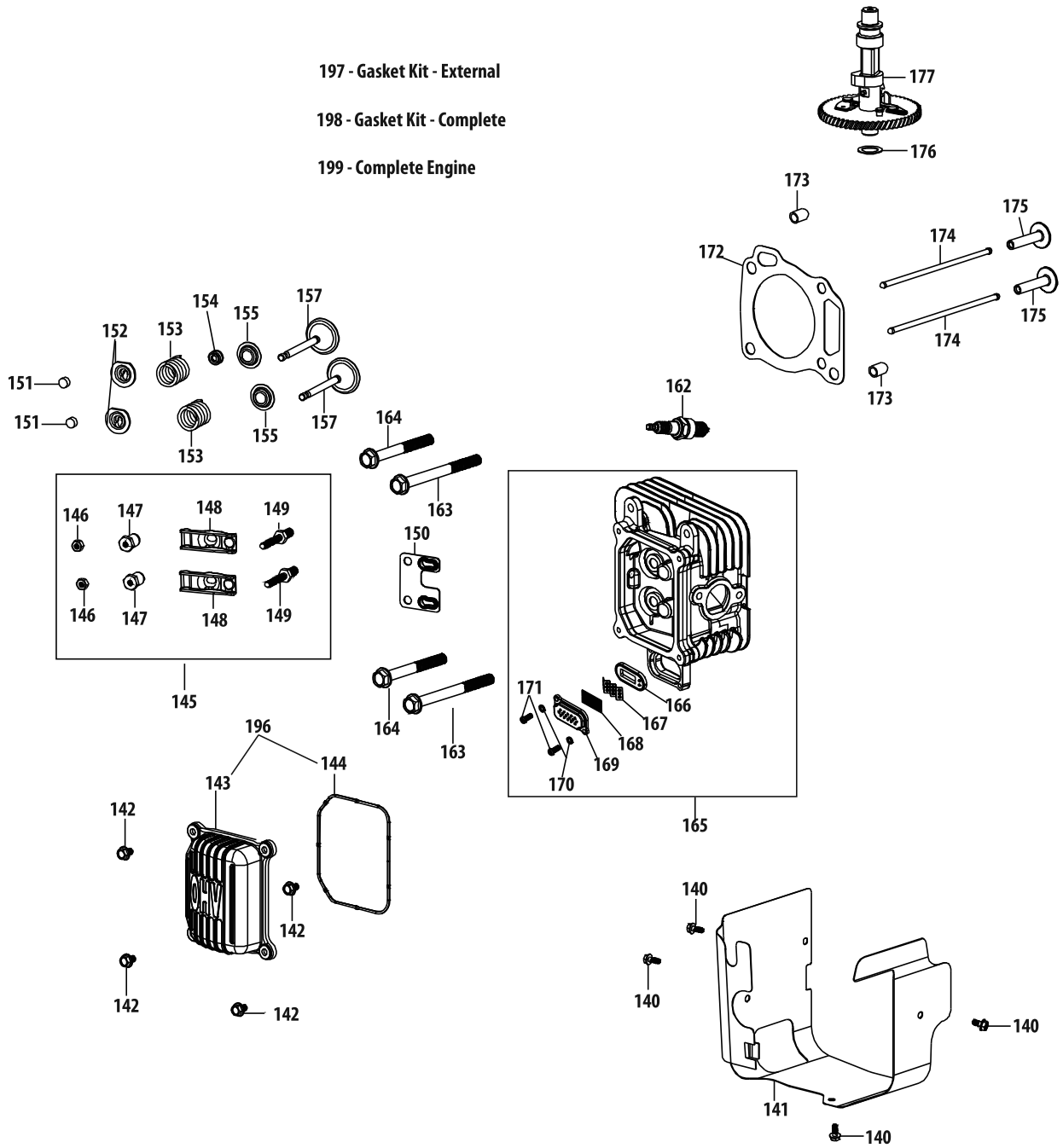
Ref.	Part Number	Description
69	750-05530	Component Bracket Spacer
70	951-12235	Breather Hose Assembly
72	951-12236	Breather Hose Clamp
73	951-14462	Short Block Assembly (Incl.37,47-53,55-58,73-77,84,86,87-89, 91-93,98-104,112,113,115-119,137-138, 144,160,172,173,175-178,183-186)
74	951-12237	Crankcase Cover Gasket
178	951-12275	Piston Ring Set
183	951-11953	Piston Pin Snap Ring
184	951-12276	Piston
185	951-11954	Piston Pin
186	951-12277	Connecting Rod Assembly
189	710-05319	Connecting Rod Bolt
197	951-12201	Gasket Kit - External (Incl.113,130,136,137,138,114,160)
198	951-12204	Gasket Kit - Complete (Incl.47,50,58,74,113,118,130, 136,137,138,144,160,172)
199	952Z4P90JUB	Complete Engine

# 4P90JUB Cylinder Head

197 - Gasket Kit - External

198 - Gasket Kit - Complete

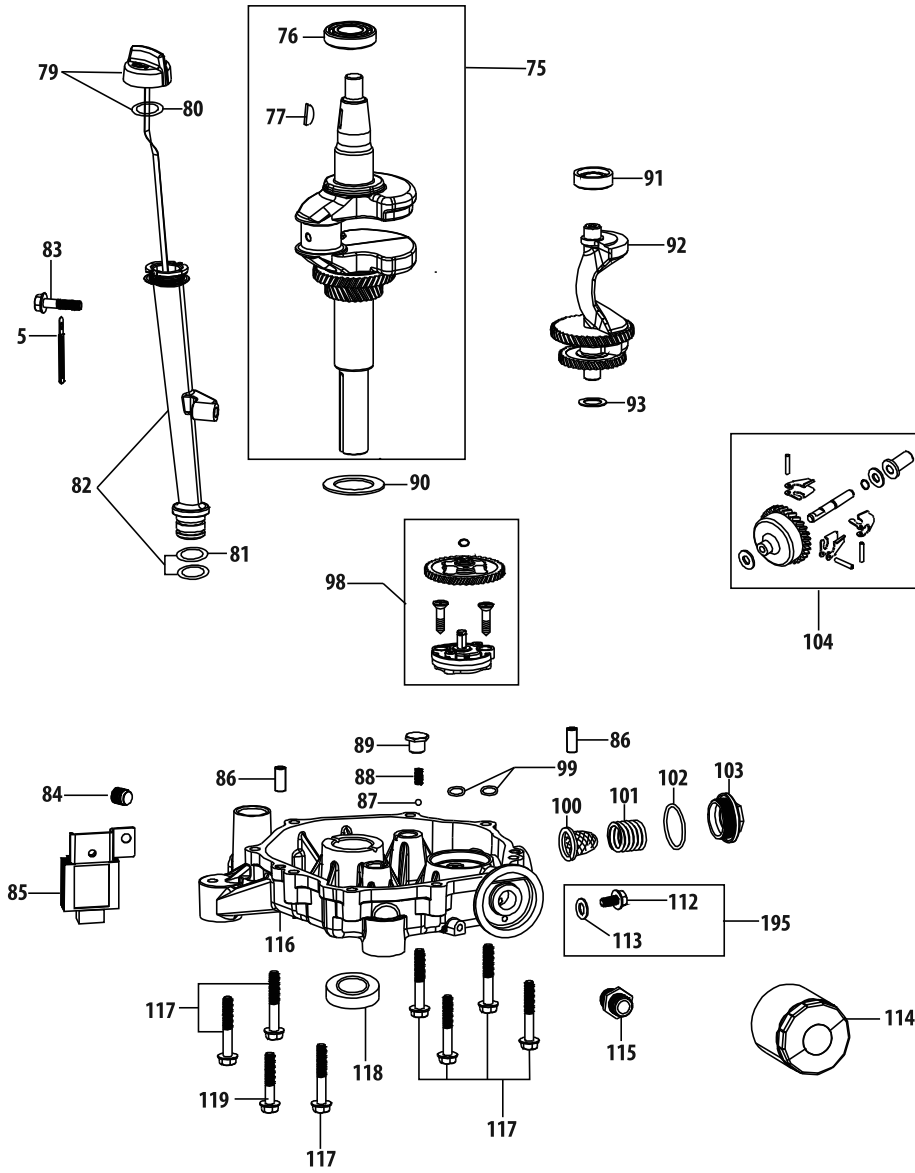
199 - Complete Engine



## 4P90JUB Cylinder Head

Ref.	Part Number	Description	Ref.	Part Number	Description
140	710-05315	Bolt M5×10		951-14463	Cylinder Head Asm (Incl.137-139,144,146-159, 161-163,165-170)
141	951-12265	Cowl			
142	710-05316	Valve Cover Bolt	166	951-14460	Air Valve Core
143	951-12266	Valve Cover	167	951-12775	Strainer Clip
144	951-12267	Valve Cover Ring	168	951-12776	Second Air Valve Filter Element
145	951-11981	Rocker Arm Assembly	169	951-12777	The Air Valve Bonnet
146	751-11124	Jam Nut	170	736-04629	Washer
147	751-11123	Fulcrum Nut	171	710-05337	Screw M5×12
148	951-11966	Rocker Arm	172	951-12273	Cylinder Head Gasket
149	710-04962	Rocker Arm Stud	173	715-04122	Cylinder Head Dowel 12×16
150	951-12268	Push Rod Guide	174	951-11335	Push Rod Kit
151	951-12269	Exhaust Valve Adjuster	175	951-11962	Tappet
152	951-12080	Exhaust Valve Spring Retainer	176	736-04561	Camshaft Thrust Washer
153	951-12078	Valve Spring	177	951-12274	Camshaft Assembly
154	951-11964	Intake Valve Seal	196	951-12197	Valve Cover Kit
155	951-12077	Valve Spring Retainer	197	951-12201	Gasket Kit - External (Incl.113,130,136,137,138,114,160)
156	951-11337	Valve Kit			
157	951-11337	Valve Kit	198	951-12204	Gasket Kit - Complete (Incl.47,50,58,74,113,118,130, 136,137,138,144,160,172)
162	951-10292	Spark Plug/F6Rtc	199	952Z4P90JUB	Complete Engine
163	710-05317	Bolt M10×1.25×85			
164	710-05318	Bolt /M10×1.25×65			
165	951-12202	Cylinder Head Kit (Incl.144,154,163,164,172)			

# 4P90JUB Crankshaft & Crankcase Cover

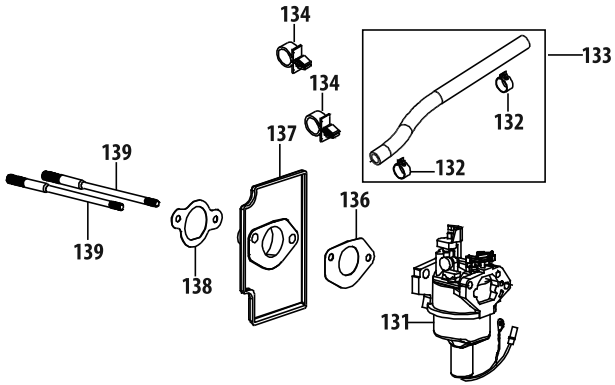


## 4P90JUB Crankshaft & Crankcase Cover

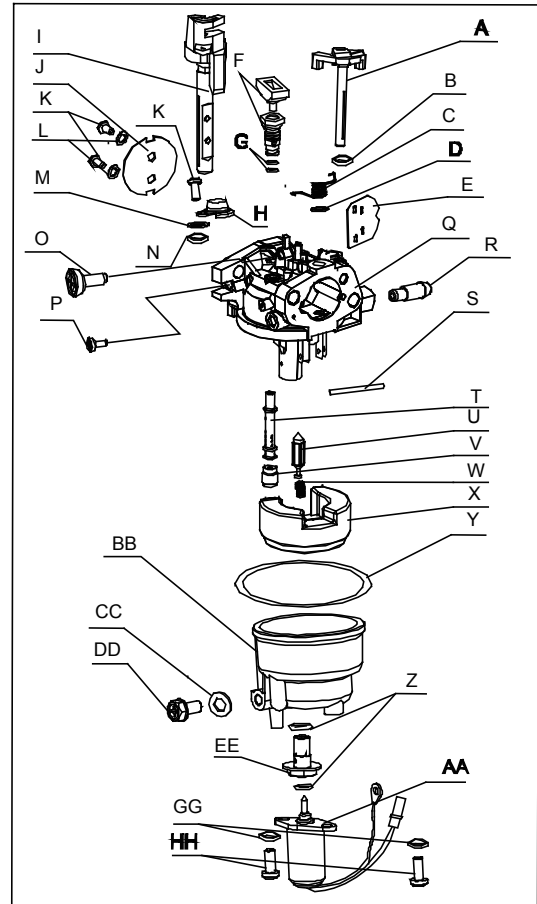
Ref.	Part Number	Description
5	951-11622	Flexible Clamp
75	951-12238	Crankshaft Assembly
76	951-11969	Main Bearing
77	951-10307	Woodruff Key
79	951-12239	Dipstick Assembly
80	951-12241	Upper O-Ring
81	951-12363	Lower O-Ring
82	951-12240	Oil Fill Tube Assembly
83	710-04980	Bolt M6×35
84	710-05311	Oil Drain Plug
85	951-12242	Regulator
86	715-04121	Dowel Pin 8×14
87	951-12243	Ball 6.35
88	951-12244	Spring
89	710-05312	Bolt
90	736-04557	Crankshaft Thrust Washer
91	951-12245	Balanceable Shaft Bearing
92	751-12246	Balanceable Shaft Assembly
93	736-04559	Balanceable Thrust Washer

Ref.	Part Number	Description
98	951-12248	Oil Pump Assembly
99	951-12247	O-Ring 10×2.65
100	951-12249	Filter
101	951-12250	Filter Spring
102	951-12251	O-Ring 35.5×2.65
103	951-12252	Filter Cover
104	951-11956	Governor Gear/Shaft Assembly
112	710-05313	Bolt M8×15
113	736-04560	Oil Drain Plug Washer
114	951-12690	Oil Filter
115	951-12253	Screw Joint
116	951-12254	Crankcase Cover
	951-12318	Crankcase Cover Asm (Incl.87,88,89,100,101,102, 103,104,112,113,115,116)
117	710-04982	Bolt M8×54
118	951-11375	Lower Crankshaft Seal
119	710-05314	Bolt M8×43
195	951-12194	Oil Drain Plug Assembly

# 4P90JUB Carburetor Assembly



200 - Carburetor Kit - Major

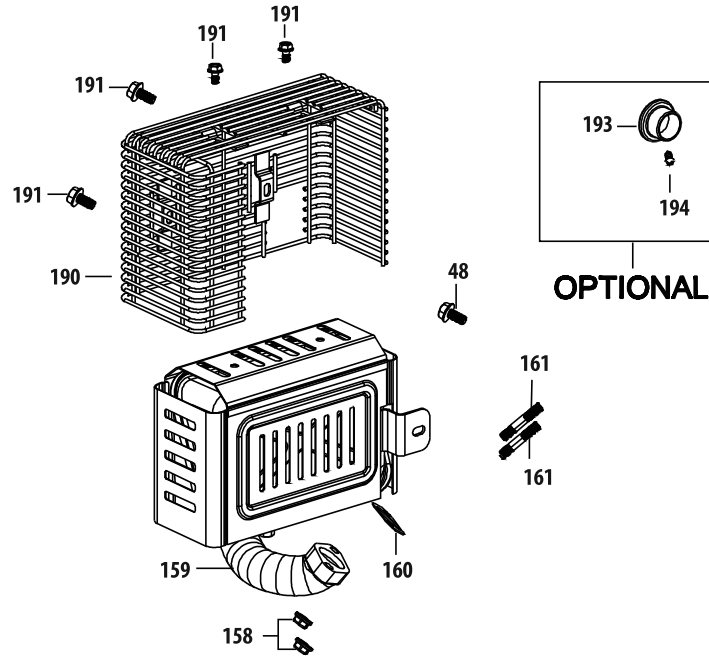


## 4P90JUB Carburetor Assembly

Ref.	Part Number	Description
131	951-12771A	Carburetor Assembly
132	951-11731	Fuel Hose Clamp
133	951-11336	Fuel Line Kit
134	723-04071	Plastic Support Clamp
136	951-12261	Carburetor Gasket
137	951-12262	Carburetor Insulator
138	951-12263	Carburetor Insulator Gasket
139	951-12264	Carb Stud
200	951-14179	Carburetor Kit - Major (Incl.130,136,138,F,G,S,T,U,V,W,X,Y,Z)
A	n/a	Choke Shaft
B	n/a	Choke Shaft Fiber O-Ring
C	n/a	Choke Return Spring
D	n/a	Flat Steel Washer
E	n/a	Choke Plate
F	n/a	Idle Jet Assembly
G	n/a	Idle Jet O-Ring
H	n/a	Sheetmetal Housing
I	n/a	Throttle Shaft
J	n/a	Throttle Plate
K	n/a	Screw M3x5
L	n/a	Lock Washer
M	n/a	Nylon/Plastic O-Ring

Ref.	Part Number	Description
N	n/a	Fiber O-Ring
O	n/a	Idle Speed Adjusting Screw
P	n/a	Idle Mixture Screw
Q	n/a	Carburetor Body
R	n/a	Fuel Inlet
S	n/a	Float Pin
T	n/a	Emulsion Tube
U	n/a	Needle Valve
V	n/a	Main Jet
W	n/a	Needle Valve Spring
X	n/a	Float
Y	n/a	Fuel Bowl O-Ring
Z	n/a	O-Ring
AA	951-14175	Fuel Shut-off Solenoid Valve Kit (Incl.130,136,138,AA,G,H,Z)
BB	951-14176	Fuel Bowl Kit (Incl.130,136,138,BB,CC,DD,EE,Y,Z)
CC	n/a	Fuel Drain Plug Gasket
DD	n/a	Fuel Drain Plug
EE	n/a	Seat/Fuel Bowl Bolt
GG	n/a	Washer
HH	n/a	Screw M5x12

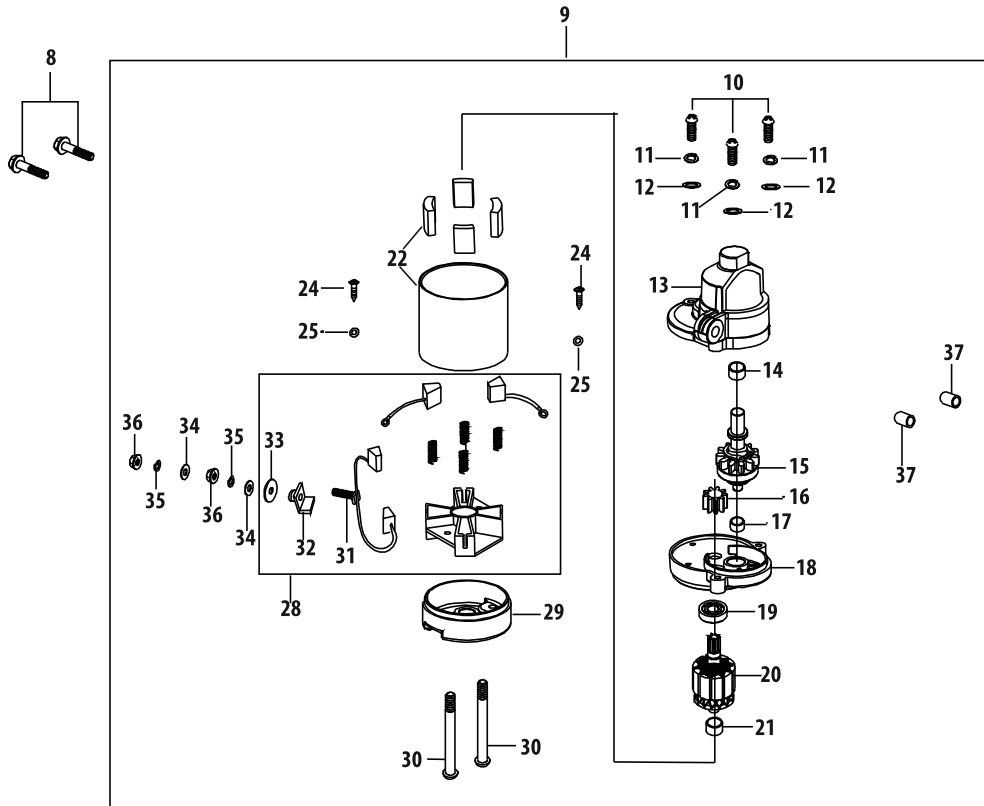
# 4P90JUB Muffler Assembly



Ref.	Part Number	Description
48	710-04916	Bolt M6×14
158	712-04219	Nut M8
159	951-14468	Muffler Assembly
160	951-12271	Exhaust Pipe Gasket
161	951-12272	Muff Stud M8×47
161	951-12196	Muffler Stud Assembly
190	951-12278	Wire Mesh Shield
191	710-05051	Bolt M6×12
193	951-12329	Spark Arrestor
194	710-05344	Spark Arrestor Screw



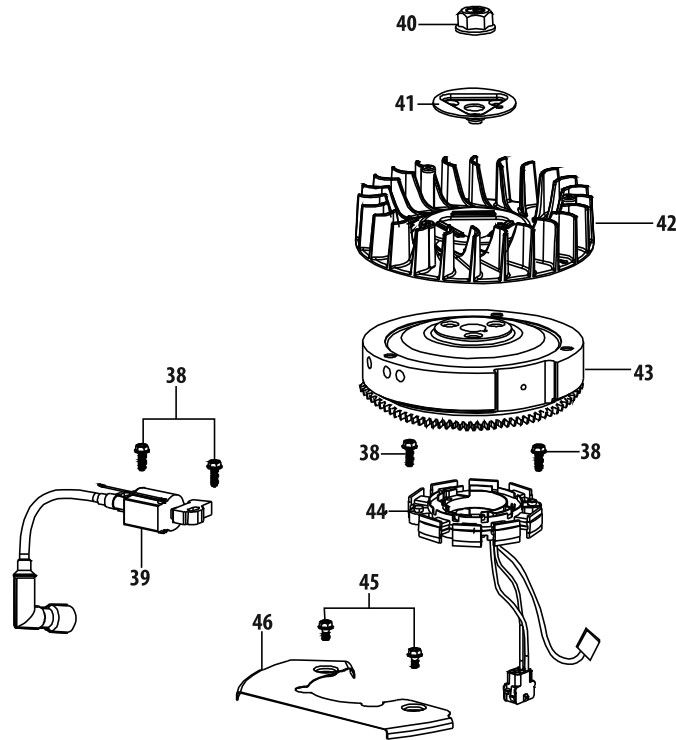
# 4P90JUB Starter Assembly



Ref.	Part Number	Description
8	710-05306	Bolt M8x40
9	951-12207	Starter Assembly
10	710-05307	Screw M5x25
11	736-04554	Lock Washer 5
12	736-04556	Plain Washer 6
13	951-12208	Electrical Starter Front Cover
14	951-12211	Bearing
15	951-12210	Pinion/Clutch Assembly
16	951-12312	Gear
17	951-12209	Bearing
18	951-12212	Pinion Cover
19	951-12214	Bearing 6001Zz
21	951-12216	Bearing

Ref.	Part Number	Description
23	951-12528	Starter Housing Assembly
24	951-12217	Screw
25	736-04554	Lock Washer
28	951-12529	Brush Assembly
29	951-12219	Electrical Starter Back Cover
30	710-05308	Bolt M6x100
31	951-12324	Bolt M6x30 Assembly
33	736-04555	Insulation Washer
34	736-04556	Plain Washer 6
35	736-04477	Lock Washer 6
36	712-04212	Nut M6
37	715-04120	Dowel Pin 10x14

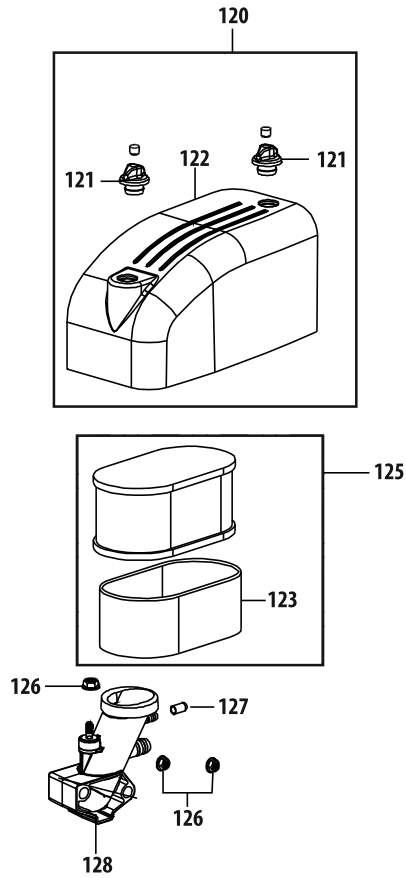
# 4P90JUB Ignition & Electrical



Ref.	Part Number	Description
38	710-04931	Bolt M6×28
39	951-12220	Ignition Coil Assembly
40	712-04220	Flywheel Nut M16×1.5
41	951-12221	Plate
42	951-12222A	Cooling Fan
43	951-12223	Flywheel
44	951-12224	Coil Assy. Charge
45	710-04940	Bolt M6×10
46	951-12279	Cowl

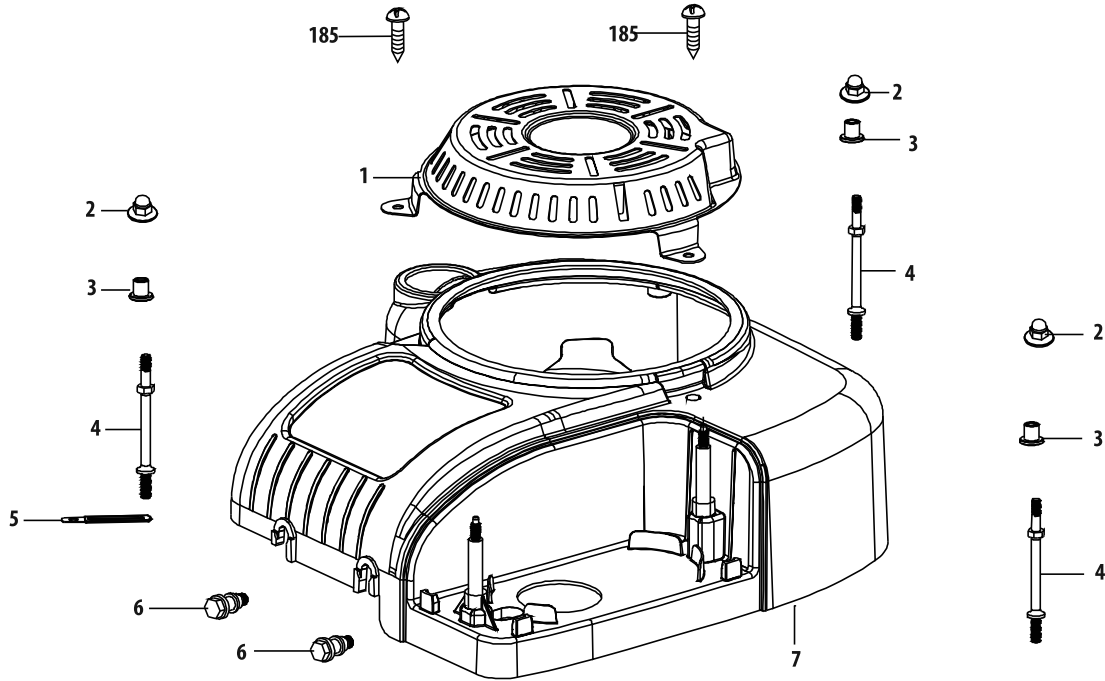


# Engine Model 4P90JUC Air Intake



Ref.	Part Number	Description
120	951-14458	Air Filter Cover Assembly
121	951-14466	Air Filter Lock Nut
122	951-12255	Air Filter Cover
123	951-12256	Sponge Filter
125	951-12260	Air Filter Assembly
126	712-05015	Nut M6
127	951-12328	Rubber Cap
128	951-12257A	Manifold/Add Air Hole

# 4P90JUC Engine Shroud



Ref.	Part Number	Description
1	951-12205	Debris Shield
2	712-04290	Nut
3	750-05320	Engine Shroud Spacer
4	951-14454	Starter / Shroud Stud M6×99
5	951-11622	Flexible Clamp
6	710-05305	Hook Bolt
7	751-14455	Air Shield
185	710-05303	Self-Tapping Bolt 5.5×25



## 4P90JUC Crankcase

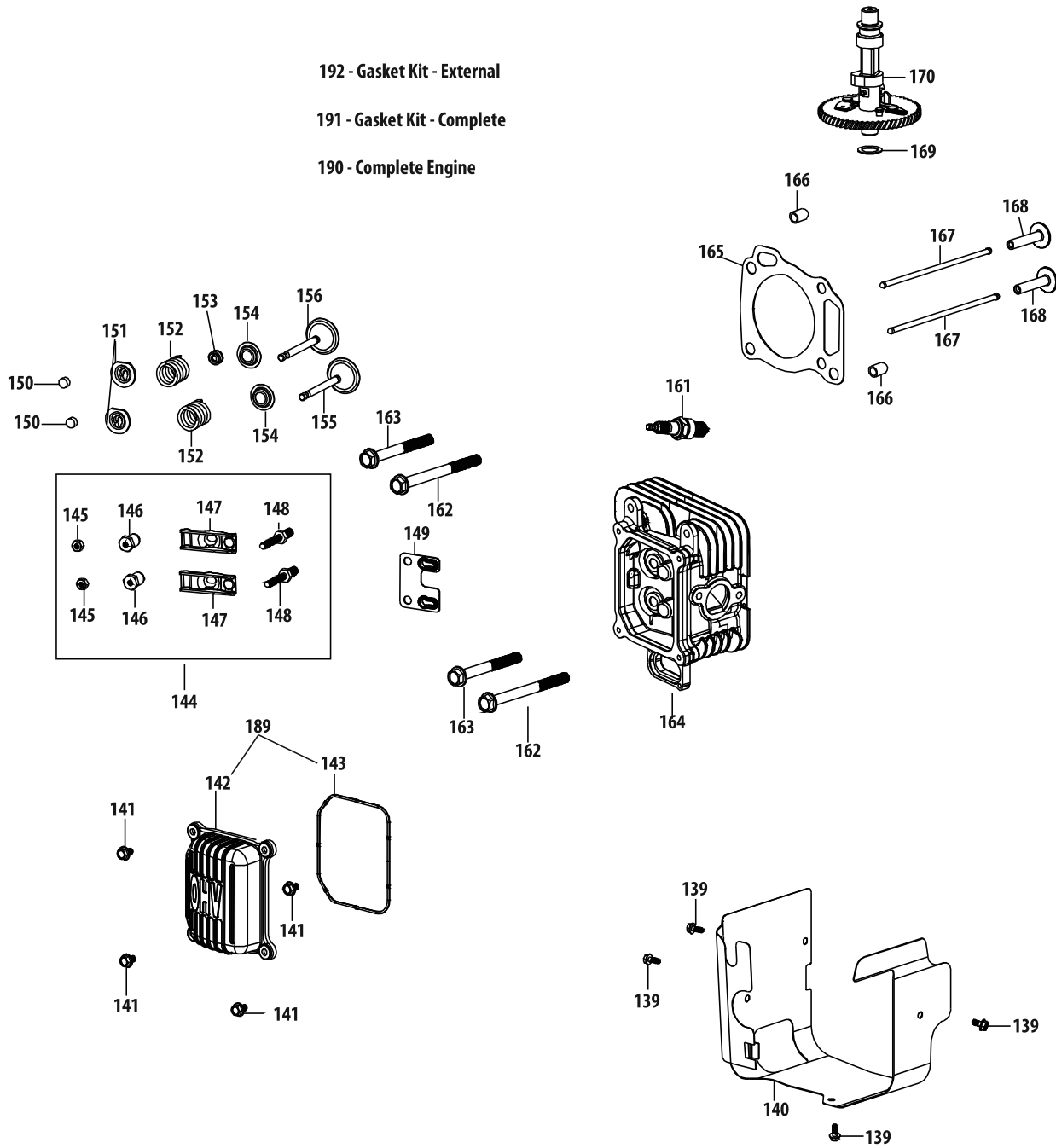
Ref.	Part Number	Description	Ref.	Part Number	Description
47	951-11499	Upper Crankshaft Seal	69	750-05530	Component Bracket Spacer
48	710-04916	Bolt M6×14	70	951-12235	Breather Hose Assembly
49	951-12770A	Breather Cover Plate	72	951-12236	Breather Hose Clamp
50	951-12226	Breather Gasket	73	919-05022A	Crankcase
51	951-12685	Umbrella Valve		951-14707	Short Block Assembly
52	951-12227	Mesh Screen			(Incl.37,47-53,55-58,73-75,84,86-93, 98-104,112,113,115-119,136,137, 143,158,164,165,167-170,175-178)
53	951-12686	Umbrella Valve Set	74	951-12237	Crankcase Cover Gasket
54	951-12228	Choke Linkage	171	951-05156	Piston Ring Set
55	947-06356	Governor Arm Shaft/Improved	176	951-11953	Piston Pin Snap Ring
56	736-04558	Governor Washer	177	951-14677	Piston
57	714-04074	Governor Cotter Pin	178	951-11954	Piston Pin
58	951-11574	Governor Seal	179	951-12277	Connecting Rod Assembly
59	951-12230	Throttle Linkage	182	710-05319	Connecting Rod Bolt
60	951-12231	Throttle Linkage Spring	190	752Z4P90JUC	Complete Engine
62	951-12232	Governor Arm	191	951-12204A	Gasket Kit - Complete
63	710-04908	Governor Arm Bolt			(Incl.47,50,58,74,113,118,129, 135-137,143,158,164)
64	712-05015	Governor Arm Nut M6	192	951-12201A	Gasket Kit - External
65	932-05187	Governor Spring			(Incl.113,129,135-137,143,158)
66	710-04979	Bolt M6×18			
67	710-05310	Bolt M6×38			
68	951-14467	Component Bracket/Separate			

# 4P90JUC Cylinder Head

192 - Gasket Kit - External

191 - Gasket Kit - Complete

190 - Complete Engine

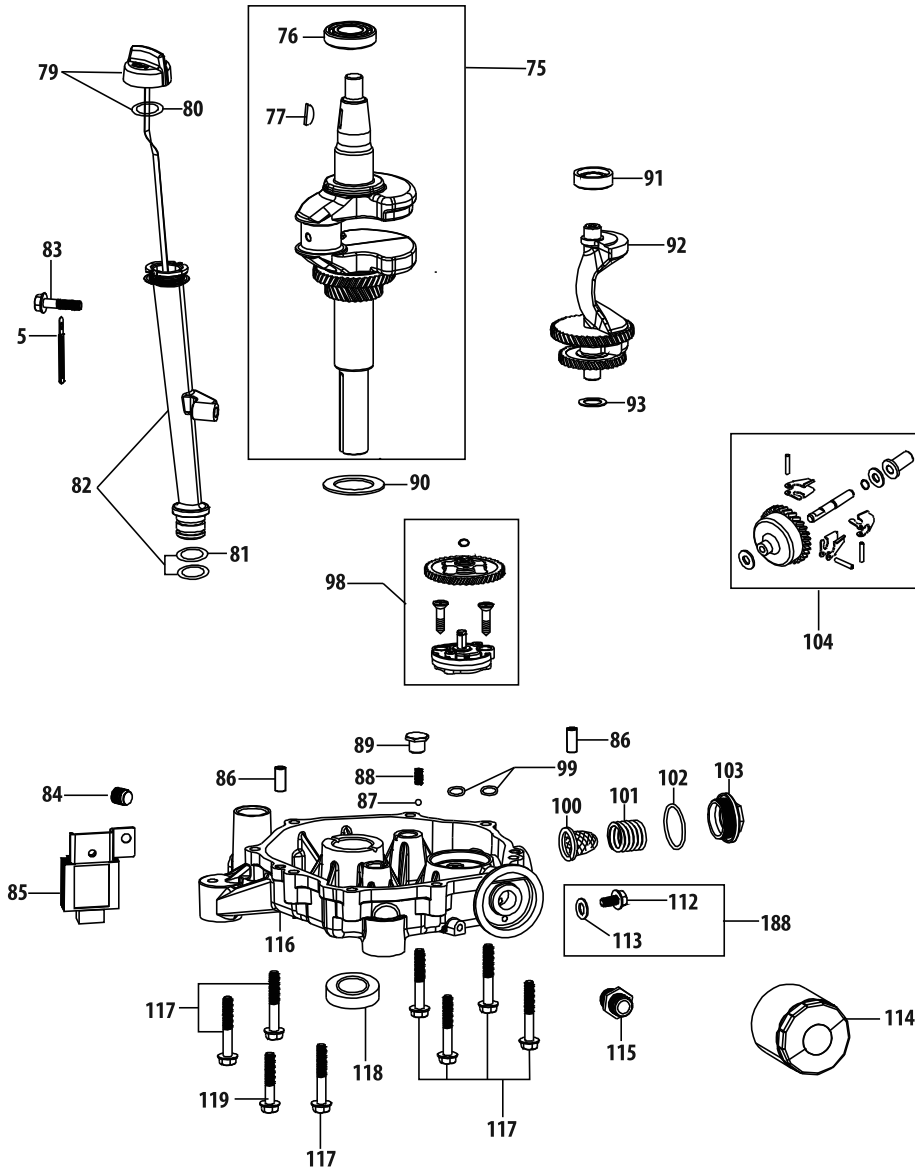




## 4P90JUC Cylinder Head

Ref.	Part Number	Description	Ref.	Part Number	Description
139	710-05315	Bolt M5×10	163	710-05318	Bolt /M10×1.25×65
140	951-12265	Cowl	164	951-14706	Cylinder Head Assembly (Incl.136-138,143,145-156, 158,159,161-164)
141	710-05316	Valve Cover Bolt		951-12202	Cylinder Head Kit (Incl.143,153,161,162,164)
142	951-12266	Valve Cover	165	951-12273	Cylinder Head Gasket
143	951-12267	Valve Cover Gasket	166	715-04122	Cylinder Head Dowel 12×16
144	951-11981	Rocker Arm Assembly	167	951-11335	Push Rod Kit
145	751-11124	Jam Nut	168	951-11962	Tappet
146	751-11123	Fulcrum Nut	169	736-04561	Camshaft Thrust Washer
147	951-11966	Rocker Arm	170	951-14678	Camshaft Assembly
148	710-04962	Rocker Arm Stud	189	951-12197	Valve Cover Kit
149	951-12268	Push Rod Guide	190	752Z4P90JUC	Complete Engine
150	951-12269	Exhaust Valve Adjuster	191	951-12204A	Gasket Kit - Complete (Incl.47,50,58,74,113,118,129, 135-137,143,158,164)
151	951-12080	Exhaust Valve Spring Retainer	192	951-12201A	Gasket Kit - External (Incl.113,129,135-137,143,158)
152	951-12078	Valve Spring			
153	951-11964	Intake Valve Seal			
154	951-12077	Valve Spring Retainer			
155	951-11337	Valve Kit			
156	951-11337	Valve Kit			
161	951-10292	Spark Plug/F6Rtc			
162	710-05317	Bolt M10×1.25×85			

# 4P90JUC Crankshaft & Crankcase Cover

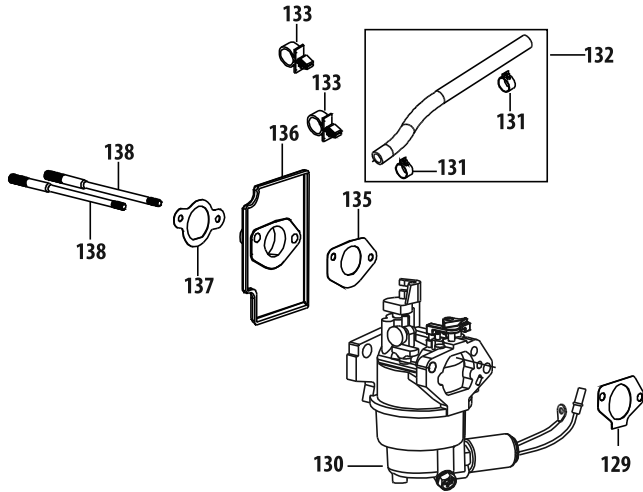


## 4P90JUC Crankshaft & Crankcase Cover

Ref.	Part Number	Description
5	951-11622	Flexible Clamp
75	951-12238	Crankshaft Assembly
76	951-11969	Main Bearing
77	951-10307	Woodruff Key
79	951-12239	Dipstick Assembly
80	951-12241	Upper O-Ring
81	951-12363	Lower O-Ring
82	951-12240	Oil Fill Tube Assembly
83	710-04980	Bolt M6×35
84	710-05311	Oil Drain Plug
85	951-12242	Regulator
86	715-04121	Dowel Pin 8×14
87	951-12243	Ball 6.35
88	951-12244	Spring
89	710-05312	Bolt
90	736-04557	Crankshaft Thrust Washer
91	951-12245	Balanceable Shaft Bearing
92	751-12246	Balanceable Shaft Assembly
93	736-04559	Balanceable Thrust Washer

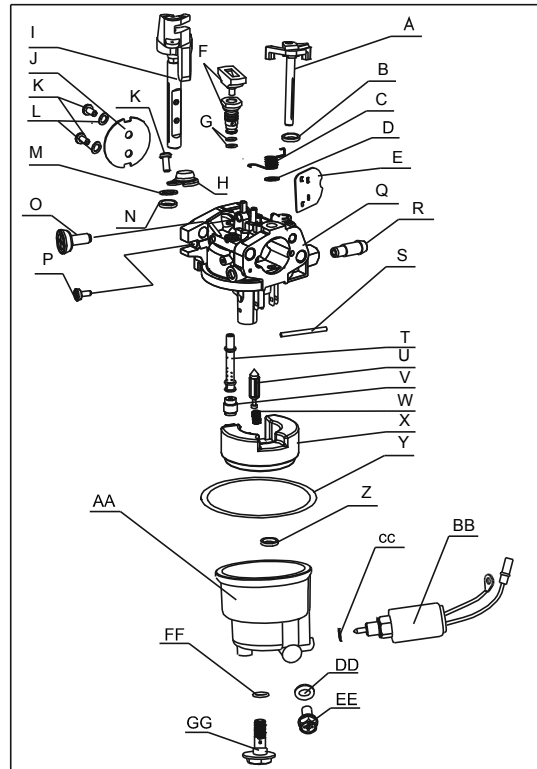
Ref.	Part Number	Description
98	951-12248	Oil Pump Assembly
99	951-12247	O-Ring 10×2.65
100	951-12249	Filter
101	951-12250	Filter Spring
102	951-12251	O-Ring 35.5×2.65
103	951-12252	Filter Cover
104	951-11956	Governor Gear/Shaft Assembly
112	710-05313	Bolt M8×15
113	736-04560	Oil Drain Plug Washer
114	951-12690	Oil Filter
115	951-12253	Screw Joint
116	919-05090	Crankcase Cover
	951-14704	Crankcase Cover Assembly (Incl.87-89,100-104,112,113,116)
117	710-04982	Bolt M8×54
118	951-11375	Lower Crankshaft Seal
119	710-05314	Bolt M8×43
188	951-12194	Oil Drain Plug Assembly

# 4P90JUC Carburetor Assembly



193 - Carburetor Kit - Major

194 - Fuel Bowl Kit

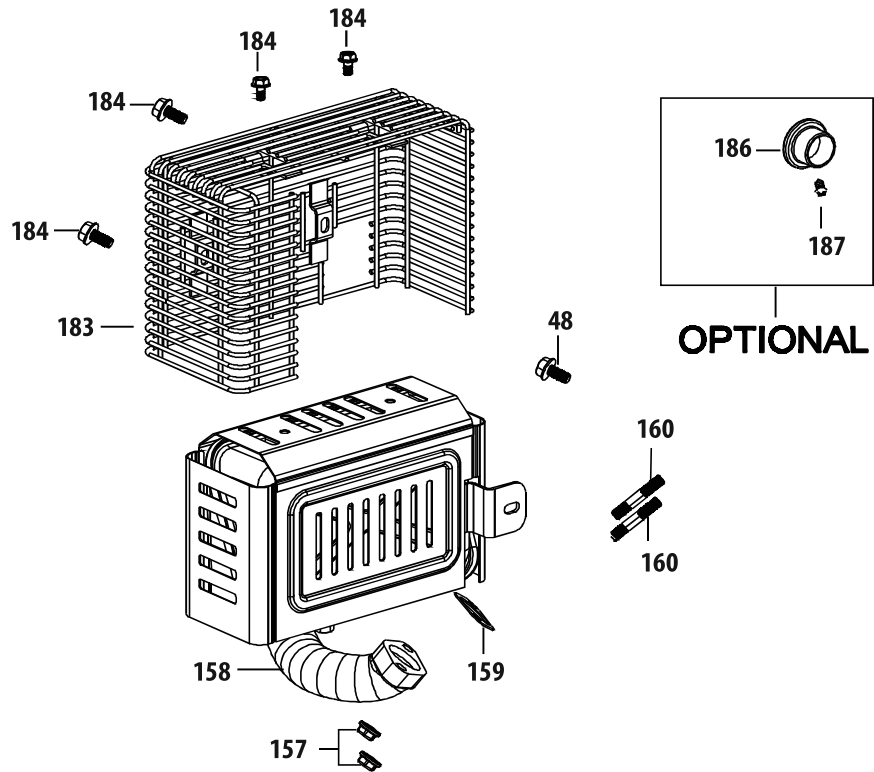


## 4P90JUC Carburetor Assembly

Ref.	Part Number	Description
129	951-12258A	Manifold Gasket/Add Air Hole
130	951-05149	Carburetor Assembly (Hy-4P90F)
131	951-11731	Fuel Hose Clamp
132	951-11336	Fuel Line Kit
133	723-04071	Plastic Support Clamp
135	951-12261	Carburetor Gasket
136	951-12262	Carburetor Insulator
137	951-12263	Carburetor Insulator Gasket
138	951-12264	Carb Stud
193	951-14708	Carburetor Kit - Major (Incl.129,135,137,CC,F,G,S,T,U,V,W,X,Y,Z)
194	951-14705	Fuel Bowl Kit (Incl.129,135,137,Y,Z,AA,CC,DD,GG)
A	n/a	Choke Shaft
B	n/a	Choke Shaft Fiber O-Ring
C	n/a	Choke Return Spring
D	n/a	Flat Steel Washer
E	n/a	Choke Plate
F	n/a	Idle Jet Assembly
G	n/a	Idle Jet O-Ring
H	n/a	Sheetmetal Housing
I	n/a	Throttle Shaft
J	n/a	Throttle Plate

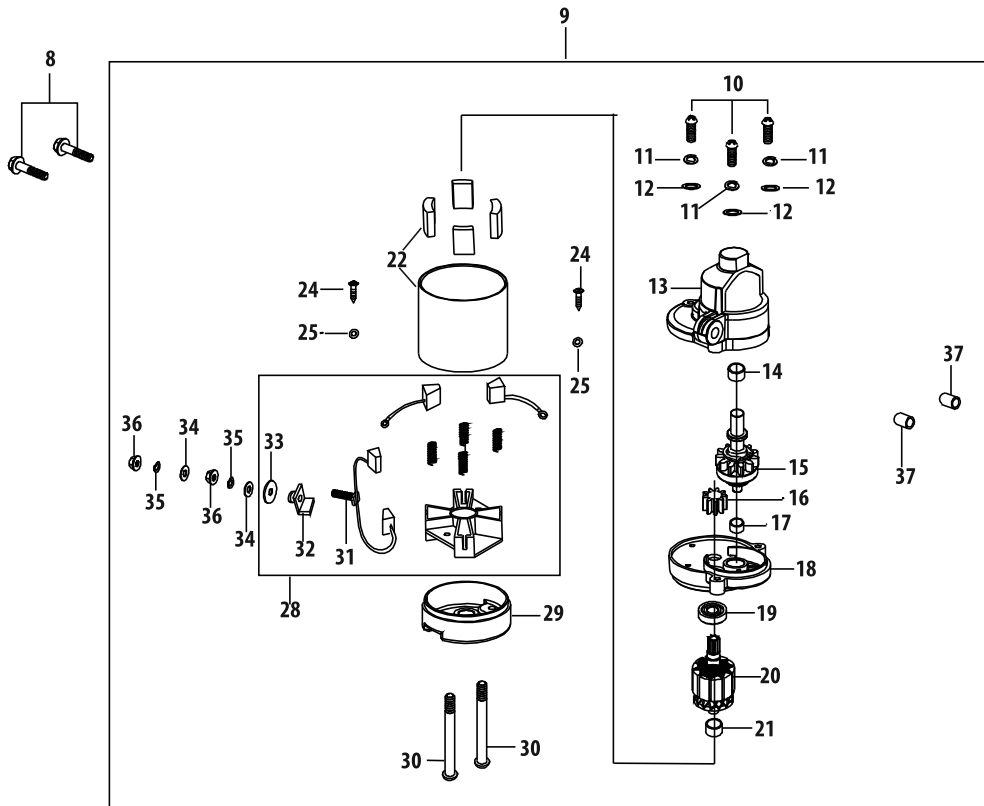
Ref.	Part Number	Description
K	n/a	Screw M3x5
L	n/a	Lock Washer
M	n/a	Nylon/Plastic O-Ring
N	n/a	Fiber O-Ring
O	n/a	Idle Speed Adjusting Screw
P	n/a	Idle Mixture Screw
Q	n/a	Carburetor Body
R	n/a	Fuel Inlet
S	n/a	Float Pin
T	n/a	Emulsion Tube
U	n/a	Needle Valve
V	n/a	Main Jet
W	n/a	Needle Valve Spring
X	n/a	Float
Y	n/a	Fuel Bowl O-Ring
Z	n/a	Square-Ring
AA	n/a	Fuel Bowl
BB	n/a	Solenoid Valve Assembly
CC	n/a	Solenoid Valve Washer
DD	n/a	Fuel Drain Plug Gasket
EE	n/a	Fuel Drain Plug
FF	n/a	O-Ring
GG	n/a	Fuel Bowl Bolt

# 4P90JUC Muffler Assembly



Ref.	Part Number	Description
48	710-04916	Bolt M6×14
157	712-04219	Nut M8
158	951-14468	Muffler Assembly
159	951-12271	Exhaust Pipe Gasket
160	951-14459	Muff Stud M8×47
160	951-14464	Muffler Stud Assembly
183	951-12278	Wire Mesh Shield
184	710-05051	Bolt M6×12
186	951-12329	Spark Arrestor
187	710-05344	Spark Arrestor Screw

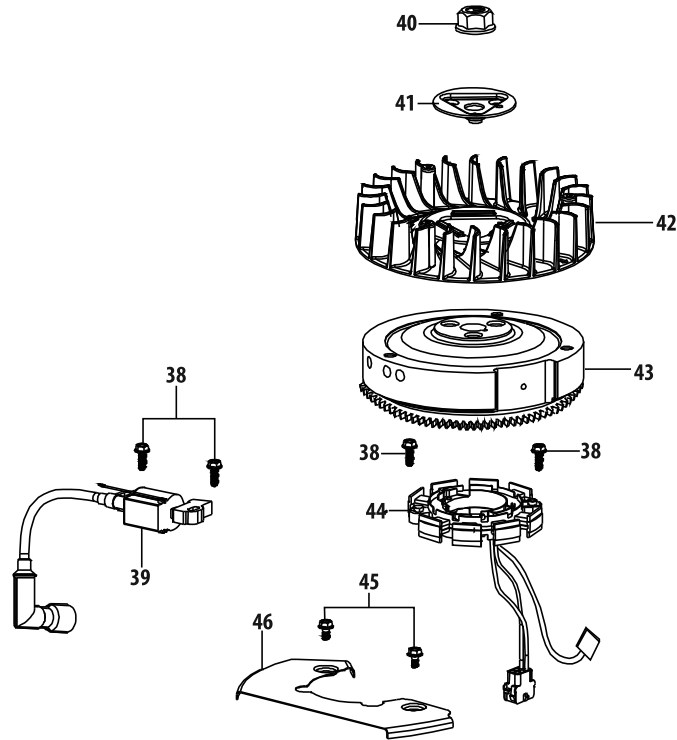
# 4P90JUC Starter Assembly



Ref.	Part Number	Description
8	710-05306	Bolt M8×40
9	951-12207	Starter Assembly
10	710-05307	Screw M5×25
11	736-04554	Lock Washer 5
12	736-04556	Plain Washer 6
13	951-12208	Electrical Starter Front Cover
14	951-12211	Bearing
15	951-12210	Pinion/Clutch Assembly
16	951-12312	Gear
17	951-12209	Bearing
18	951-12212	Pinion Cover
19	951-12214	Bearing 6001Zz
20	951-12215	Starter Armature
21	951-12216	Bearing

Ref.	Part Number	Description
22	951-12528	Starter Housing Assembly
24	951-12217	Screw
25	736-04554	Lock Washer
28	951-12529	Brush Assembly
29	951-12219	Electrical Starter Back Cover
30	710-05308	Bolt M6×100
31	710-05309	Bolt M6×30 Assembly
32	951-12324	Waterproof Washer
33	736-04555	Insulation Washer
34	736-04556	Plain Washer 6
35	736-04477	Lock Washer 6
36	712-05015	Nut M6
37	715-04120	Dowel Pin 10×14

# 4P90JUC Ignition & Electrical

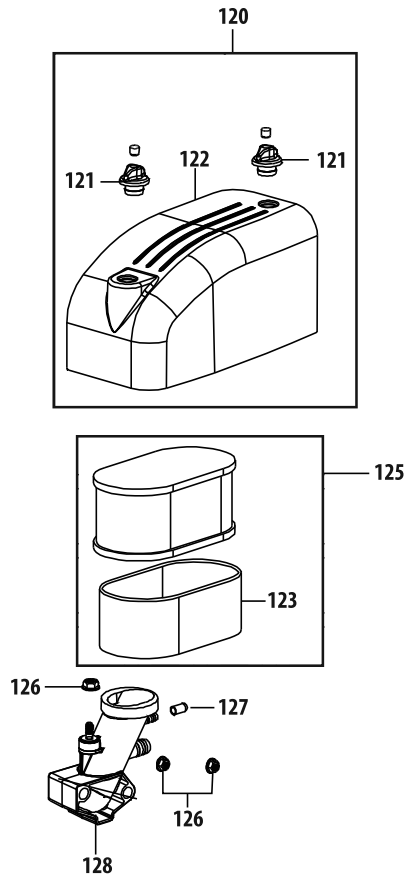


Ref.	Part Number	Description
38	710-04931	Bolt M6×28
39	951-12220	Ignition Coil Assembly
40	712-04220	Flywheel Nut M16×1.5
41	951-12221	Plate
42	951-12222A	Cooling Fan
43	919-05089	Flywheel
44	951-12224	Coil Assy. Charge
45	710-04940	Bolt M6×10
46	951-12279	Cowl



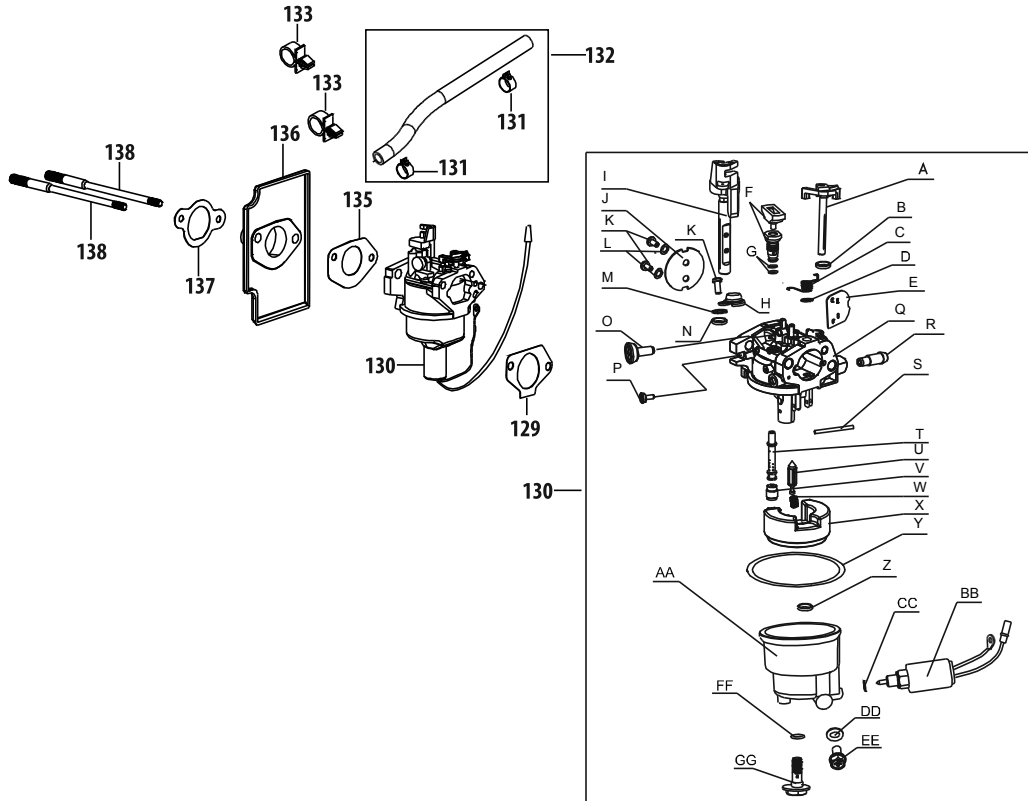


# Engine Model 4P90HUA Air Intake



Ref.	Part Number	Description
120	951-14458	Air Filter Cover Assembly
121	951-14466	Air Filter Lock Nut
122	951-12255	Air Filter Cover
123	951-12256	Sponge Filter
125	951-12260	Air Filter Assembly
126	712-04212	Nut M6
127	951-12328	Rubber Cap
128	951-12257A	Manifold

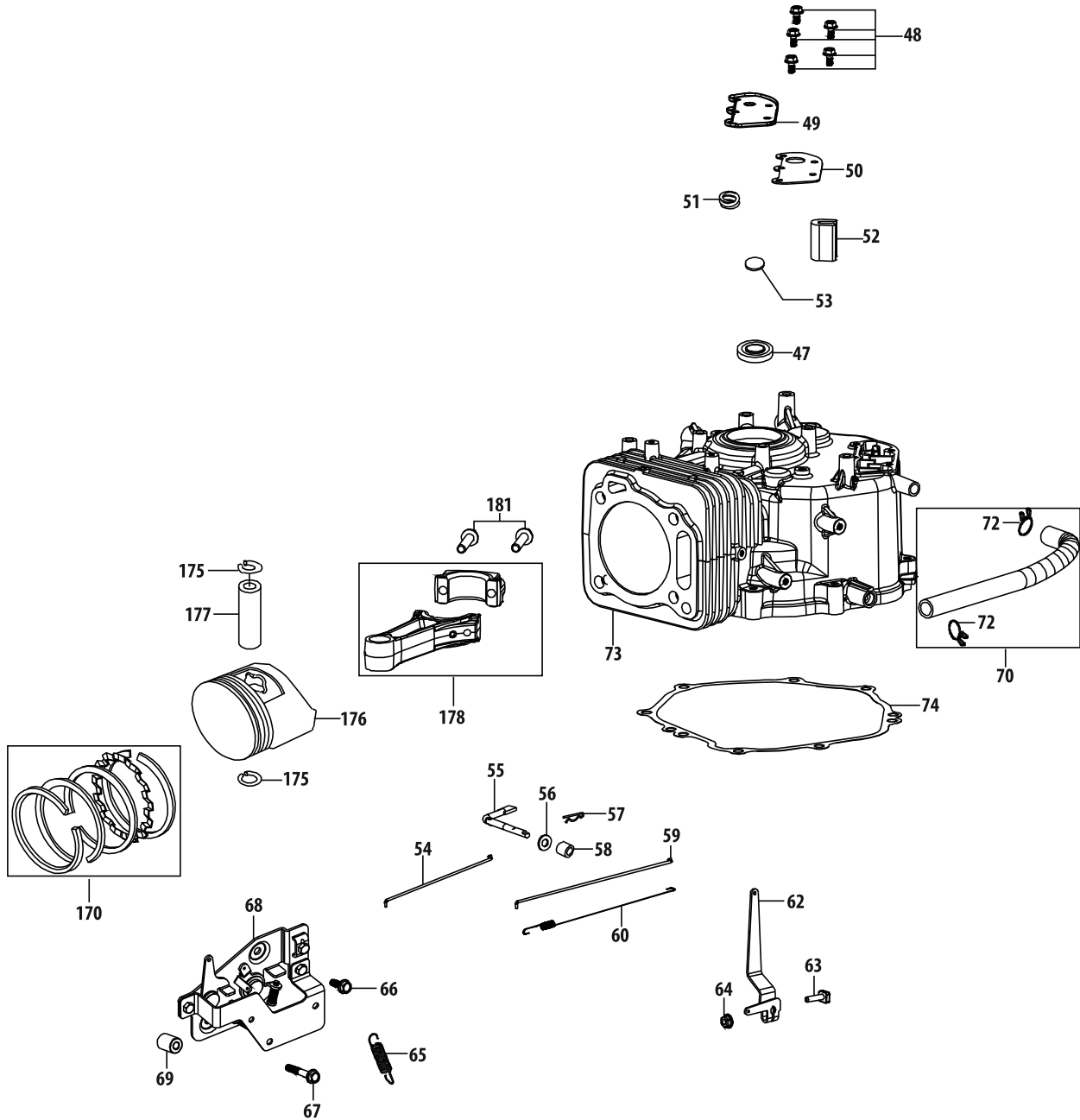
# 4P90HUA Carburetor Assembly



Ref.	Part Number	Description
129	951-12258A	Manifold Gasket
130	951-05149	Carburetor Assembly
131	951-11731	Fuel Hose Clamp
132	951-11336	Fuel Line Kit
133	723-04071	Plastic Support Clamp
135	951-12261	Carburetor Gasket
136	951-12262	Carburetor Insulator
137	951-12263	Carburetor Insulator Gasket
138	951-12264	Carb Stud
	951-14708	Carburetor Kit - Major
A	n/a	Choke Shaft
B	n/a	Choke Shaft Fiber O-Ring
C	n/a	Choke Return Spring
D	n/a	Flat Steel Washer
E	n/a	Choke Plate
F	n/a	Idle Jet Assembly
G	n/a	Idle Jet O-Ring
H	n/a	Sheetmetal Housing
I	n/a	Throttle Shaft
J	n/a	Throttle Plate
K	n/a	Screw M3×5
L	n/a	Lock Washer

Ref.	Part Number	Description
M	n/a	Nylon/Plastic O-Ring
N	n/a	Fiber O-Ring
O	n/a	Idle Speed Adjusting Screw
P	n/a	Idle Mixture Screw
Q	n/a	Carburetor Body
R	n/a	Fuel Inlet
S	n/a	Float Pin
T	n/a	Emulsion Tube
U	n/a	Needle Valve
V	n/a	Main Jet
W	n/a	Needle Valve Spring
X	n/a	Float
Y	n/a	Fuel Bowl O-Ring
Z	n/a	Ring
AA	n/a	Fuel Bowl
BB	n/a	Solenoid Valve Assembly
CC	n/a	Solenoid Valve Washer
DD	n/a	Fuel Drain Plug Gasket
EE	n/a	Fuel Drain Plug
FF	n/a	Ring
GG	n/a	Seat/Fuel Bowl Bolt

# 4P90HUA Crankcase

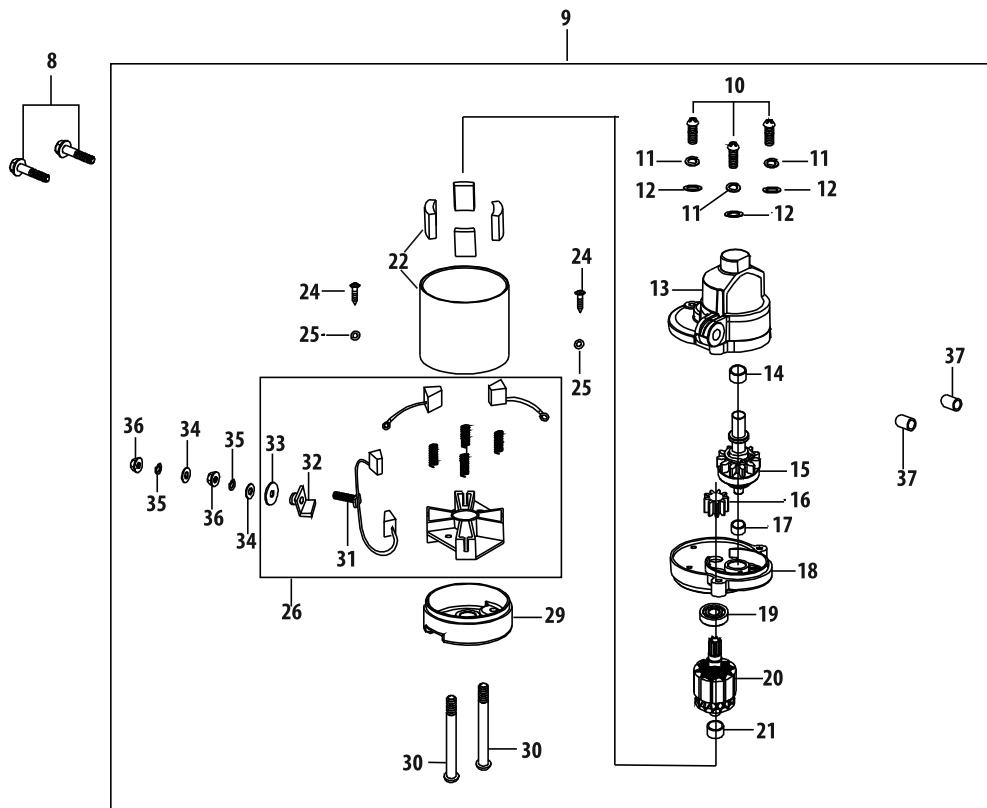


## 5P65M0B Crankcase

Ref.	Part Number	Description
47	951-11499	Upper Crankshaft Seal
48	710-04916	Bolt M6×14
49	951-14456	Breather Cover Plate
50	951-12226	Breather Gasket
51	951-12685	Umbrella Valve
52	951-12227	Mesh Screen
53	951-12686	Umbrella Valve Seat
54	951-12228	Choke Linkage
55	947-06356	Governor Arm Shaft
56	736-04558	Governor Washer
57	714-04074	Governor Cotter Pin
58	951-11574	Governor Seal
59	951-12230	Throttle Linkage
60	951-12231	Throttle Linkage Spring
62	951-12232	Governor Arm
63	710-04908	Governor Arm Bolt

Ref.	Part Number	Description
64	712-04212	Governor Arm Nut M6
65	932-05187	Governor Spring
66	710-04979	Bolt M6×18
67	710-05310	Bolt M6×38
68	951-14457	Component Bracket/Separate
69	750-05530	Component Bracket Spacer
70	951-12235	Breather Hose Assembly
72	951-12236	Breather Hose Clamp
73	919-05022A	Crankcase
74	951-12237	Crankcase Cover Gasket
170	951-05156	Piston Ring Set
175	951-11953	Piston Pin Snap Ring
176	951-14677	Piston
177	951-11954	Piston Pin
178	951-12277	Connecting Rod Assembly
181	710-05319	Connecting Rod Bolt

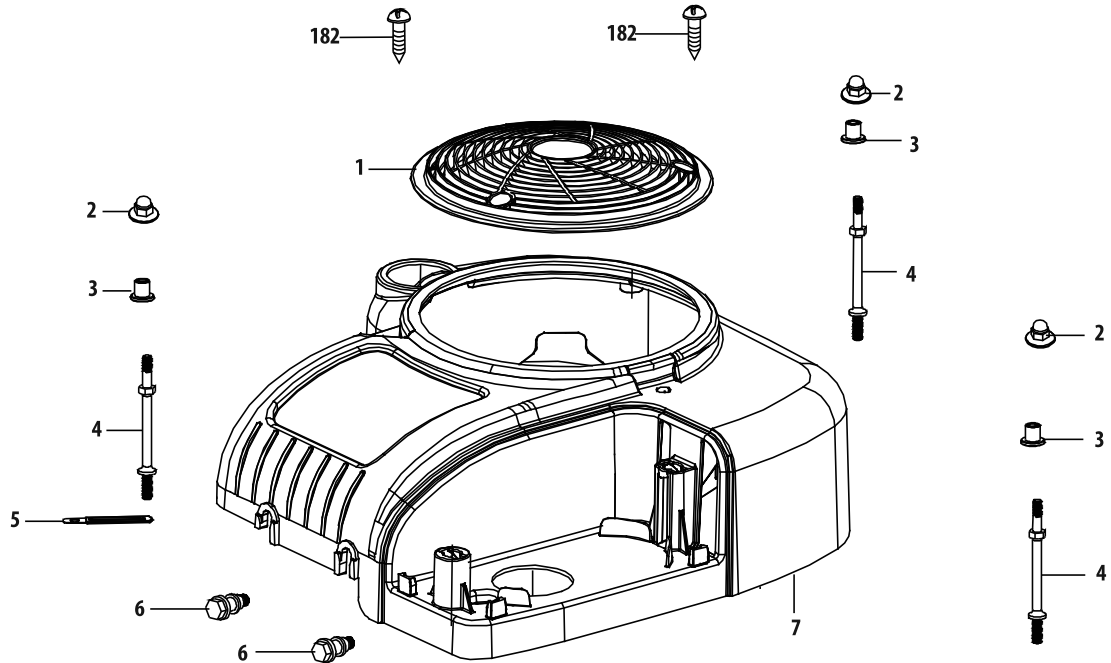
# 4P90HUA Starter Assembly



Ref.	Part Number	Description
8	710-05306	Bolt M8×40
9	951-12207	Starter Assembly
10	710-05307	Screw M5×25
11	736-04554	Lock Washer 5
12	736-04556	Plain Washer 6
13	951-12208	Electrical Starter Front Cover
14	951-12211	Bearing
15	951-12210	Pinion/Clutch Assembly
16	951-12312	Gear
17	951-12209	Bearing
18	951-12212	Pinion Cover
19	951-12214	Bearing 6001Zz
20	951-12215	Starter Armature
21	951-12216	Bearing

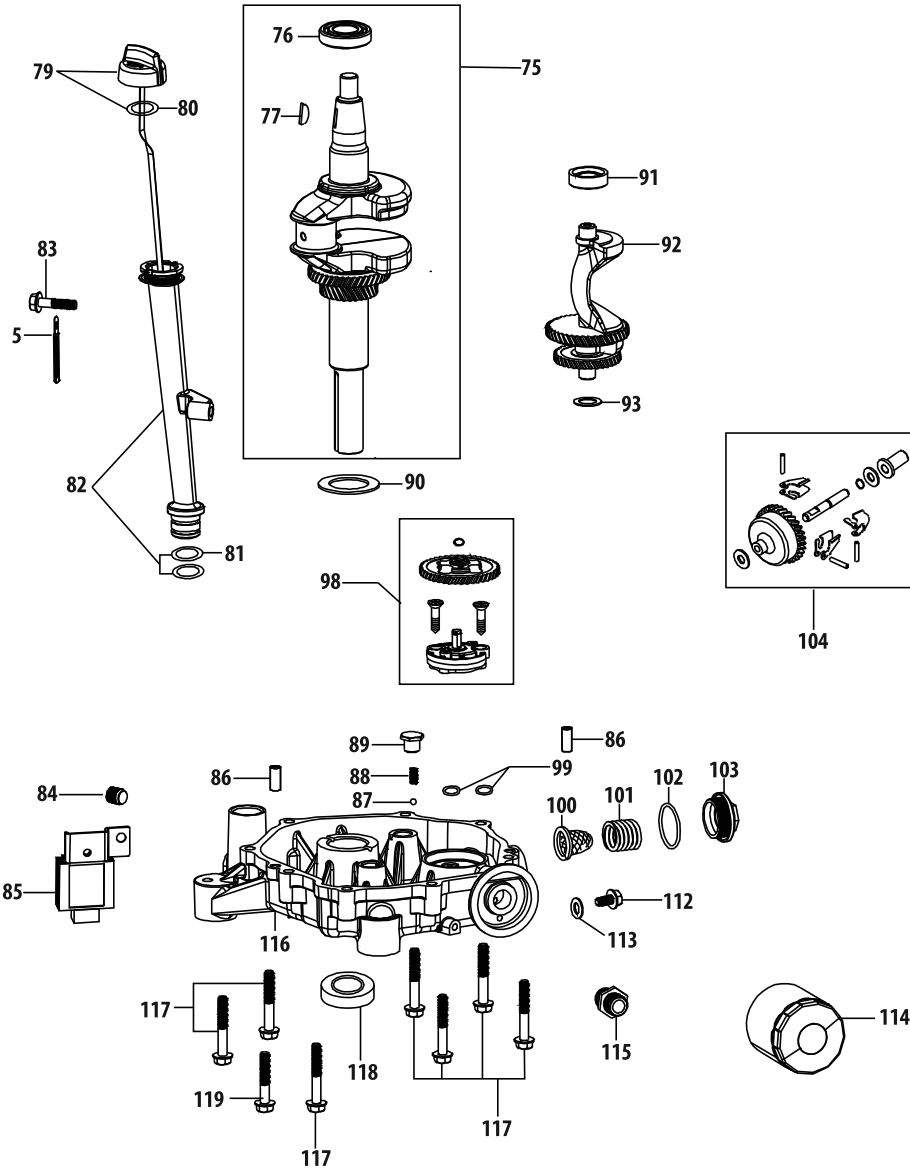
Ref.	Part Number	Description
22	951-12528	Starter Housing Assembly
24	951-12217	Screw
25	736-04554	Lock Washer
26	951-12529	Brush Assembly
29	951-12219	Electrical Starter Back Cover
30	710-05308	Bolt M6×100
31	710-05309	Bolt M6×30 Assembly
32	951-12324	Waterproof Washer
33	736-04555	Insulation Washer
34	736-04556	Plain Washer 6
35	736-04477	Lock Washer 6
36	712-04212	Nut M6
37	715-04120	Dowel Pin 10×14

# 4P90HUA Engine Shroud



Ref.	Part Number	Description
1	951-12205	Debris Shield
2	712-04290	Nut
3	750-05320	Engine Shroud Spacer
4	951-14454	Starter / Shroud Stud M6×99
5	951-11622	Flexible Clamp
6	710-05305	Hook Bolt
7	951-14455	Air Shield
182	710-05303	Self-Tapping Bolt 5.5×25

# 4P90HUA Crankshaft & Crankcase Cover



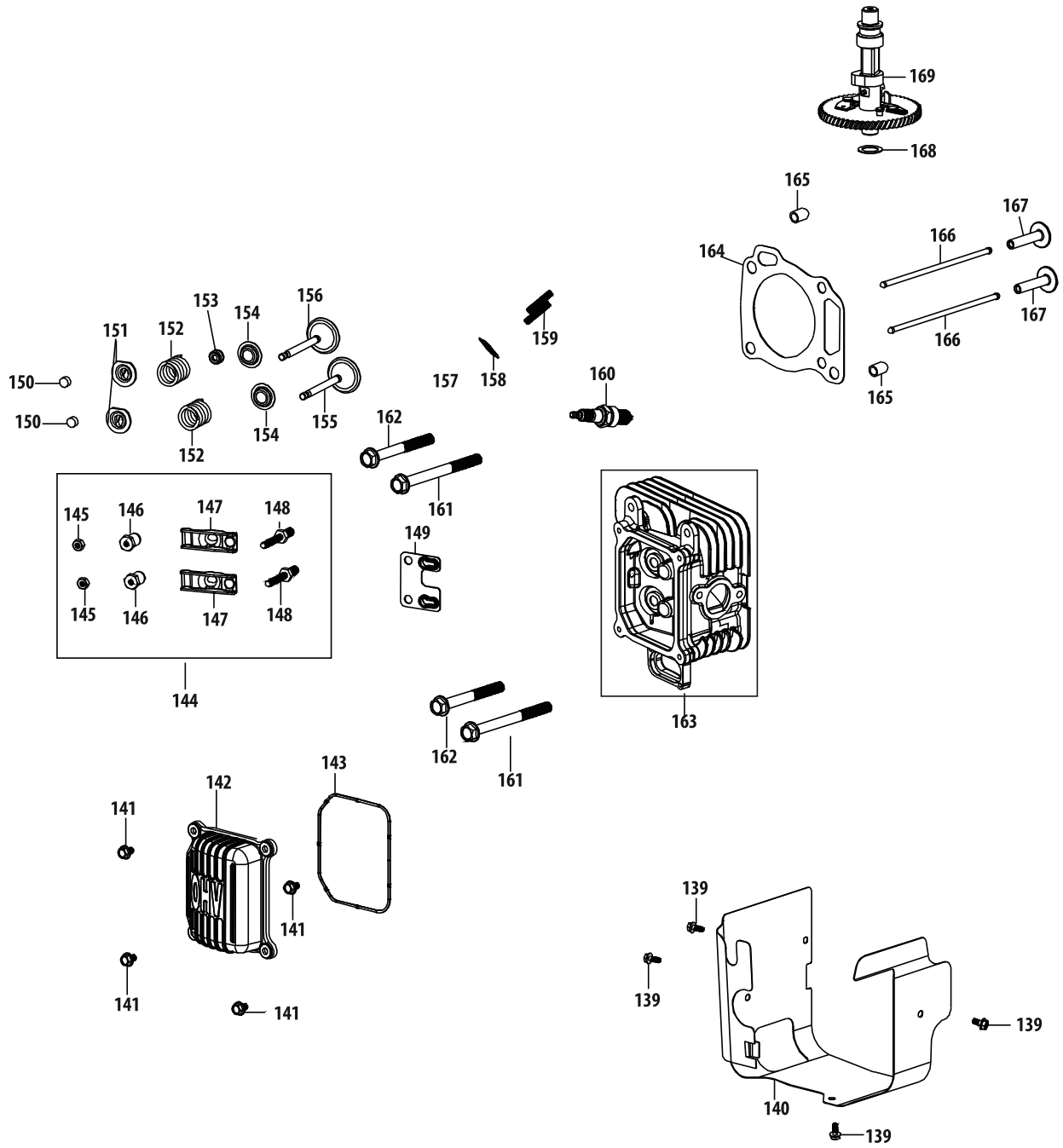


## 4P90HUA Crankshaft & Crankcase Cover

Ref.	Part Number	Description
5	951-11622	Flexible Clamp
75	951-12238	Crankshaft Assembly
76	951-11969	Main Bearing
77	951-10307	Woodruff Key
79	951-12239	Dipstick Assembly
80	951-12241	Upper O-Ring
81	951-12363	Lower O-Ring
82	951-12240	Oil Fill Tube Assembly
83	710-04980	Bolt M6×35
84	951-11644	Oil Drain Plug
85	951-12242	Regulator
86	715-04121	Dowel Pin 8×14
87	951-12243	Ball 6.35
88	951-12244	Spring
89	710-05312	Bolt
90	736-04557	Crankshaft Thrust Washer
91	951-12245	Balanceable Shaft Bearing

Ref.	Part Number	Description
92	751-12246	Balanceable Shaft Assembly
93	736-04559	Balanceable Thrust Washer
98	951-12248	Oil Pump Assembly
99	951-12247	O-Ring 10×2.65
100	951-12249	Filter
101	951-12250	Filter Spring
102	951-12251	O-Ring 35.5×2.65
103	951-12252	Filter Cover
104	951-11956	Governor Gear/Shaft Assembly
112	710-05313	Bolt M8×15
113	736-04560	Oil Drain Plug Washer
114	951-12690	Oil Filter
115	951-12253	Screw Joint
116	919-05090	Crankcase Cover
117	710-04982	Bolt M8×54
118	951-11375	Lower Crankshaft Seal
119	710-05314	Bolt M8×43

# 4P90HUA Cylinder Head

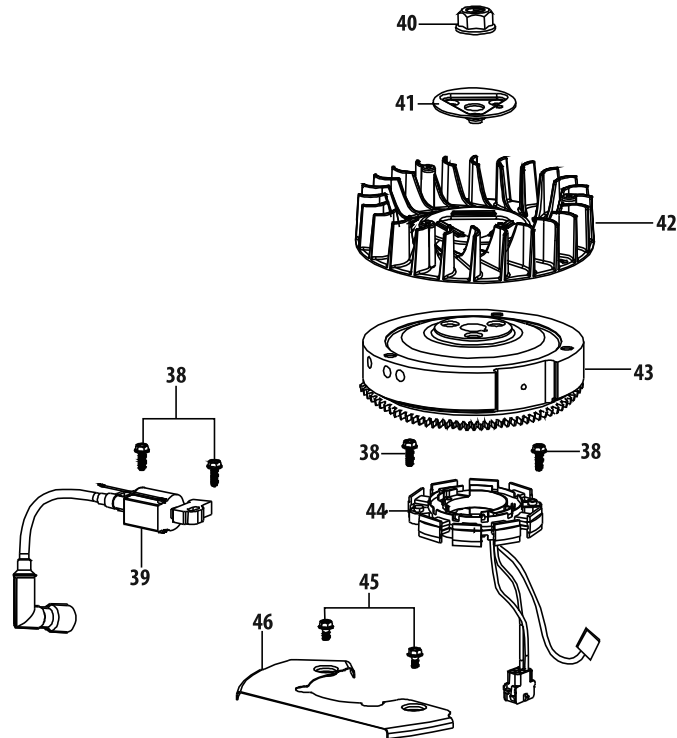


## 4P90HUA Cylinder Head

Ref.	Part Number	Description
139	710-05315	Bolt M5×10
140	951-12265	Cowl
141	710-05316	Valve Cover Bolt
142	951-12266	Valve Cover
143	951-12267	Valve Cover Ring
144	951-11981	Rocker Arm Assembly
145	751-11124	Jam Nut
146	751-11123	Fulcrum Nut
147	951-11966	Rocker Arm
148	710-04962	Rocker Arm Stud
149	951-12268	Push Rod Guide
150	951-12269	Exhaust Valve Adjuster
151	951-12080	Exhaust Valve Spring Retainer
152	951-12078	Valve Spring
153	951-11964	Intake Valve Seal
154	951-12077	Valve Spring Retainer

Ref.	Part Number	Description
155	951-11337	Valve Kit
156	951-11337	Valve Kit
157	712-04219	Nut M8
158	951-12271	Exhaust Pipe Gasket
159	951-14459	Muff Stud M8×47
159	951-14464	Muffler Stud Assembly
160	951-10292	Spark Plug/F6Rtc
161	710-05317	Bolt M10×1.25×85
162	710-05318	Bolt /M10×1.25×65
163	951-14706	Cylinder Head
164	951-12273	Cylinder Head Gasket
165	715-04122	Cylinder Head Dowel 12×16
166	951-11335	Push Rod Kit
167	951-11962	Tappet
168	736-04561	Camshaft Thrust Washer
169	951-12274	Camshaft Assembly

# 4P90HUA Ignition & Electrical



Ref.	Part Number	Description
38	710-04931	Bolt M6×28
39	951-12220	Ignition Coil Assembly
40	712-04220	Flywheel Nut M16×1.5
41	951-12221	Plate
42	951-12222A	Cooling Fan
43	919-05089	Flywheel
44	951-12224	Coil Assy. Charge
45	710-04940	Bolt M6×10
46	951-12279	Cowl









To order replacement parts or locate your nearest service dealer call a Customer Support at (800) 800-7310.  
or visit [www.mtdproducts.com](http://www.mtdproducts.com) to find the nearest authorized dealer in your area.

---

**MTD LLC, P.O. BOX 361131 CLEVELAND, OHIO 44136-0019**

---